

2011 Chevrolet Impala Police Package

Keys, Doors and Windows ...	1-1
Keys and Locks	1-1
Seats and Restraints	2-1
Airbag System	2-1
Instruments and Controls	4-1
Warning Lights, Gauges, and Indicators	4-2
Lighting	5-1
Exterior Lighting	5-1

Driving and Operating	8-1
Driving Information	8-1
Starting and Operating	8-1
Towing	8-2
Vehicle Care	9-1
Vehicle Checks	9-1
Wheels and Tires	9-1
Technical Data	11-1
Vehicle Data	11-1

Special Equipment	
Options	15-1
SEO Standard Options	15-2
SEO Available Options	15-11
Index	i-1



The names, logos, emblems, slogans, vehicle model names, and vehicle body designs appearing in this manual including, but not limited to, GM, the GM logo, CHEVROLET, the CHEVROLET Emblem, IMPALA, and the IMPALA Emblem are trademarks and/or service marks of General Motors LLC, its subsidiaries, affiliates, or licensors.

The information in this manual supplements the owner manual. This manual describes features that may or may not be on your specific vehicle either because they are options that you did not purchase or due to changes subsequent to the printing of this owner manual. Please refer to the purchase documentation relating to your specific vehicle to confirm each of the features found on your vehicle. For vehicles first sold in Canada, substitute the name "General Motors of Canada Limited" for Chevrolet Motor Division wherever it appears in this manual.

Keep this manual in the vehicle for quick reference.

Canadian Vehicle Owners

Propriétaires Canadiens

A French language copy of this manual can be obtained from your dealer or from:

On peut obtenir un exemplaire de ce guide en français auprès du concessionnaire ou à l'adresse suivante:

Helm, Incorporated
P.O. Box 07130
Detroit, MI 48207

1-800-551-4123
Numéro de poste 6438 de langue
française
www.helminc.com

Using this Supplement

This supplement contains information specific to the unique components of the vehicle. It does not explain everything you need to know about the vehicle. Read this supplement along with the owner manual to learn about the vehicle's features and controls.

Index

A good place to look for what you need is the Index in back of this supplement. It is an alphabetical list of what is in the supplement, and the page number where you will find it.

Keys, Doors and Windows

Keys and Locks

Specific Cylinder Unit for Single
Key - Random Code
System 1-1

Keys and Locks

Specific Cylinder Unit for Single Key - Random Code System

If the vehicles are equipped with one of these options, the entire fleet of vehicle locks can be operated with one key.

- SEO 6E2-Specific Fleet Key Code
- SEO 6E8-Specific Fleet Key Code

The vehicle will be equipped with a standard production random key code if one of the optional fleet codes was not ordered.

For specific key code information, contact your dealer.

The vehicle will be equipped with a key cylinder in the ignition lock, the driver door, and trunk lid. Remote keyless entry (RKE) is a standard feature and operates all other doors and the trunk lid. Six additional RKE transmitters may have been ordered with your vehicle. See your dealer for additional information regarding availability of more RKE units for the vehicle.

The RKE transmitter for the police vehicle has the vehicle locator/panic alarm button disabled. The horn will not sound and the exterior lights will not flash when the button is pressed.

1-2 Keys, Doors and Windows

Remote Keyless Entry Transmitter Programming – SEO AMF

Do not operate or program the transmitters in the vicinity of other vehicles that are in the keyless entry program mode. This prevents the programming of the transmitters to the incorrect vehicle.

Up to eight transmitters may be programmed to the RKE on police package equipped vehicles. The first four transmitters are given the position of #1 - #4 in the RKE. Any further transmitters will also be assigned to position #4.

Verify that the proper transmitters are learned to the vehicle. Do not learn a transmitter with a remote start button to a vehicle that does not have remote start.

For the proper procedure to be used for learning transmitters, see your dealer.

Trunk Lid Keylock Cylinder

The vehicle has a keylock cylinder in the trunk lid.

If the vehicle is equipped with the theft-deterrent system (Option UA6), an audible alarm will occur when the key is used to open the trunk instead of the remote keyless entry (key fob). See your dealer to disable the audible alarm.

Seats and Restraints

Airbag System

Questions and Answers About
 Airbags and Specialty Law
 Enforcement Vehicles 2-1
 Notices for Customer Installed
 Equipment 2-3
 Airbag Deployment
 Diagrams 2-4

Airbag System

Questions and Answers About Airbags and Specialty Law Enforcement Vehicles

Q: Can equipment such as radar devices, video cameras, and radio trees be mounted in a specialty vehicle equipped with a right front passenger frontal airbag?

A: Yes, but care must be taken to properly mount the equipment outside of the airbag “deployment zone.”

Q: What is the airbag “deployment zone”?

A: The term “deployment zone” describes the space an airbag takes up when fully inflated. Airbags need room to work properly, and anything in the “deployment zone” — such as

improperly mounted equipment — can greatly affect the performance of the airbag.

 **WARNING**

Airbags inflate with great force, faster than the blink of an eye. No objects, such as shotguns, should be placed over or near the airbag covers. Equipment mounted too close to an inflating airbag could break and become a dangerous projectile in a crash, causing injury to the vehicle's occupants. Also, an object too close to an inflating airbag could prevent the airbag from operating properly. If this ever happens, the airbag would not be able to protect occupants the way it was designed to. To help prevent injury and to allow the airbag to perform as it was designed, do not mount equipment inside the airbag deployment zone.

2-2 Seats and Restraints

Q: How can I identify the airbag “deployment zone” in my vehicle?

A: See *Airbag Deployment Diagrams* on page 2-4 or more information. The diagrams provide the approximate dimensions of the “deployment zones” for your specialty vehicle. Before doing any service work, including the installation of any equipment, consult the appropriate service manual.

Q: Is it possible to shield equipment so it does not interfere with airbag deployment?

A: While shielding may protect certain equipment from being damaged or dislodged, it may also negatively affect how an airbag inflates. Therefore, we cannot recommend the placement of any equipment in the deployment zone, even when shielding.

Q: Can the installation of push bumpers on the front end of the vehicle affect the deployment of the airbag?

A: It is not likely that installing push bumpers will affect sensing for the airbag as long as the vehicle structure itself is not modified. GM is not aware of any adverse defects from the many push bumpers that have been installed on current model GM police vehicles with airbags.

Q: Is there anything I might add to the front or sides of the vehicle that could keep the airbags from working properly?

A: Yes. If you add things that change your vehicle’s frame, bumper system, height, front end or side sheet metal, they may keep the airbag system from working properly. Also, the airbag system may not work

properly if you relocate any of the airbag sensors. If you have any questions about this, you should contact Customer Assistance before you modify your vehicle. The phone numbers and addresses for Customer Assistance are in Step Two of the Customer Satisfaction Procedures in the owner manual. See “Customer Satisfaction Procedure” in the owner manual Index.

The service manual has information about the location of the airbag sensors, sensing and diagnostic module, and airbag wiring. See “Service Publications Ordering Information” in the owner manual.

Notices for Customer Installed Equipment

Read the following notices before installing equipment on the specialty vehicle.

Notice: GM-approved service procedures must be followed to remove and reinstall the instrument panel to the pad in order to ensure proper airbag deployment.

Notice: Equipment mounted to the instrument panel top pad must not exceed 8.0 lb (3.6 kg).

Notice: In order not to restrict upward movement of the driver's side instrument panel top pad when the airbag deploys, equipment should be securely mounted only to the top pad.

Notice: Do not place equipment on the passenger's side of the instrument panel top pad because the edge of it rises when the airbag deploys.

Notice: Do not mount equipment on the passenger side of the instrument panel top pad deployment zone. Equipment should not be mounted on or around the passenger airbag opening because of a deploying airbag. To allow the airbag to perform as it was designed, do not mount equipment inside the airbag deployment zone.

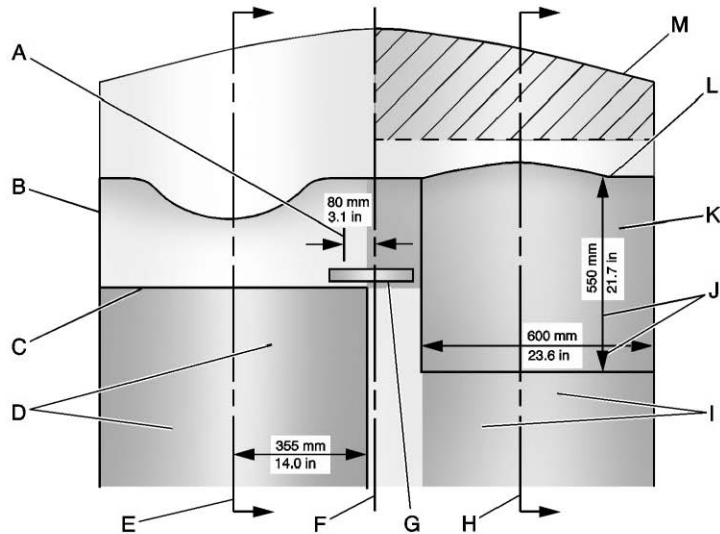
Notice: Passenger airbag contacts inside rearview mirror at the beginning of deployment. Video cameras and other small equipment should be securely mounted outside the airbag zone.

Notice: The police vehicle has roof-rail airbags. Do not mount a security barrier such that the ends of the barrier or brackets are within the roof-rail deployment zones.

Notice: Avoid installing wiring for roof-rail emergency lighting or radio antennas that may restrict the proper deployment of the roof-rail airbags.

Notice: The police vehicle has seat-mounted side impact airbags for the driver and passenger front seat positions. Restricting the cover from opening prevents proper deployment of the seat-mounted side impact airbag. Do not cover or restrict the seat-mounted side impact airbag cover located on the outboard side of the seatback.

Airbag Deployment Diagrams



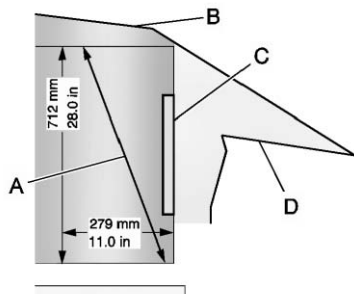
Top View of Instrument Panel and Approximate Deployment Area of the Airbag Zone

- A. Shift Selector Arc
- B. Driver Side Door
- C. Front of Steering Wheel (In Maximum Downward Position)
- D. Driver Airbag Deployment Zone
- E. Driver Centerline (Also See Side View)
- F. Vehicle Centerline
- G. Inside Rearview Mirror
- H. Passenger Centerline (Also See Side View)

- I. Passenger Airbag Deployment Zone
- J. Approximate Maximum Dimension of Inflated Airbag
- K. Passenger Side Door
- L. Rear Edge of Instrument Panel Top Pad
- M. Zone from Instrument Panel Top to Windshield

See Notices for Customer Installed Equipment on page 2-3 or more information.

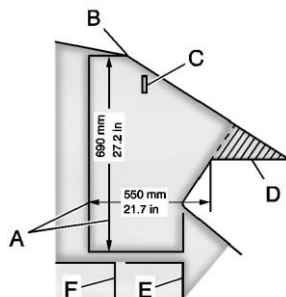
2-6 Seats and Restraints



Side View of Driver Side Airbag Deployment Zone – Centerline of Driver

- A. Driver Airbag Deployment Zone
- B. Top of Windshield
- C. Front of Steering Wheel (Maximum Downward Position)
- D. Top of Instrument Panel

See *Notices for Customer Installed Equipment* on page 2-3 or more information.

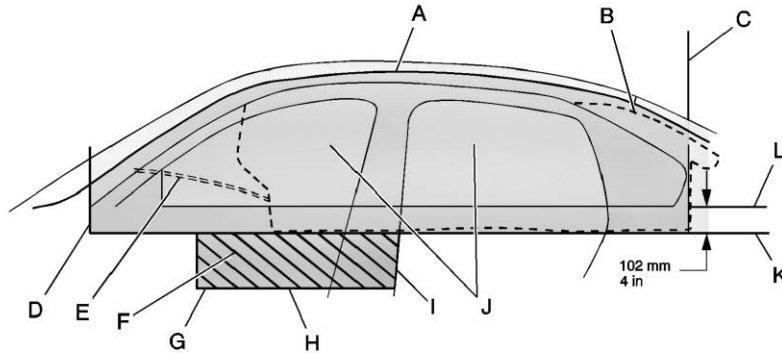


Side View of Passenger Side Airbag Deployment Zone – Centerline of Passenger

- A. Passenger Airbag Deployment Zone
- B. Top of Windshield
- C. Inside Rearview Mirror

- D. Top of Instrument Panel
- E. Passenger Seat in Foremost Position
- F. Passenger Seat in Rearmost Position

See *Notices for Customer Installed Equipment* on page 2-3 or more information.



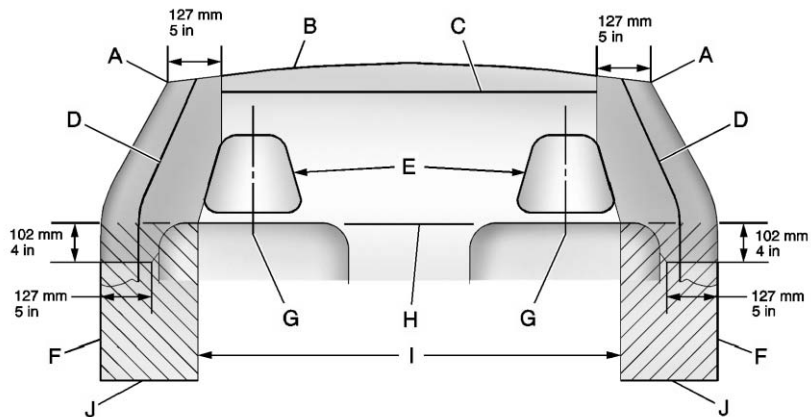
- E. Forward Airbag Tether Line
- F. Seat-mounted Side Impact Airbag Deployment Zone
- G. Door Handle Front End
- H. Groove in Front Door Armrest
- I. Pillar Trim
- J. Approximate Shape of Deployed Airbag at Maximum Size
- K. Bottom of Deployment Zone
- L. Bottom of Door Windows

See *Notices for Customer Installed Equipment* on page 2-3 or more information.

Roof Rail and Seat-mounted Side Impact Airbags Maximum Deployment Zone – Driver Side Shown, Passenger Side Similar

- | | |
|---|--|
| <ul style="list-style-type: none"> A. Top of Deployment Zone – Along Roof Rail at Edge of Headliner B. Airbag Inflator Location on Sail Panel | <ul style="list-style-type: none"> C. Back of Deployment Zone – At Rear of Quarter Window D. Front of Deployment Zone – At Front of Outside Mirror Patch |
|---|--|

2-8 Seats and Restraints



Roof Rail and Seat-mounted Side Impact Airbags Driver and Passenger Deployment Zones – View from Rear Seat

- A. Edge of Headliner
- B. Underside of Headliner
- C. Roof Rail Airbag Deployment Zone

- D. Inner Center Pillar Trim
- E. Headrest
- F. Inner Door Pad

- G. Seat Centerline
 - H. Bottom of Door Windows
 - I. Seat-mounted Side Impact Airbag Deployment Zone – Front Seat
 - J. Groove in Front Door Armrest
- See *Notices for Customer Installed Equipment* on page 2-3 or more information.

Instruments and Controls

Warning Lights, Gauges, and Indicators

Instrument Cluster 4-2

Warning Lights, Gauges, and Indicators

Instrument Cluster



English Certified Cluster, Metric Similar

The words CERTIFIED SPEEDOMETER will flash in the Driver Information Center (DIC) display for approximately two seconds when the engine is started. The DIC can be set to display digital vehicle speed while the vehicle is being driven. See your owner manual for more information on the DIC.

Lighting

Exterior Lighting

Exterior Lamp Controls 5-1

Exterior Lighting

Exterior Lamp Controls

Police Package and Special Service Package

The following exterior lighting features apply to vehicles first sold in the United States.

The vehicle has Daytime Running Lamps (DRL) and an Automatic Headlamp System (AHS). The DRL and AHS can be turned to OFF with the headlamp switch when the transmission is in P (Park) and the engine is at idle. If the engine is not turned off, the DRL and AHS will remain OFF when the transmission is placed in gear. The vehicle may be driven with the lamps off for one ignition cycle.

The vehicle may have been built with SEO 9G8, DRL AND AHS DISABLE. This feature turns off DRL and AHS and requires manual

control of the exterior lighting. See your dealer to restore the DRL and AHS to normal operation.

For vehicles first sold in Canada, the DRL and AHS can be turned off if the transmission is in P (Park). See the owner manual for more information.

Special Features

Police Package and Special Service Package

The following standard features are disabled in the Police Package and Special Service Package.

- Entry Lighting and Exit Lighting
- Remote Keyless Entry Feedback: Horn Beep and Lamps Flash
- Automatic Door Locking

Driving and Operating

Driving Information

Vehicle Load Limits 8-1

Starting and Operating

Fast Idle System 8-1

Towing

Trailer Towing 8-2

Driving Information

Vehicle Load Limits

Impala police vehicles may have a full-size spare tire. If the full-size spare tire is stored in the trunk of your vehicle, do not carry more than 64 kg (141 lbs) in the trunk. See "Loading Your Vehicle" in your owner's manual Index.

Starting and Operating

Fast Idle System

While parked with the engine idling for an extended period, turn off the following factory equipment if emergency lighting and communication equipment are operating:

- Air Conditioner
- Fan
- Rear Window Defogger
- Factory Audio System

8-2 Driving and Operating

When the automatic transmission is in P (Park), the driver's foot is off the brake, and the emergency equipment is turned on, the engine rpm may increase to 1200 rpm to keep the electrical power of the vehicle at a steady rate. Even with the extra power boost, the vehicle may stall after long periods of time with a heavy electrical load.

See "Running the Vehicle While Parked" in the Driving and Operating section of the owner manual for more information.

Towing

Trailer Towing

Impala police vehicles are not intended to tow a trailer.

Vehicle Care

Vehicle Checks

Brakes 9-1

Wheels and Tires

Tire Pressure Monitor
System 9-1
Full-Size Spare Tire
(SEO N81) 9-2

Vehicle Checks

Brakes

All Impala police vehicles have the Antilock Brake System (ABS). Many of the components of the brake system used on the Impala police vehicle are unique to the vehicle. Before doing any service work, consult the appropriate service manual.

See “Brakes” in the owner manual for additional information on the brake system.

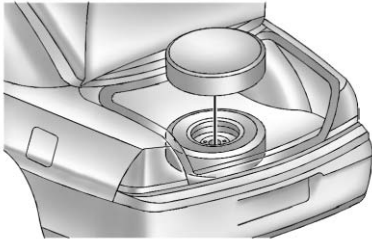
Wheels and Tires

Tire Pressure Monitor System

The Impala full-size spare includes a sensor for the Tire Pressure Monitor System (TPMS). The compact spare tire/wheel, which is standard with the Impala Police Package, does not include a TPMS sensor. The TPMS will not monitor or display the spare tire air pressure until the tire/wheel is installed at one of the four tire/wheel positions on the vehicle.

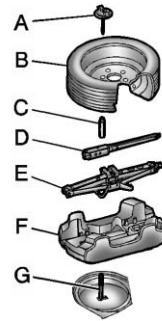
Once installed, the spare tire sensor code must be matched to the new position on the vehicle. See “Tire Pressure Monitor System Operation” in the Owner Manual Index for information about matching the spare tire to the TPMS.

Full-Size Spare Tire (SEO N81)



Impala police vehicles may be equipped with a full-size spare tire instead of the standard compact spare. When the full-size spare tire option is ordered, the tire is equipped with a vinyl cover and a surrounding trunk mat. See *Vehicle Load Limits on page 8-1* for more information.

Refer to the following diagram as a guide for storing the full-size spare tire in the trunk. For more information on spare tire storage and changing a flat tire, see "Tire Changing" in the Vehicle Care section of your owner manual.



Full-Size Spare Tire

- A. Retainer
- B. Full-Size Spare Tire
- C. Extension Bolt Screw
- D. Wheel Wrench
- E. Jack
- F. Foam Holder
- G. Bolt Screw

Technical Data

Vehicle Data

Trim Heights	11-1
Capacities and Specifications	11-2

Vehicle Data

Trim Heights

All Impala police vehicles should have the front and rear trim heights checked after the installation of customer furnished equipment. Consult the appropriate service manual for more trim height information.

11-2 Technical Data

Capacities and Specifications

The following approximate capacities are given in metric and English conversions.

Application	Capacities	
	Metric	English
Air Conditioning Refrigerant	For the air conditioning system refrigerant charge amount, see the refrigerant label located under the hood. See your dealer for more information.	
Cooling System	10.0L	10.6 qts
Engine Oil with Filter	4.8L	5.1 qts
Transmission Fluid (Bottom Pan Removal)	7.5L	7.9 qts
All capacities are approximate. When adding, be sure to fill to the approximate level, as recommended in this manual.		

Special Equipment Options

SEO Standard Options

SEO Standard	
Options - Police Package and Special Service Package	15-2
Power Steering/Engine Oil Cooling System	15-2
Trunk Ground Stud	15-3
Wiring Provisions for 12-Volt Battery Power Supply	15-4
Auxiliary Battery Power Junction Blocks	15-8
Heavy Duty Cooling System	15-10
Radios	15-10
Seats	15-10
Trunk Mat	15-10

SEO Available Options

SEO Available	
Options - Police Package and Special Service Package	15-11
Auxiliary Dome Lamp - SEO 6C7	15-12
Dome Lamp Inoperative Function - SEO 7Y6	15-12
Inoperative Rear Door Handles - SEO 6B2	15-12
Inoperative Rear Door Locks - SEO 6N6	15-12
Exterior Lamp	
Emergency Flashing System - SEO 6J7	15-13
Heavy Duty Floor Covering - SEO 6A3	15-15
Ignition Control Trunk Release - SEO A98	15-15
Rear Panel	
Lamps - SEO 6J6	15-15
Rear Windows	
Inoperative - SEO 6N5	15-15

Spotlamp - SEO 7X6	15-15
Wiring Provisions for Vehicle Grille Lamps, Flasher and Speaker/ Siren - SEO 6J3	15-16
Spotlamp	
Provisions - SEO 7X8	15-18
Spotlamp	
Provisions - SEO 7X9	15-18
Spotlamps - SEO 7X7	15-18
Trunk Lid Warning Lamps - SEO T53	15-19
Wiring Provisions for Horn/Siren Circuit - SEO 6J4	15-19
Wiring Provisions for Roof-Mounted Accessories - SEO 6F5 ...	15-21
Wiring Provisions Front Speakers - SEO WX7	15-23
Wiring Provisions	
Rear Coaxial Cable - SEO 6C8	15-26

SEO Standard Options

SEO Standard Options - Police Package and Special Service Package

Notice: GM cannot be responsible for any changes made to the vehicle. Have all electrical and body modifications performed by experienced technicians.

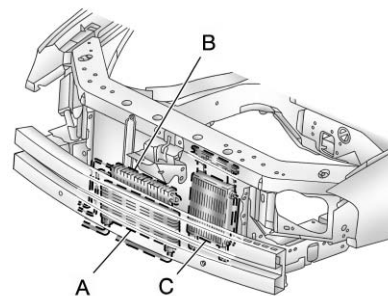
- Be sure that any modified or added wiring will work properly with your vehicle's wiring system.
- See that all wiring is properly protected by fuses, and not causing an overload to connectors and components.

- Do not route wiring in areas of the vehicle where temperatures can be high or where wiring may be cut, pinched, or rubbed.
- See that all added wiring is of the same or larger gauge than the wire it is being attached to for proper fuse protection.
- Be sure that all holes drilled in the body are properly sealed and corrosion protected. See that the vehicle's wiring harnesses, piping, and other components have not been displaced or damaged during customer installations of equipment and wiring.
- Do not route wiring or equipment which could interfere with roof-mounted side impact airbags.

Notice: Overloading the vehicle's electrical system may damage your vehicle's accessories.

Do not overload the vehicle's system by having unnecessary accessories on at the same time.

Power Steering/Engine Oil Cooling System

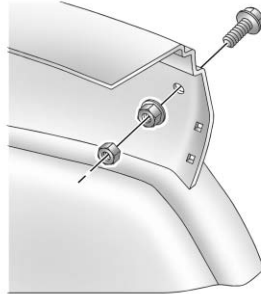


- A. Engine Oil Cooler
- B. Power Steering Cooler
- C. Transmission Fluid Cooler

Your Impala police vehicle is equipped with auxiliary fin-type air-to-oil coolers mounted in front of the engine coolant radiator.

The engine oil and power steering fluid coolers are mounted on a common frame to the right of center. The transmission fluid cooler is mounted separately to the left of center and provides fluid cooling in addition to the coolant radiator end-tank cooling.

Trunk Ground Stud

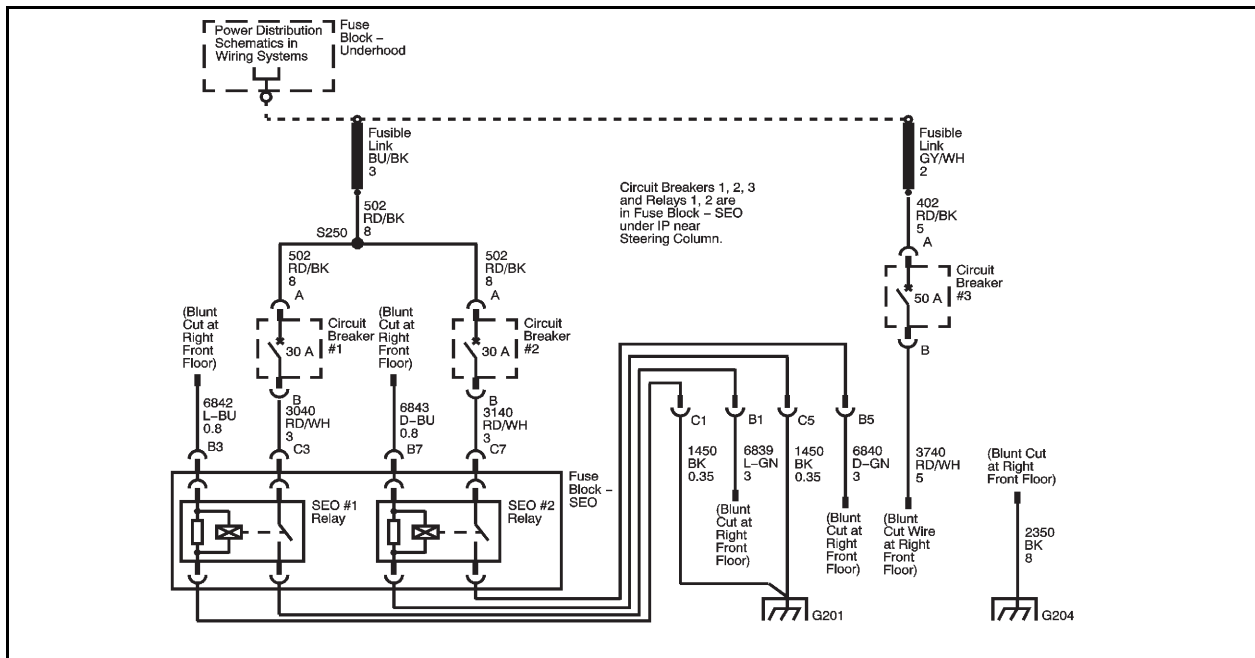


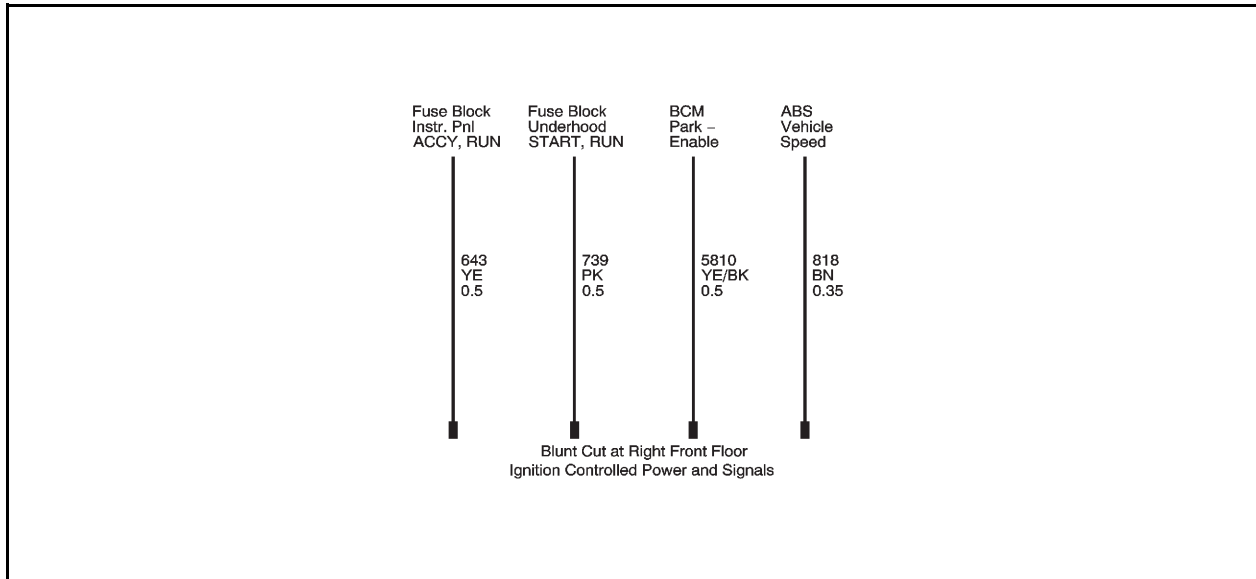
A 10 mm ground stud can be found in the trunk on the passenger side of the vehicle. The stud is located above the trunk auxiliary junction block. See "Trunk Auxiliary Battery Power Junction Block" that follows for more information on location.

A 10 mm flanged hex nut grounds the 10 mm bolt to the vehicle. Recommended torque for the flanged nut is 35 N·m (26 lb ft), plus or minus 5 N·m (4 lb ft). A 10 mm hex nut is provided for customer ground termination. Recommended torque for the terminal connection nut is 10 N·m (7.3 lb ft), plus or minus 1.3 N·m (1 lb ft).

15-4 Special Equipment Options

Wiring Provisions for 12-Volt Battery Power Supply





15-6 Special Equipment Options

Battery power is supplied through two fusible links, one 50 amp and one 65 amp, to three circuit breakers and two control relays located in the relay center above the accelerator pedal. For location information, see “Servicing Relays and Circuit Breakers” in the Index. A 50 amp circuit breaker feeds power directly from the 50 amp fusible link through a 5.0 mm² (10 gauge) blunt cut wire.

Two 30 amp circuit breakers supply power from the 65 amp fusible link through the contacts of the control relays to 3.0 mm² (12 gauge) blunt cut wires. The blunt cut leads are part of a 1.5 m (5 ft) loop of wire coiled under the instrument panel in the front passenger side footwell.

Each relay is operated by an 0.8 mm² (18 gauge) blunt cut, light or dark blue control lead included in the 1.5 m (5 ft) coil under the instrument panel. An 8.0 mm² (8 gauge) ground lead is also provided in the 1.5 m (5 ft) coil. The total current available through the 12-volt power supply is 110 amps (1320 watts).

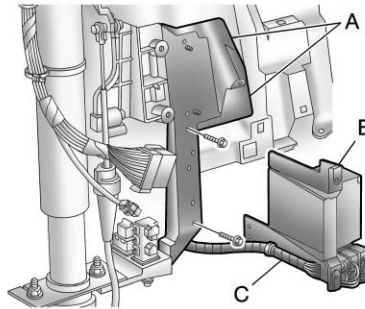
Blunt cut ignition controlled power and signal circuits are also included in the following 1.5 m (5 ft) right foot loop:

- A yellow, 0.5 mm² (20 gauge) 10 amp fused circuit, Hot in ACC/ACCESSORY, ON/RUN or RAP (Retained Accessory Power). The fuse for this circuit is labeled “RAP” and is located in the fuse block in the front passenger side instrument panel.
- A pink, 0.5 mm² (20 gauge) 10 amp fused circuit, Hot in START and ON/RUN. The fuse for this circuit is labeled “PWR DROP/CRANK” and is located in the underhood fuse block in the engine compartment.

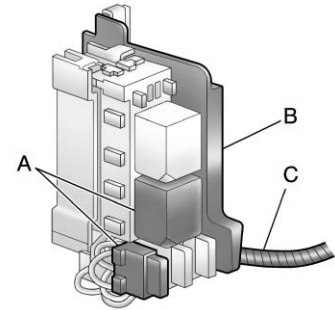
- A yellow/black, 0.5 mm² (20 gauge) transaxle park signal from the Body Control Module (BCM). The circuit provides a switched power when the transaxle is not in PARK (P) and the engine is running. The electrical load attached to the park circuit must not exceed 0.5 amps and is meant to drive one relay coil.
- A brown, 0.35 mm² (22 gauge) vehicle speed signal (4,000 pulses/mile) from the ABS module. Connect only high impedance load.

Servicing Relays and Circuit Breakers

The following information shows you where the relays and circuit breakers are located in the Fuse Block-SEO.



- A. Instrument Panel Carrier
- B. Relay Center for Circuit Breakers and Control Relay
- C. Instrument Panel Harness Branch



Enlarged View of the SEO Fuse Block

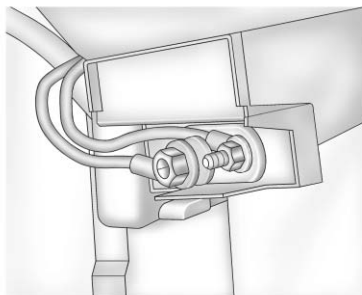
- A. Relays and Circuit Breakers
- B. Front of the Vehicle
- C. Floor of the Vehicle

15-8 Special Equipment Options

Auxiliary Battery Power Junction Blocks

The auxiliary battery power junction block is mounted in the trunk of your Impala police vehicle. It is located on the passenger side support strut behind the rear wheel housing.

This junction block is split to provide two circuits and can be used to connect customer-furnished equipment directly to the battery through 8.0 mm² (8 gauge) body wiring and fusible links. A maximum of 100 amps (1200 watts) can be connected. Torque the connections to the studs to 15 N·m (11 lb ft). It is fed by two fusible links of 50 amps each.

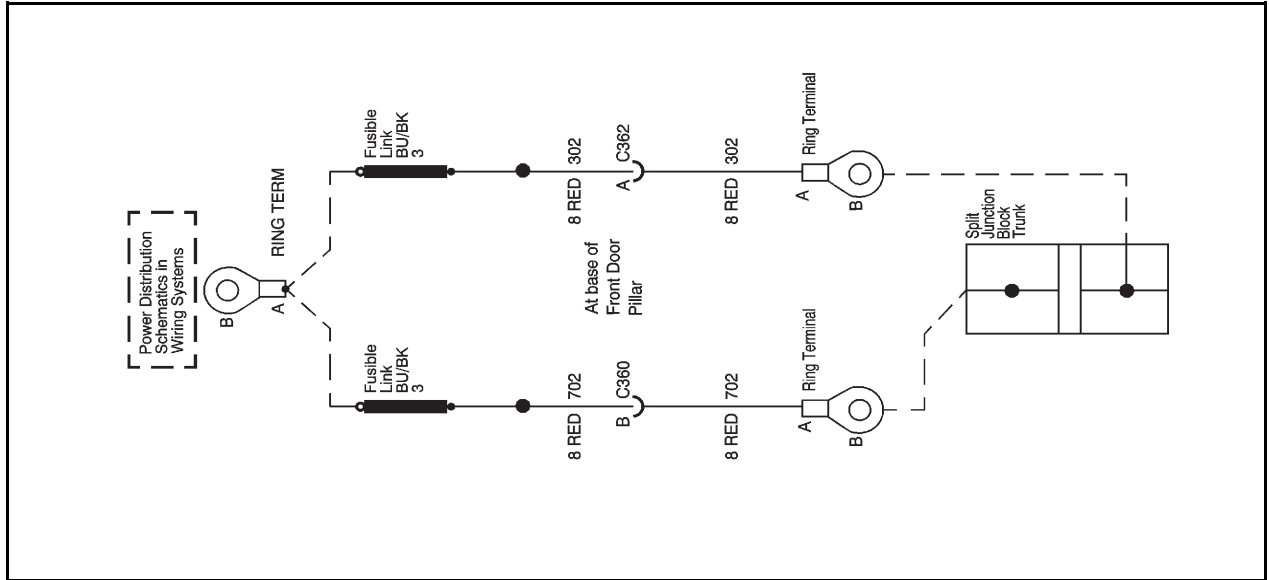


To connect the customer-furnished equipment at the junction block, use the following steps:

1. Disconnect the negative (-) battery cable.
2. Connect the customer-furnished equipment positive leads to the junction block terminals and tighten to 15 N·m (11 lb ft).

The ignition must be turned off and the vehicle vacated prior to connecting the negative (-) battery cable to the battery.

3. Reconnect the negative (-) battery cable to the battery.
4. Set the time on the clock and radio pushbuttons as needed. See "Audio Systems" in the Infotainment section of your owner manual for more information.



Wiring Diagram for Trunk Auxiliary Battery Power Junction Block

Heavy Duty Cooling System

A high capacity radiator and fan replace the standard cooling system. Refer to the owner manual for more information on the cooling system.

Radios

Chime Level Adjustment

Impala police vehicles are equipped with a radio that provides an AM-FM stereo with a CD player. The radio produces the required warning chimes for the vehicle. The volume level of the chimes can be adjusted to be louder, but cannot be turned off.

The sound for the warning chimes is directed to the left front door speaker. When SEO WX7 (wiring provisions for the front speakers) is installed, the sound is directed to the left rear speaker.

See “Climate Controls” and “Audio Systems” in your owner’s manual to adjust the chime volume or contact your dealer for assistance.

Radio Suppression

Impala police vehicles are equipped with spark plugs and spark plug wires designed to reduce radio interference noise levels which may affect communication equipment, including operating frequencies in the 38 MHz to 58 MHz range.

Seats

Impala SEO 9C1 police vehicles are equipped with high-density foam front seats that have security panels in the seatbacks and a high-density foam rear seat cushion and seatback.

Trunk Mat

A heavy duty vinyl mat covers the trunk floor in vehicles equipped with either a compact or full-size spare tire.

SEO Available Options

SEO Available Options - Police Package and Special Service Package

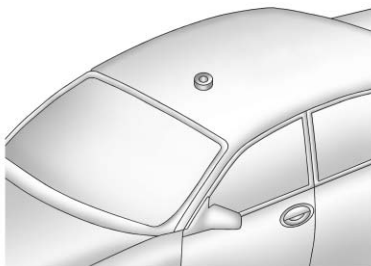
Notice: GM cannot be responsible for any changes made to the vehicle. Have all electrical and body modifications performed by experienced technicians.

- Be sure that any modified or added wiring will work properly with your vehicle's wiring system.

- See that all wiring is properly protected by fuses, and not causing an overload to connectors and components.
- Do not route wiring in areas of the vehicle where temperatures can be high or where wiring may be cut, pinched, or rubbed.
- See that all added wiring is of the same or larger gauge than the wire it is being attached to for proper fuse protection.
- Be sure that all holes drilled in the body are properly sealed and corrosion protected. See that the vehicle's wiring harnesses, piping, and other components have not been displaced or damaged during customer installations of equipment and wiring.
- Do not route wiring or equipment which could interfere with roof-mounted side impact airbags.

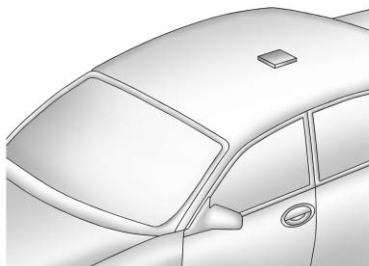
15-12 Special Equipment Options

Auxiliary Dome Lamp - SEO 6C7



The auxiliary dome lamp is located on the headliner between the driver and the front passenger seating positions. The button for this lamp is located at the rear base of the lamp. The lamp is wired independently. To operate the lamp, press the button. To turn the lamp off, press the button again.

Dome Lamp Inoperative Function - SEO 7Y6



This feature on the Impala police vehicle makes the dome lamp inoperative when a door is opened. The dome and courtesy lamps can only be controlled using the exterior lamps knob on the instrument panel.

Inoperative Rear Door Handles - SEO 6B2

This feature makes the rear door handles inoperative. When the feature is enabled, the inside rear door handles are disconnected and the rear doors can only be opened from the outside.

Inoperative Rear Door Locks - SEO 6N6

This feature makes the rear door locks inoperative. When the feature is enabled, the rear door lock switches are disconnected and the rear doors can only be locked or unlocked from the driver's door lock switch.

Exterior Lamp Emergency Flashing System - SEO 6J7

SEO 6J7 provides a high-beam headlamps flashing module, rear lamps flashing, and control wire for a customer-furnished switch to turn the module on or off. The flasher control wire is coiled in the passenger side footwell under the instrument panel. This control lead may be combined with the interior wiring leads for SEO 6J3 when that option is ordered with SEO 6J7.

The headlamps flashing module is located at the inboard end of the passenger side headlamps assembly. The headlamps flashing module is activated by the application of 12 volts to a dark green/red wire coiled in the passenger side footwell. When activated, the driver and passenger side high-beam headlamps and the high-beam instrument panel cluster light will flash alternately at 2.4 flashes per second.

During daylight conditions, the Daytime Running Lamps (DRL) are automatically turned off whenever the headlamps flasher module is activated. During nighttime conditions, the low-beam headlamps turn on automatically while the high-beam headlamps flash. Turning on the high-beam headlamps manually with the turn signal/multifunction lever will override the flashing module and the high-beam headlamps will operate continuously.

A fuse labeled HDLP MDL protects the flasher module circuit. This fuse is located in the underhood fuse block in the engine compartment on the passenger side of the vehicle. See "Fuses and Circuit Breakers" in the Vehicle Care section of your Impala owner manual for more information.

When the headlamps flashing module is turned on, the module sends a signal to the Body Control Module (BCM). The BCM alternately flashes the stop lamps and backup lamps. Depressing the brake pedal will override the stop lamp flashing and placing the transaxle in reverse will override the backup lamp flashing.

When it is dark outside, the taillamps will turn on automatically. The Center High-Mounted Stoplamp (CHMSL) will not flash and will operate only when the regular brake pedal is pressed.

15-14 Special Equipment Options

				C122	
GROUND	1250	0.8 BLK	A		
LH HI BEAM	711	0.5 D-GN/WH	B	<< B	711 0.5 D-GN/WH
POWER *	2940	0.8 RD/WH	C		
RF HI BEAM	311	0.5 L-GN/BK	D	<< D	311 0.5 L-GN/BK
CONTROL	6820	0.35 D-GN/RD	E		
BCM	6841	0.5 D-BU/YE	F		
* FUSE "HDLP MDL", FUSE BLOCK, UNDERHOOD					

Forward Lamp Harness In-Line Connector for use with Headlamps Flasher Module, Option 6J7

The connector is located on the back of the passenger side of the bumper beam.

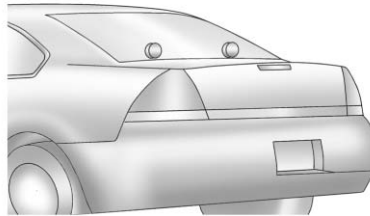
Heavy Duty Floor Covering - SEO 6A3

Impala police vehicles are equipped with carpet and carpeted floor mats. Optional heavy floor covering may replace the carpeting and floor mats.

Ignition Control Trunk Release - SEO A98

Impala police vehicles are equipped with an electric trunk release which operates when the vehicle's ignition is in LOCK/OFF. This feature can be changed, however, to operate only when the vehicle's ignition is in ON/RUN. To enable this feature on your vehicle, contact your dealer for assistance.

Rear Panel Lamps - SEO 6J6



Two 10 cm (4 in) red single faced lamps are mounted behind the rear seatback to be viewed through the rear window. The lamps work as auxiliary turn signal lamps, stoplamps, and hazard warning flashers. The wire to each lamp is extended to a loop with yellow (left) and green (right) wires coiled in the passenger side footwell. These loops allow customer installation of an in-line switch in each lamp circuit to disable the auxiliary lamp feature.

Rear Windows Inoperative - SEO 6N5

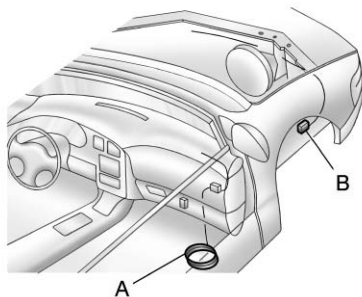
This feature makes the rear window switches inoperative. While the feature is enabled, the rear window switches are disconnected and the rear windows can only be operated from the driver's window switch.

Spotlamp - SEO 7X6

This option includes one pillar-mounted driver side halogen spotlamp. The spotlamp has a fuse located in the passenger side underhood fuse block.

15-16 Special Equipment Options

Wiring Provisions for Vehicle Grille Lamps, Flasher and Speaker/ Siren - SEO 6J3



Alternating Signal Flasher

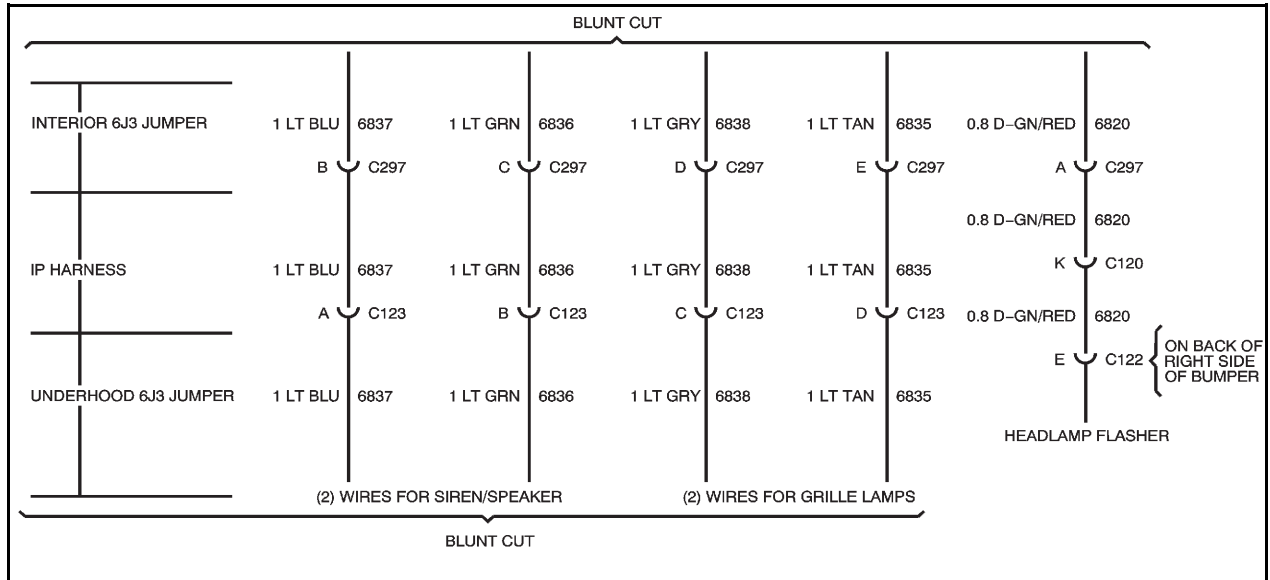
- A. Blunt cut ends for the Customer-Furnished Grille Lamps and Customer-Furnished Siren/Speaker

- B. Control Wires from In-Line Connector in Forward Lamp Harness for Customer-Furnished Grille Lamps and Speaker

The SEO 6J3 wiring provision option consists of a 1.5 m (5 ft) wiring harness coiled underneath the instrument panel on the passenger side. The wiring circuits are routed from underneath the instrument panel to a 30 cm (1 ft) coil secured in the area behind the grille. There are four 1.0 mm² (16 gauge) wires for connecting to the grille lights (GRY, TAN) and siren speaker (LT BU, LT GN).

The SEO 6J3 wiring provision also includes one 0.8 mm² (18 gauge) control wire for the SEO 6J7 exterior lamps emergency flashing system.

When option SEO 6J7 is installed without option SEO 6J3, only the dark green/red control wire is provided for connection to customer-furnished 12-volt switching to turn the emergency flashing system on or off.



Wiring Diagram for SEO 6J3 and SEO 6J7

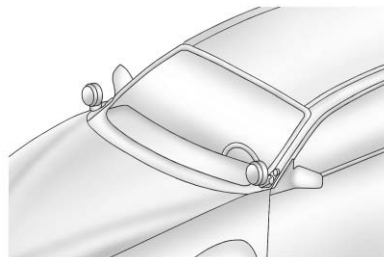
Spotlamp Provisions - SEO 7X8

This option includes a provision for the installation of a driver side pillar-mounted spotlamp. The provision includes a hole in the A pillar for spotlamp shaft routing, mounting bracket, and a power connector. The spotlamp wiring is powered by a fuse located in the passenger side underhood fuse block.

Spotlamp Provisions - SEO 7X9

This option includes provisions for the installation of driver and passenger side pillar-mounted spotlamps. The provision includes a hole in the A pillar for spotlamp shaft routing, mounting bracket, and a power connector. The spotlamp wiring is powered by fuses that are located in the passenger side underhood fuse block.

Spotlamps - SEO 7X7

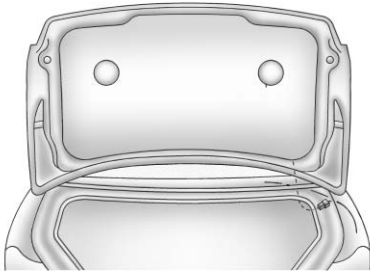


SEO 7X7 includes a driver and a passenger side spotlamp.

The spotlamp fuses are located in the passenger side underhood fuse block. See "Fuses and Circuit Breakers" in the Vehicle Care section of your Impala owner manual for more information.

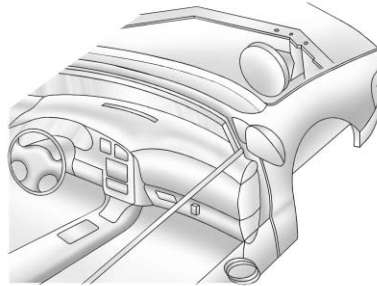
For spotlamp bulb replacement procedures, see the appropriate section of the service manual.

Trunk Lid Warning Lamps - SEO T53



Two 10 cm (4 in) single faced lamps are mounted to the inside of the trunk lid. The lamps work while the trunk lid is opened. They are wired to flash alternately through a flasher located at the right front corner of the trunk opening.

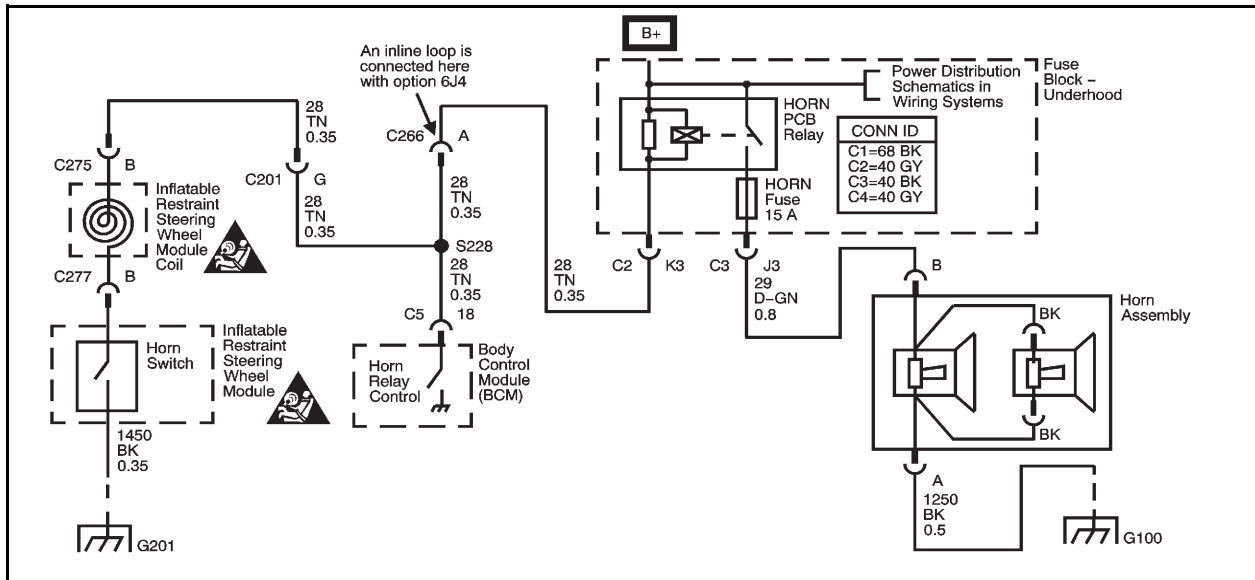
Wiring Provisions for Horn/Siren Circuit - SEO 6J4



This provision permits customer connection of a switch to select either horn or siren operation when the horn pad is pressed.

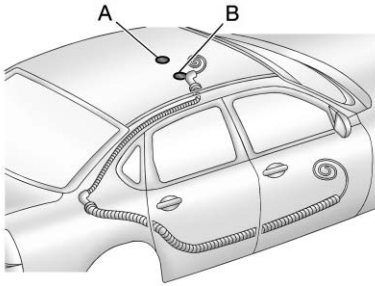
A 0.35 mm² (22 gauge) wire is connected to an in-line connector in the horn circuit of the instrument panel harness under the instrument panel. The end of this harness extension is in a 1.5 m (5 ft) loop of wire coiled under the instrument panel.

15-20 Special Equipment Options



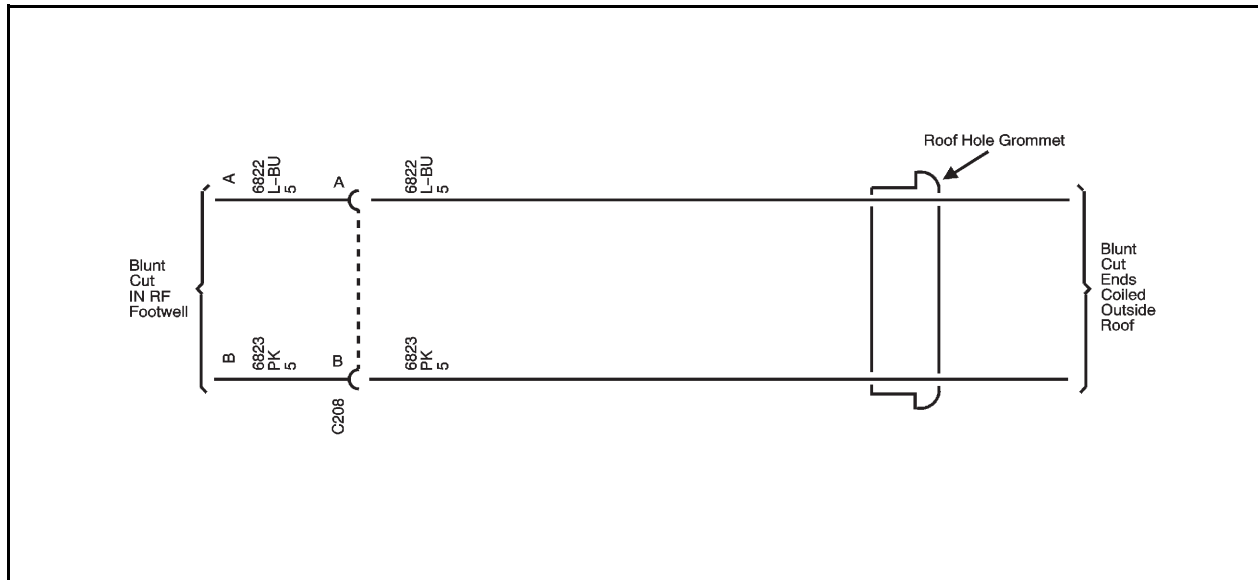
Wiring Diagram for SEO 6J4 Inline Connector

Wiring Provisions for Roof-Mounted Accessories - SEO 6F5



- A. 6B7 Hole Location
- B. 6J5 Hole Location

15-22 Special Equipment Options



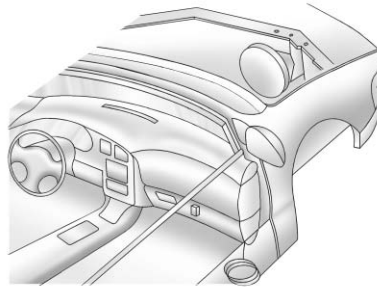
Wiring Diagram for SEO 6F5

Option 6F5 is a universal wiring harness for roof-mounted equipment. The harness is routed from a 1.5 m (5 ft) coil of wire in the passenger side footwell to a connector on the passenger side of the trunk.

When the SEO 6B7 (center hole) is ordered, two color-coded 5.0 mm² (10 gauge) wires extend 60 cm (24 in) through a grommet approximately 74 cm (30 in) behind the top of the windshield at the center of the roof.

When SEO 6J5 (passenger side hole) is ordered, two color-coded 5.0 mm² (10-gauge) wires extend 60 cm (24 in) through a grommet approximately 74 cm (30 in) behind the top of the windshield and 15 cm (6 in) inboard from the passenger side longitudinal roof joint.

Wiring Provisions Front Speakers - SEO WX7



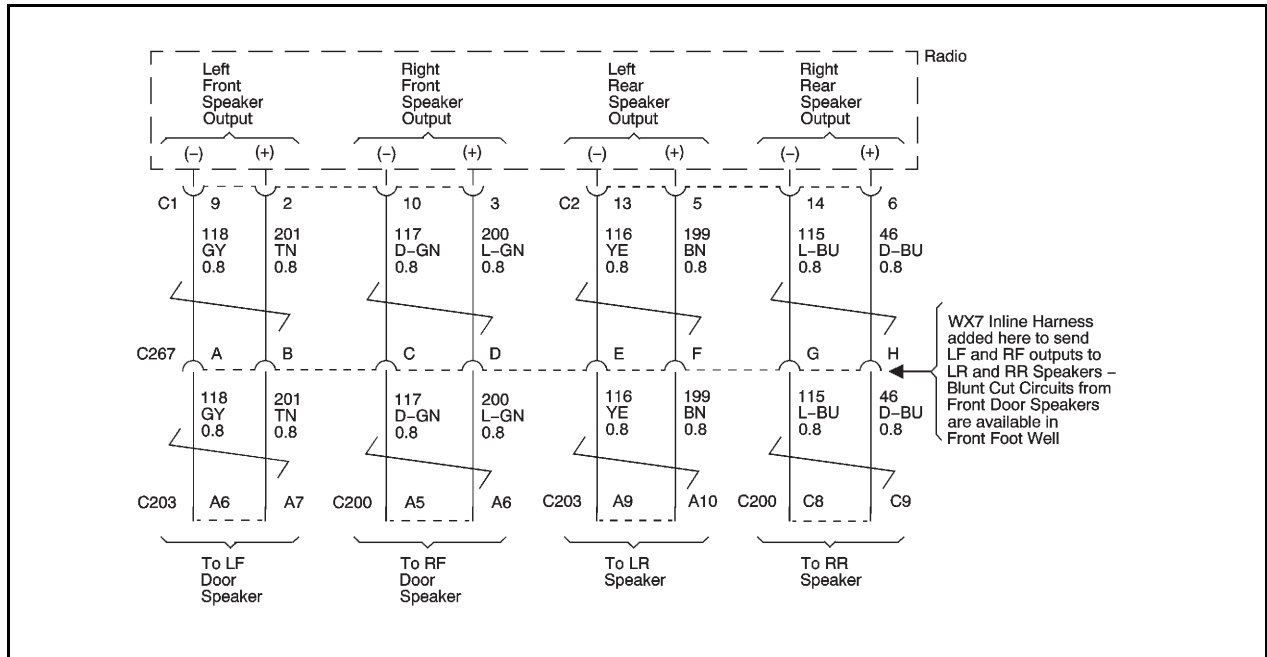
About 165 cm (65 in) of auxiliary speaker wire is run from the instrument panel radio connector and is coiled under the center of the instrument panel. The wiring permits the connection of front door speakers to customer-installed communication equipment.

Radio outputs from the front speakers are sent to the rear speakers to maintain the required open door/key in the ignition reminder chime.

15-24 Special Equipment Options

Electrical Connections

1. Disconnect the negative (-) battery cable at the battery.
2. Remove the tape from the wire coiled under the instrument panel to uncoil it.
3. Using proper electrical connectors, connect the wires for the left front audio output of the customer-installed communication device. The left front positive wire is tan and the left front negative wire is gray.
4. Using proper electrical connectors, connect the wires for the right front audio output of the customer-installed communication device. The right front positive wire is light green and the right front negative wire is dark green. The electrical impedance of each speaker installed is 10 ohms.
Notice: Overloading the vehicle's electrical system may damage your vehicle's accessories. Do not overload the vehicle's system by having unnecessary accessories on at the same time.
5. The ignition must be turned off and the vehicle must be vacated prior to attaching the cable to the battery. Connect the negative (-) battery cable to the battery and tighten the bolt to 15 N·m (11 lb ft).
6. Set the time on the clock and radio pushbuttons as needed. See "Audio Systems" in the Infotainment section of your owner manual for more information.



Wiring Diagram for SEO WX7 Inline Connector

Wiring Provisions Rear Coaxial Cable - SEO 6C8



About 240 cm (95 in) of RG58 coaxial radio antenna cable is run from the roof panel just rear of the center dome lamp and coiled in the trunk to reach either corner. The cable permits the connection of customer-installed communication equipment.

A

Accessories, Wiring
 Provisions for
 Roof-Mounted - SEO 6F5 ... 15-21
 Airbags
 Deployment Diagrams 2-4
 Airbags, Questions and
 Answers About Airbags and
 Specialty Law Enforcement
 Vehicles 2-1
 Auxiliary Battery Power
 Junction Blocks, Available
 Option 15-8
 Auxiliary Dome Lamp
 SEO - 6C7 15-12

B

Battery
 Power Junction Blocks
 Auxiliary, Available
 Option 15-8
 Wiring Provisions for
 12-Volt Power Supply 15-4
 Brakes 9-1

C

Cable, Wiring
 Provisions for Coaxial
 Cable - SEO 6C8 15-26
 Canadian Vehicle Owners ii
 Capacities and
 Specifications 11-2
 Circuit
 Wiring Provisions for
 Horn/Siren - SEO 6J4 15-19
 Cluster, IP 4-2
 Cooling
 Heavy Duty System 15-10
 Customer Installed
 Equipment, Notices 2-3

D

Deployment Diagrams 2-4
 Dome Lamp Inoperative
 Function - SEO 7Y6 15-12
 Driving
 Vehicle Load Limits 8-1

E

Engine
 Oil Cooling System and
 Power Steering 15-2
 Exterior Lamp Controls 5-1
 Exterior Lamp
 Emergency Flashing
 System - SEO 6J7 15-13

F

Fast Idle System 8-1
 Flasher, Wiring
 Provisions - SEO 6J3 15-16
 Floor Covering
 Heavy Duty - SEO 6A3 15-15
 Full-Size Spare Tire 9-2

H

Heavy Duty Cooling
 System 15-10
 Heavy Duty Floor
 Covering - SEO 6A3 15-15
 Horn/Siren, Wiring
 Provisions - SEO 6J4 15-19

I

Idle System
Fast 8-1
Ignition Control Trunk
Release - SEO A98 15-15
Inoperative Rear Door
Handles - SEO 6B2 15-12
Inoperative Rear Door
Locks - SEO 6N6 15-12
Instrument Cluster 4-2
Introduction ii

K

Keys
Single Key Random Code
System 1-1

L

Lamp
Auxiliary Dome,
SEO - 6C7 15-12
Lamps
Exterior Controls 5-1
Exterior Emergency
Flashing
System - SEO 6J7 15-13
Rear Panel - SEO 6J6 15-15
Trunk Lid
Warning - SEO T53 15-19
Vehicle Grille Wiring
Provisions - SEO 6J3 15-16

M

Mat, Trunk 15-10
Monitor System, Tire
Pressure 9-1

N

Notices for Customer
Installed Equipment 2-3

P

Police Package
SEO Available Options 15-11
Police Package and Special
Service Package, SEO
Standard Options 15-2
Power Steering/Engine Oil
Cooling System 15-2

Q

Questions and Answers
About Airbags and
Specialty Law Enforcement
Vehicles 2-1

R

Radios 15-10
 Rear Panel
 Lamps - SEO 6J6 15-15
 Rear Windows
 Inoperative - SEO 6N5 15-15
 Roof-Mounted
 Accessories, Wiring
 Provisions - SEO 6F5 15-21

S

Safety Belts
 Questions and Answers
 About Airbags and
 Specialty Law
 Enforcement Vehicles 2-1
 Seats 15-10
 SEO Standard Options
 Police Package and
 Special Service Package 15-2
 Speaker/Siren, Wiring
 Provisions - SEO 6J3 15-16
 Speakers
 Wiring Provisions,
 Front - SEO WX7 15-23

Special Equipment Options
 Dome Lamp Inoperative
 Function - SEO 7Y6 15-12
 Heavy Duty Floor
 Covering - SEO 6A3 15-15
 Ignition Control Trunk
 Release - SEO A98 15-15
 Spotlamp
 Provisions - SEO 7X8 15-18
 Spotlamp
 Provisions - SEO 7X9 15-18
 Specific Cylinder Unit for
 Single Key - Random Code
 System 1-1
 Specifications and
 Capacities 11-2
 Spotlamp
 SEO 7X6 15-15
 Spotlamp
 Provisions - SEO 7X8 15-18
 Spotlamps
 SEO 7X7, Available
 Option 15-18

SSEO Available
 Options - Police Package ... 15-11
 Supplement
 Using iii
 System
 Heavy Duty Cooling 15-10

T

Tires
 Full-Size Spare 9-2
 Pressure Monitor System 9-1
 Towing
 Trailer 8-2
 Trailer Towing 8-2
 Trim Height 11-1
 Trunk Ground Stud 15-3
 Trunk Lid Warning
 Lamps - SEO T53 15-19
 Trunk Mat 15-10
 Trunk Release
 Ignition
 Controlled - SEO A98 15-15

U

Using this Supplement iii

V

Vehicle

Canadian Owners ii

Load Limits 8-1

W

Wiring Provisions for 12-Volt

Battery Power Supply 15-4

Wiring Provisions for Front

Speakers - SEO WX7 15-23

Wiring Provisions for Horn/

Siren Circuit - SEO 6J4 15-19

Wiring Provisions for Rear

Coaxial Cable - SEO 6C8 ... 15-26

Wiring Provisions for

Roof-Mounted

Accessories - SEO 6F5 15-21

Wiring Provisions for

Vehicle Grille Lamps,

Flasher, and Speaker/

Siren - SEO 6J3 15-16