



## LSA Accessory Drive Package Specifications

Thank you for choosing Chevrolet Performance as your high performance source. Chevrolet Performance is committed to providing proven, innovative performance technology that is truly... more than just power. Chevrolet Performance parts are engineered, developed and tested to exceed your expectations for fit and function. Please refer to our catalog for the Chevrolet Performance Parts Authorized Center nearest you or visit our website at [www.chevroletperformance.com](http://www.chevroletperformance.com).

This publication provides general information on the installation of a Chevrolet Performance belt accessory drive package (belt package). Please read this entire publication before starting work. Also, please verify that all of the components listed below are in fact included in the kit.

The information below is divided into the following sections: package contents, installation instructions.

The belt package incorporates modern technology in a package that can be installed on most Chevrolet small block Generation 3-4 engines. The belt package includes all the necessary brackets and hardware, pulleys, tensioner, generator, power steering pump, A/C compressor and belt (if needed). This package is assembled using brand new, premium quality components.

This package is designed to provide you a complete belt accessory drive package. This kit is based on the accessory drive system from late model Corvette. It uses factory engineered brackets and components to ensure high quality as well as the factory belt tensioner to maintain proper belt tension during operation.

These specifications are intended as a supplement to factory service manuals. It is not the intent of these specifications to replace the comprehensive and detailed service practices explained in the factory service manuals.

Observe all safety precautions and warnings in the service manuals when installing this package in any vehicle. Wear eye protection and appropriate protective clothing. Support the vehicle securely with jack stands when working under or around it. Use only the proper tools. Exercise extreme caution when working with flammable, corrosive, and hazardous liquids and materials. Some procedures require special equipment and skills. If you do not have the appropriate training, expertise, and tools to perform any part of this conversion safely, this work should be done by a professional.

The information contained in this publication is presented without any warranty. All the risk for its use is entirely assumed by the user. Specific component design, mechanical procedures, and the qualifications of individual readers are beyond the control of the publisher, and therefore the publisher disclaims all liability incurred in connection with the use of the information provided in this publication.

Chevrolet, Chevy, the Chevrolet Bow Tie Emblem, General Motors, and GM are all registered trademarks of the General Motors Company.



**Kit Content**

| Item Number  | Part Number | Quantity | Description                             | Fastening Torque |          |
|--|-------------|----------|---|------------------|----------|
| <b>AIR CONDITION COMPRESSOR AND BELT (IF NEEDED)</b> |             |          |   |                  |          |
| 1  | 11516360    | 04       | BOLT/SCREW,A/C CMPR M10x1.5x90mm        | 50NM             | 37 FT-LB |
| 2  | 12612514    | 01       | BRACKET,A/C CMPR                        |                  |          |
| 3  | 11571051    | 04       | BOLT/SCREW, A/C CMPR MOUNT M10x1.5x45mm | 50NM             | 37 FT-LB |
| 4  | 25821958    | 01       | A/C COMPRESSOR                          |                  |          |
| 5  | 12623615    | 01       | TOOL, A/C COMPRESSOR BELT INSTALL       |                  |          |
| 6  | 12612516    | 01       | BELT, A/C COMPRESSOR                    |                  |          |
| <b>GENERATOR ASSEMBLY</b>                            |             |          |   |                  |          |
| 7  | 12578550    | 01       | BRACKET,GEN                             |                  |          |
| 8  | 25925447    | 01       | GENERATOR ASM                           |                  |          |
| 9  | 11518630    | 02       | BOLT/SCREW,GEN M10x1.5x60mm             | 50NM             | 37 FT-LB |
| 10   | 11518637    | 03       | BOLT/SCREW,GEN M10x1.5x95.5mm           | 50NM             | 37 FT-LB |
| <b>POWER STEERING PUMP</b>                           |             |          |   |                  |          |
| 11   | 12611905    | 01       | BRACKET,P/S PUMP                        |                  |          |
| 12   | 11515760    | 02       | BOLT, P/S PUMP RESERVOIR M8x1.25x40mm   | 50NM             | 37 FT-LB |
| 13   | 12611906    | 01       | PULLEY,P/S PUMP                         |                  |          |
| 14   | 20806165    | 01       | PUMP ASM,P/S                            |                  |          |
| 15   | 22768353    | 01       | RESERVOIR ASM,P/S FLUID                 |                  |          |
| 16   | 15224351    | 01       | HOSE ASM,P/S FLUID RSVR                 |                  |          |
| 17   | 11518633    | 03       | BOLT,P/S PUMP BRACKET M10x1.5x75mm      | 50NM             | 37 FT-LB |
| 18   | 11589311    | 03       | BOLT,P/S PUMP MOUNT M8 x1.25x29mm       | 50NM             | 37 FT-LB |
| <b>TENSIONER, PULLEY AND BELTS</b>                   |             |          |   |                  |          |
| 19   | 12606501    | 01       | BRACKET, PULLEY                         |                  |          |
| 20   | 11610074    | 03       | BOLT, PULLEY BRACKET M8x1.25x45mm       | 50NM             | 37 FT-LB |
| 21   | 11589311    | 01       | BOLT, PULLEY BRACKET M8x1.25x29mm       | 50NM             | 37 FT-LB |
| 22   | 12606500    | 01       | BRACKET, TENSIONER                      |                  |          |
| 23   | 11588749    | 02       | BOLT, TENSIONER BRACKET M10x1.5x85mm    | 50NM             | 37 FT-LB |
| 24   | 11588742    | 01       | BOLT, TENSIONER BRACKET M10x1.5x50mm    | 50NM             | 37 FT-LB |
| 25   | 12628025    | 01       | TENSIONER ASM                           |                  |          |
| 26   | 11571051    | 02       | BOLT, TENSIONER ASM M10x1.5x45mm        |                  |          |
| 27   | 12606031    | 01       | PULLEY                                  |                  |          |
| 28   | 12606032    | 01       | PULLEY                                  |                  |          |
| 29   | 11518630    | 02       | BOLT, PULLEY M10x1.5x60mm               | 50NM             | 37 FT-LB |
| 30   | 12622452    | 01       | TENSIONER                               |                  |          |
| 31   | 11588753    | 01       | BOLT, TENSIONER M10x1.5x105mm           | 50NM             | 37 FT-LB |
| 32   | 12568996    | 01       | PULLEY                                  | 50NM             | 37 FT-LB |
| 33   | 12628027    | 01       | BELT, W/PMP AND GEN AND P/S PUMP        |                  |          |
| 34   | 12636227    | 01       | BELT, SUPERCHARGER                      |                  |          |

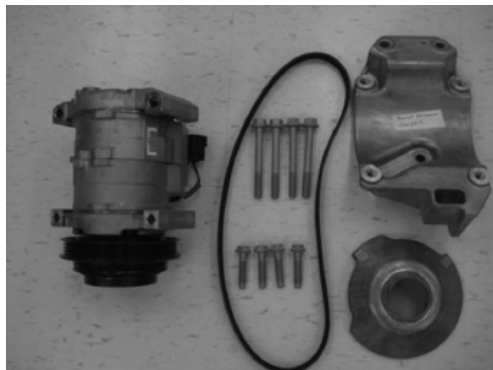
## Air Condition Compressor and Belt Installation

**NOTE:** If not installing an Air Conditioner Compressor skip this section.

### Installation Procedure:

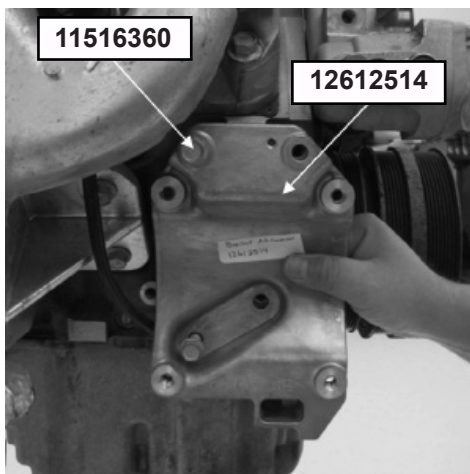
- Figure 1 below shows the required parts to perform the installation procedure. Refer to this picture and following pictures for clarification during the installation of the various components included in this package.

**FIGURE 1**



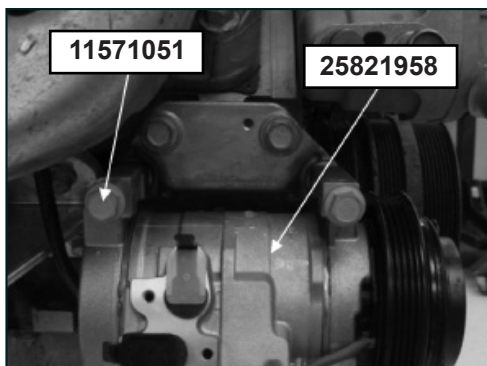
- Install Air Conditioning Bracket, part number (12612514), using bolt, part number (11516360), per Figure 2 below.

**FIGURE 2**



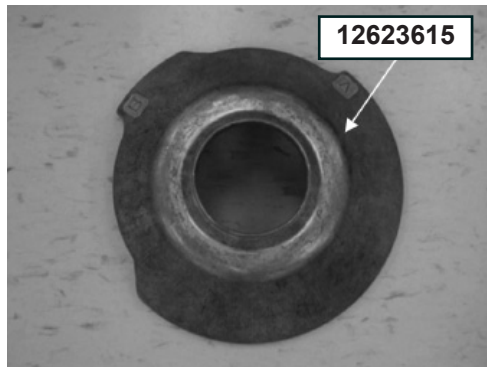
- Install Air Condition Compressor, part number (25821958), with bolt, part number (11571051), per Figure 3 below.

**FIGURE 3**



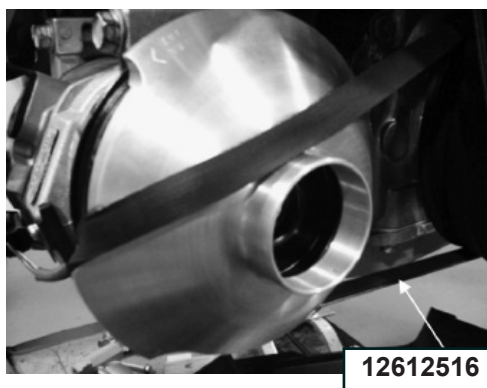
- Install the belt installation tool, part number (12623615) onto the air conditioner compressor, tool shown in Figure 4 below.

**FIGURE 4**



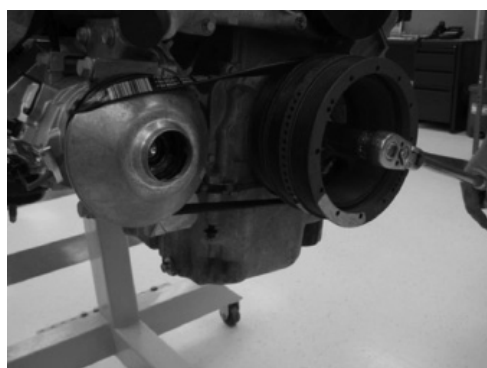
- Position belt, part number (12612516), on the rear of the crankshaft pulley, then position the belt onto the installation tool using position A, per Figure 5 below.

**FIGURE 5**



- Rotate the belt installation tool clockwise to load tension on the belt, per Figure 6 below.

**FIGURE 6**



- After the belt is fully seated, remove belt installation tool, per Figure 7 below.

**FIGURE 7**

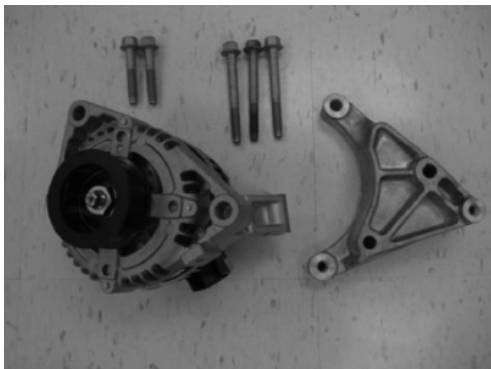


## Generator Installation

### Installation Procedure:

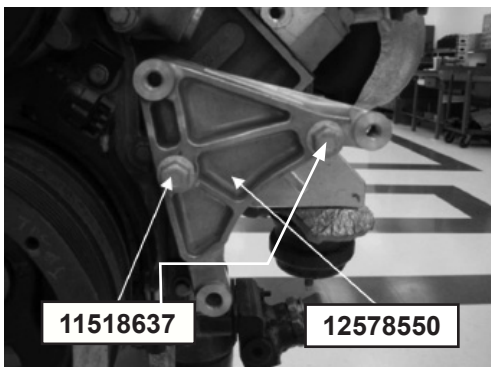
- Figure 1 below shows the required parts to perform the installation procedure. Refer to this picture and following pictures for clarification during the installation of the various components included in this package.

**FIGURE 1**



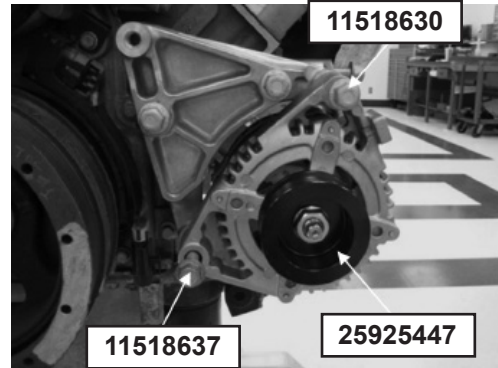
- Install Generator Bracket, part number (12578550) using 2 bolts, part number (11518637), to the engine block, per Figure 2 below.

**FIGURE 2**



- Install generator, part number (25925447), using bolts, part number (11518630) and part number (11518637) to the generator bracket, also use bolt, part number (11518630) to secure rear of generator (not shown below) per Figure 3 below.

**FIGURE 3**



## Power Steering Pump Installation

### Installation Procedure:

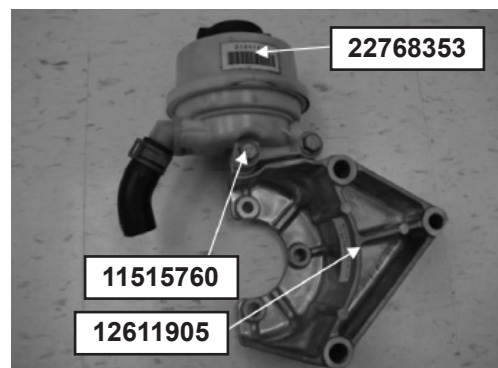
- Figure 1 below shows the required parts to perform the installation procedure. Refer to this picture and following pictures for clarification during the installation of the various components included in this package.

**FIGURE 1**



- Install Power Steering Pump Reservoir, part number (22768353) to the Power Steering Bracket, part number (12611905), using bolts, part number (11515760), per Figure 2 below. Also install hose 15224351 to reservoir as shown.

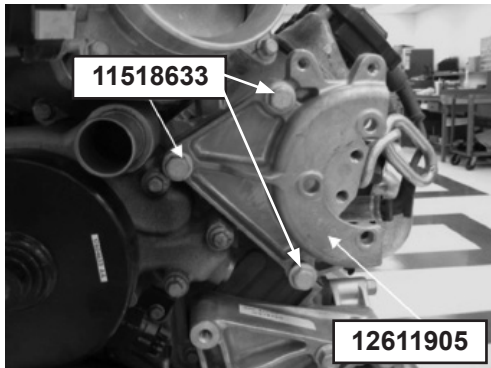
**FIGURE 2**





- Install Power Steering Bracket, part number (12611905) to the Engine block using bolts, part number (11518633), per Figure 3 below.

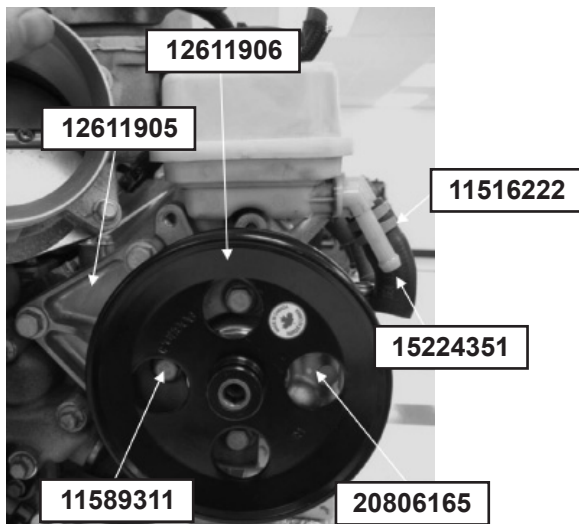
**FIGURE 3**



- Install power steering pump part number (20806165) to the Power Steering Bracket and slide the pump into the reservoir hose at the same time. Use 3 bolts (11589311) to attach pump to bracket (see figure 4 below).

**Note:** Install Power Steering Pump Pulley onto pump shaft using proper pulley installation tool. Do not attempt to drive pulley onto pump shaft as pump damage will result!

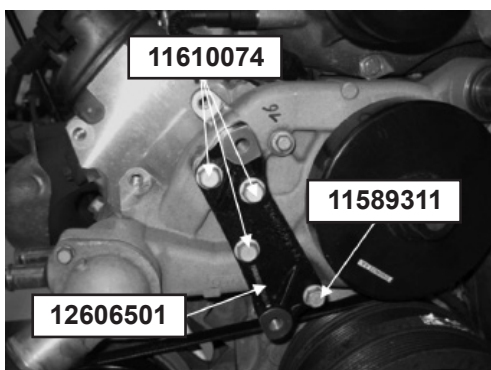
**FIGURE 4**



**Tensioner, Pulley and Belt Installation**

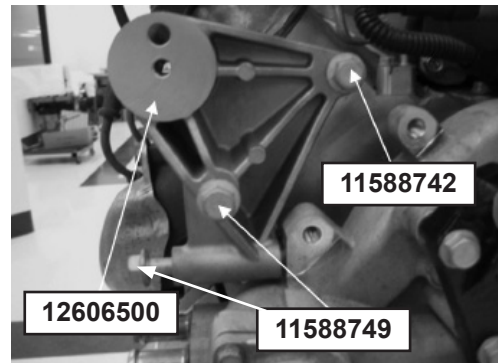
- Install Bracket, part number (12606051), to the Engine Block using Bolts, part number (11610074) and part number (11589311), per Figure 1 below.

**FIGURE 1**



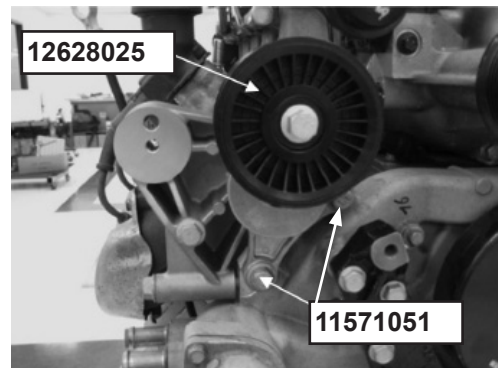
- Install Bracket, part number (12606500), to engine block, using bolts, part number (11588742) and part number (11588749), per Figure 2 below.

**FIGURE 2**



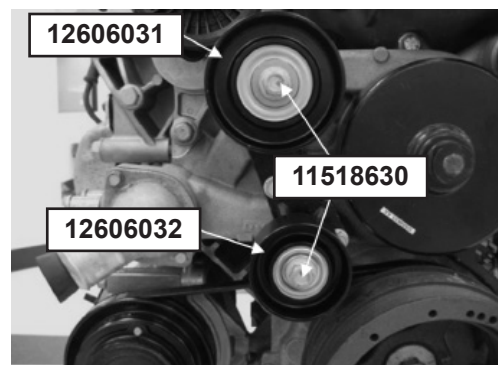
- Install Tensioner, part number (12628025), to engine block, using bolts, part number (11571051), per Figure 3 below.

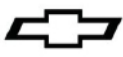
**FIGURE 3**



- Install Pulley, part number (12606031), with bolt, part number (11518630), and Pulley, part number (12606032) with bolt, part number (11518630) to engine block, per Figure 4 below.

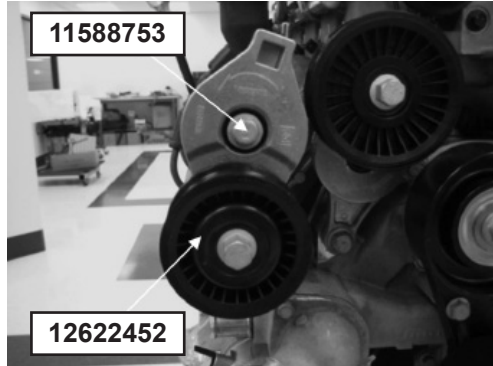
**FIGURE 4**





- Install Tensioner, part number (12622452), using Bolt, part number (11588753), to the engine block, per Figure 5 below.

**FIGURE 5**



- Install Pulley with bolt, part number (12568996), to the generator bracket, per Figure 6 below.

**FIGURE 6**



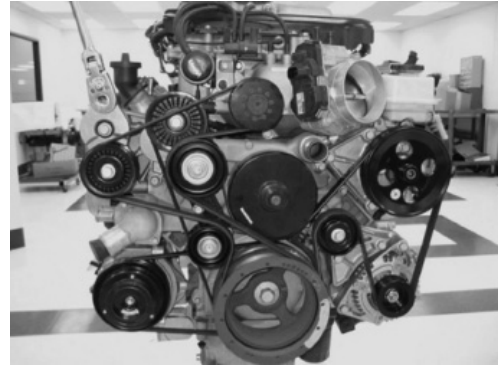
- Using a 15mm wrench or socket, install Belt, part number (12628027), per Figure 7 below.

**FIGURE 7**



- Using a 1/2" drive ratchet, install Belt, part number (12636227), per Figure 8 below.

**FIGURE 8**





## Spécifications de l'ensemble de LSA d'entraînement des accessoires

Merci d'avoir choisi Chevrolet Performance comme source de haute performance. Chevrolet Performance offrent une technologie de performance innovatrice et reconnue, pour vous satisfaire totalement. Les pièces haute Performance Chevrolet sont conçues, développées et vérifiées pour dépasser vos attentes en matière d'installation et de fonctionnement. Se reporter à notre catalogue pour trouver le centre agréé des pièces haute performance Chevrolet le plus près ou consulter notre site Web sur [www.chevroletperformance.com](http://www.chevroletperformance.com).

On trouve dans cette publication, une information générale sur l'installation de courroie d'entraînement des accessoires des pièces haute performance Chevrolet (ensemble courroie). Prière de lire cette publication en entier avant de commencer. En outre, prière de s'assurer que tous les composants énumérés ci-dessous sont effectivement inclus dans la trousse.

Les renseignements ci-dessous sont présentés dans les sections suivantes : contenu de l'emballage, consignes d'installation.

L'ensemble de courroie allie la technologie moderne dans un ensemble qui peut être installé sur la plupart des moteurs à bloc compact Chevrolet de génération 3-4. L'ensemble de courroie comprend tous les supports et toute la quincaillerie nécessaires, les poulies, le tendeur, l'alternateur, la pompe de servodirection, le compresseur de climatiseur et la courroie (le cas échéant). L'assemblage de cet ensemble est effectué en utilisant des composants neufs de première qualité.

Il s'agit ici d'un ensemble complet de courroie d'entraînement des accessoires. Cette trousse est basée sur le système d'entraînement des organes secondaires du plus récent modèle Corvette. Celle-ci comprend des supports et des composants conçus à l'usine afin de s'assurer d'une haute qualité ainsi que la capacité du tendeur de courroie usine de conserver la tension appropriée de la courroie lors du fonctionnement.

Ces spécifications sont un élément supplémentaire à apporter aux manuels de réparation usine. Ces caractéristiques techniques ne sont pas destinées à remplacer les pratiques d'entretien complètes et détaillées qui sont expliquées dans les manuels de réparation usine.

Respecter toutes les mises en garde et avertissements présentés dans les manuels d'entretien lors de l'installation de cet ensemble sur un véhicule. Porter des lunettes de sécurité et des vêtements de protection appropriés. Soutenir le véhicule sur des chandelles lors des manœuvres en dessous ou à proximité du véhicule. N'utiliser que les outils appropriés. Faire preuve d'une extrême prudence lors de la manipulation de liquides et de matières inflammables, corrosifs et dangereux. Certaines procédures exigent de l'équipement et des compétences spéciaux. Si l'on ne possède pas la formation, l'expérience ou les outils appropriés pour effectuer quelque intervention de conversion que ce soit en toute sécurité, prière de faire effectuer le travail par un professionnel.

L'information contenue dans la présente publication est présentée sans garantie. L'utilisateur assume tous les risques encourus par l'utilisation. La conception des composants particuliers, les procédures mécaniques et les compétences des lecteurs individuels sont indépendantes de la volonté de l'éditeur et, ainsi, ce dernier se décharge de toute responsabilité quant à l'utilisation de l'information fournie dans la présente publication.

Chevrolet, Chevy, l'emblème du nœud papillon Chevrolet, General Motors et GM sont toutes des marques de commerce déposées de General Motors Company.



**Contenu de la trousse**

| Numéro de l'article  | Numéro de la pièce | Quantité | Description   | Couple de serrage |          |
|--|--------------------|----------|---|-------------------|----------|
| <b>COMPRESSEUR DE CLIMATISEUR ET COURROIE (LE CAS ÉCHÉANT)</b> |                    |          |   |                   |          |
| 1  | 11516360           | 04       | BOULON/VIS, COMPRESSEUR DE CLIMATISEUR M10x1,5x90 mm            | 50 N.m            | 37 PI LB |
| 2  | 12612514           | 01       | SUPPORT, COMPRESSEUR DE CLIMATISEUR                             |                   |          |
| 3  | 11571051           | 04       | BOULON/VIS, SUPPORT DE COMPRESSEUR DE CLIMATISEUR M10x1,5x45 mm | 50 N.m            | 37 PI LB |
| 4  | 25821958           | 01       | COMPRESSEUR DE CLIMATISEUR                                      |                   |          |
| 5  | 12623615           | 01       | OUTIL DE POSE, COURROIE DE COMPRESSEUR DE CLIMATISEUR           |                   |          |
| 6  | 12612516           | 01       | COURROIE, COMPRESSEUR DE CLIMATISEUR                            |                   |          |
| <b>ALTERNATEUR</b>   |                    |          |   |                   |          |
| 7  | 12578550           | 01       | SUPPORT, ALTERNATEUR  |                   |          |
| 8  | 25925447           | 01       | ALTERNATEUR   |                   |          |
| 9  | 11518630           | 02       | BOULON/VIS, ALTERNATEUR M10x1,5x60 mm                           | 50 N.m            | 37 PI LB |
| 10   | 11518637           | 03       | BOULON/VIS, ALTERNATEUR M10x1,5x95,5 mm                         | 50 N.m            | 37 PI LB |
| <b>POMPE DE SERVODIRECTION</b>                                 |                    |          |   |                   |          |
| 11   | 12611905           | 01       | SUPPORT, POMPE DE SERVODIRECTION                                |                   |          |
| 12   | 11515760           | 02       | BOULON, RÉSERVOIR DE POMPE DE SERVODIRECTION M8x1,25x40 mm      | 50 N.m            | 37 PI LB |
| 13   | 12611906           | 01       | POULIE, POMPE DE SERVODIRECTION                                 |                   |          |
| 14   | 20806165           | 01       | POMPE, SERVODIRECTION   |                   |          |
| 15   | 22768353           | 01       | RÉSERVOIR, LIQUIDE DE SERVODIRECTION                            |                   |          |
| 16   | 15224351           | 01       | FLEXIBLE, RÉSERVOIR DE LIQUIDE DE SERVODIRECTION                |                   |          |
| 17   | 11518633           | 03       | BOULON, SUPPORT DE POMPE DE SERVODIRECTION M10x1,5x75 mm        | 50 N.m            | 37 PI LB |
| 18   | 11589311           | 03       | BOULON, SUPPORT DE POMPE DE SERVODIRECTION M8x1,25x29 mm        | 50 N.m            | 37 PI LB |
| <b>TENDEUR, POULIE ET COURROIES</b>                            |                    |          |   |                   |          |
| 19   | 12606501           | 01       | SUPPORT, POULIE   |                   |          |
| 20   | 11610074           | 03       | BOULON, SUPPORT DE POULIE M8x1,25x45mm                          | 50 N.m            | 37 PI LB |
| 21   | 11589311           | 01       | BOULON, SUPPORT DE POULIE M8x1,25x29mm                          | 50 N.m            | 37 PI LB |
| 22   | 12606500           | 01       | SUPPORT, TENDEUR  |                   |          |
| 23   | 11588749           | 02       | BOULON, SUPPORT DE TENDEUR M10x1,5x85mm                         | 50 N.m            | 37 PI LB |
| 24   | 11588742           | 01       | BOULON, SUPPORT DE TENDEUR M10x1,5x50mm                         | 50 N.m            | 37 PI LB |
| 25   | 12628025           | 01       | TENDEUR   |                   |          |
| 26   | 11571051           | 02       | BOULON, TENDEUR M10x1.5x45mm                                    |                   |          |
| 27   | 12606031           | 01       | POULIE  |                   |          |
| 28   | 12606032           | 01       | POULIE  |                   |          |
| 29   | 11518630           | 02       | BOULON, POULIE M10x1,5x60mm                                     | 50 N.m            | 37 PI LB |
| 30   | 12622452           | 01       | TENDEUR   |                   |          |
| 31   | 11588753           | 01       | BOULON, TENDEUR M10x1,5x105mm                                   | 50 N.m            | 37 PI LB |
| 32   | 12568996           | 01       | POULIE  | 50 N.m            | 37 PI LB |
| 33   | 12628027           | 01       | COURROIE, POMPE À EAU ET ALTERNATEUR ET POMPE DE SERVODIRECTION |                   |          |
| 34   | 12636227           | 01       | COURROIE, COMPRESSEUR VOLUMÉTRIQUE                              |                   |          |



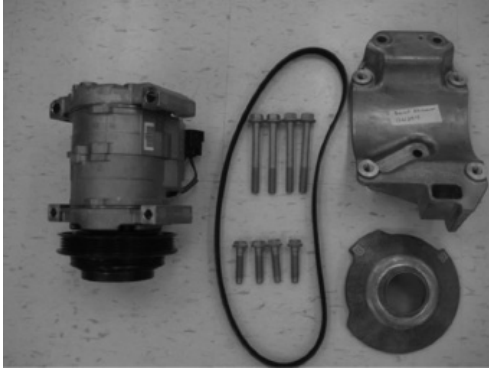
## Installation du compresseur de climatiseur et de la courroie

**NOTA :** Omettre cette section si l'installation d'un compresseur de climatiseur n'est pas nécessaire.

### Procédure d'installation :

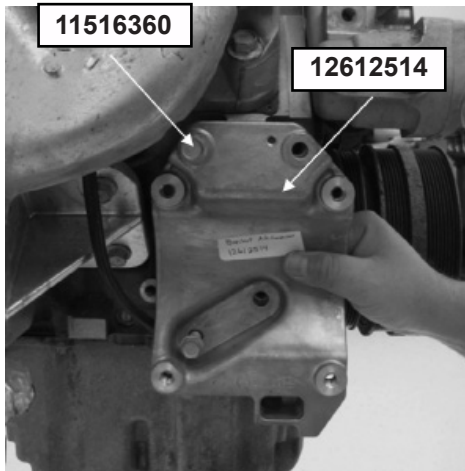
- La Figure 1 ci-dessous illustre les pièces requises pour effectuer la procédure d'installation. Se reporter à cette photo, ainsi qu'aux photos suivantes, aux fins d'éclaircissement au cours de l'installation des différents composants compris dans cet ensemble.

**FIGURE 1**



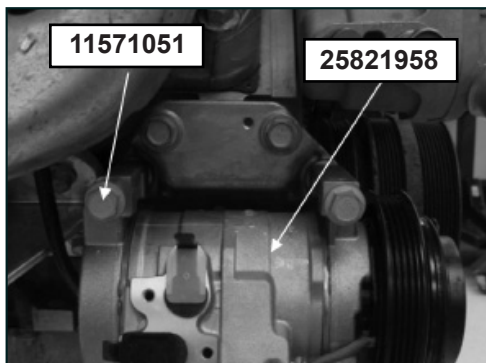
- Installer le support de climatiseur, numéro de pièce 12612514, à l'aide du boulon, numéro de pièce 11516360, selon la Figure 2 ci-dessous.

**FIGURE 2**



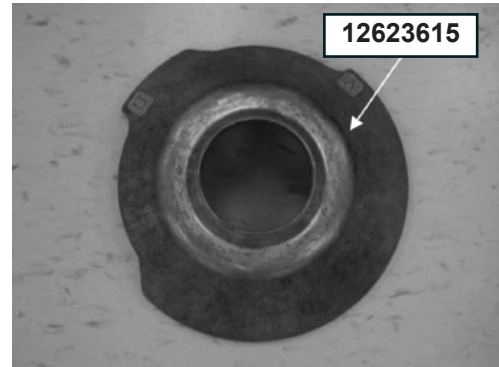
- Installer le compresseur de climatiseur, numéro de pièce 25821958, à l'aide du boulon, numéro de pièce 11571051, selon la Figure 3 ci-dessous.

**FIGURE 3**



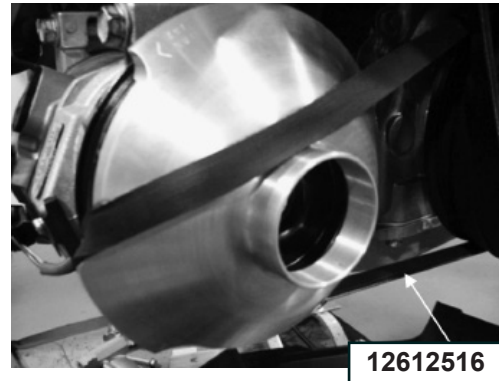
- Installer l'outil de pose de courroie, numéro de pièce 12623615, sur le compresseur de climatiseur, selon la Figure 4 ci-dessous.

**FIGURE 4**



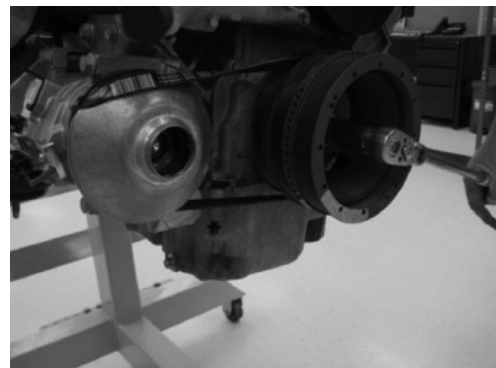
- Positionner la courroie, numéro de pièce 12612516, à l'arrière de la poulie de vilebrequin, puis positionner la courroie sur l'outil de pose en suivant la position A selon la Figure 5 ci-dessous.

**FIGURE 5**



- Tourner l'outil de pose de courroie dans le sens horaire afin de tendre la courroie selon la Figure 6 ci-dessous.

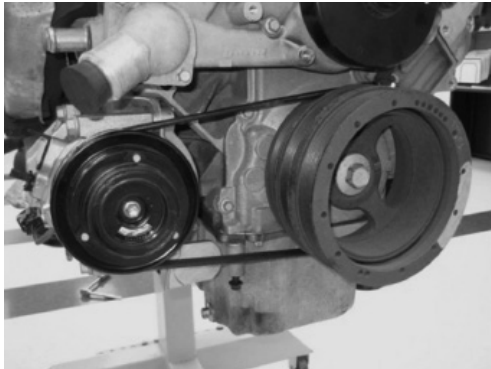
**FIGURE 6**





- Une fois que la courroie est bien calée, retirer l'outil de pose de courroie selon la Figure 7 ci-dessous.

**FIGURE 7**



### Installation de l'alternateur

#### Procédure d'installation :

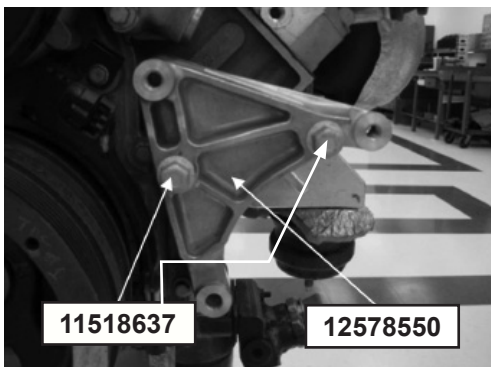
- La Figure 1 ci-dessous illustre les pièces requises pour effectuer la procédure d'installation. Se reporter à cette photo, ainsi qu'aux photos suivantes, aux fins d'éclaircissement au cours de l'installation des différents composants compris dans cet ensemble.

**FIGURE 1**



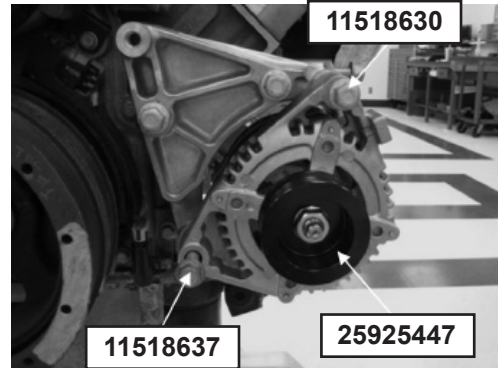
- Installer le support d'alternateur, numéro de pièce 12578550 avec 2 boulons, numéro de pièce 11518637, sur le bloc-moteur selon la Figure 2 ci-dessous.

**FIGURE 2**



- Installer l'alternateur, numéro de pièce 25925447, à l'aide des boulons, numéros de pièce 11518630 et 11518637, sur le support d'alternateur, utiliser également le boulon, numéro de pièce 11518630, pour fixer l'arrière de l'alternateur (n'est pas illustré) selon la Figure 3 ci-dessous.

**FIGURE 3**



### Installation de la pompe de servodirection

#### Procédure d'installation :

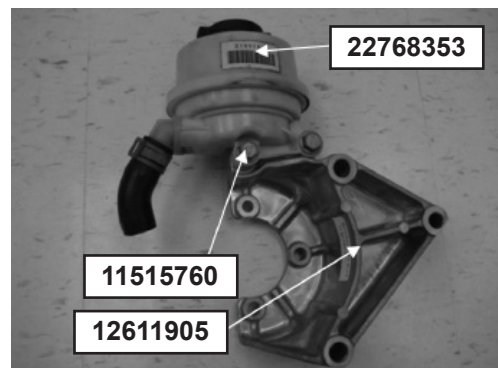
- La Figure 1 ci-dessous illustre les pièces requises pour effectuer la procédure d'installation. Se reporter à cette photo, ainsi qu'aux photos suivantes, aux fins d'éclaircissement au cours de l'installation des différents composants compris dans cet ensemble.

**FIGURE 1**



- Installer le réservoir de la pompe de servodirection, numéro de pièce 22768353, au support de servodirection, numéro de pièce 12611905, à l'aide des boulons, numéro de pièce 11515760, selon la Figure 2 ci-dessous. Poser également le flexible 15224351 sur le réservoir, comme illustré.

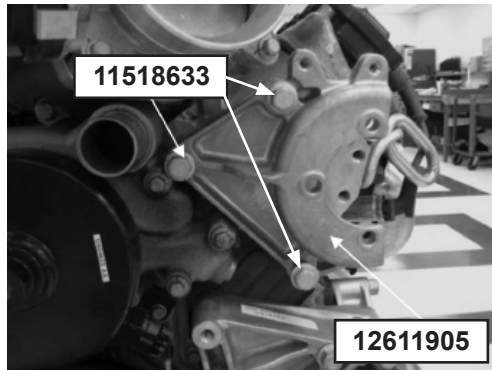
**FIGURE 2**





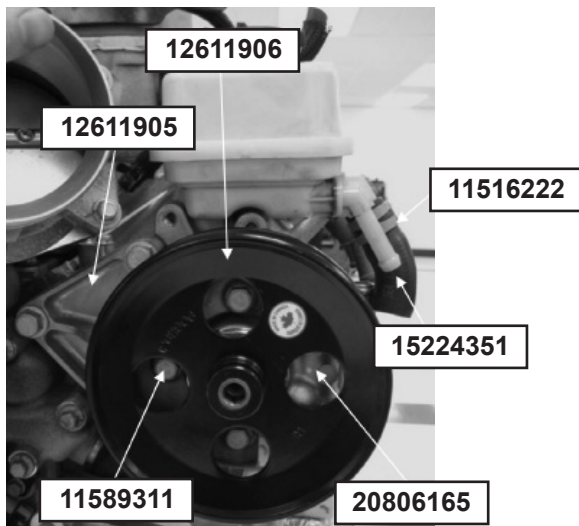
- Installer le support de servodirection, numéro de pièce 12611905, au bloc-moteur à l'aide des boulons, numéro de pièce 11518633, selon la Figure 3 ci-dessous.

**FIGURE 3**



- Poser la pompe à servodirection numéro de pièce (20806165) sur le support de servodirection et glisser la pompe dans le flexible du réservoir en même temps. Utiliser 3 boulons (11589311) pour fixer la pompe au support (voir la figure 4 ci-dessous). **Nota:** Poser la poulie de pompe à servodirection sur l'arbre de la pompe avec l'outil de pose de poulie approprié. Ne pas tenter d'enfoncer la poulie sur l'arbre de la pompe, car cela pourrait endommager la pompe !

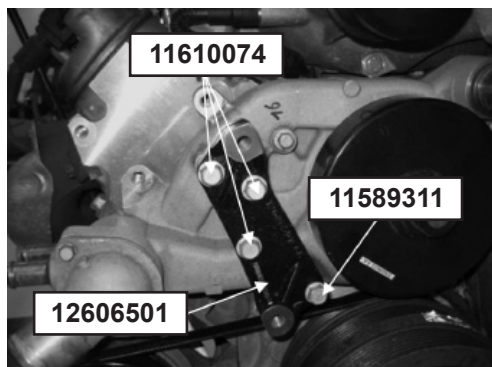
**FIGURE 4**



### Installation du tendeur, de la poulie et de la courroie

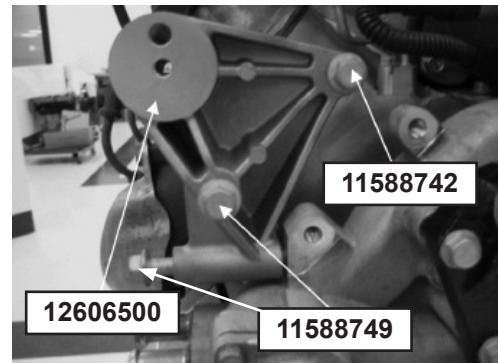
- Installer le support, numéro de pièce 12606051, au bloc-moteur à l'aide des boulons, numéros de pièce 11610074 et 11589311, selon la Figure 1 ci-dessous.

**FIGURE 1**



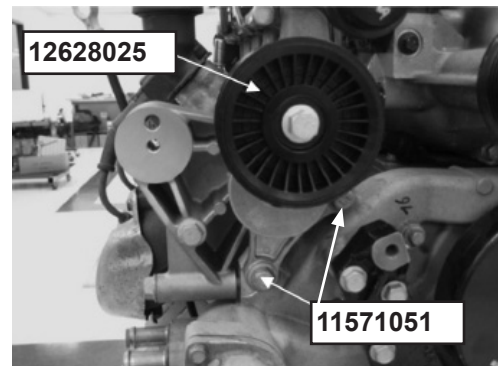
- Installer le support, numéro de pièce 12606500, au bloc-moteur à l'aide des boulons, numéros de pièce 11588742 et 11588749, selon la Figure 2 ci-dessous.

**FIGURE 2**



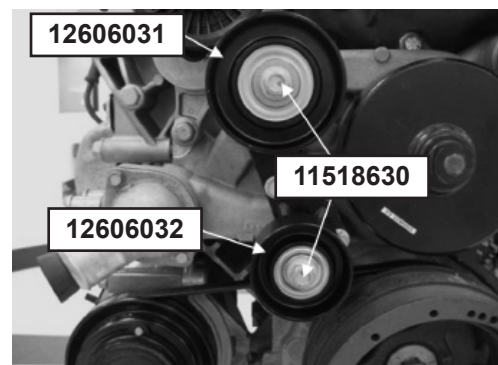
- Installer le tendeur, numéro de pièce 12628025, au bloc-moteur à l'aide des boulons, numéro de pièce 11571051, selon la Figure 3 ci-dessous.

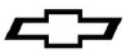
**FIGURE 3**



- Installer la poulie, numéro de pièce 12606031, à l'aide du boulon, numéro de pièce 11518630, et la poulie, numéro de pièce 12606032, à l'aide du boulon, numéro de pièce 11518630, au bloc-moteur, selon la Figure 4 ci-dessous.

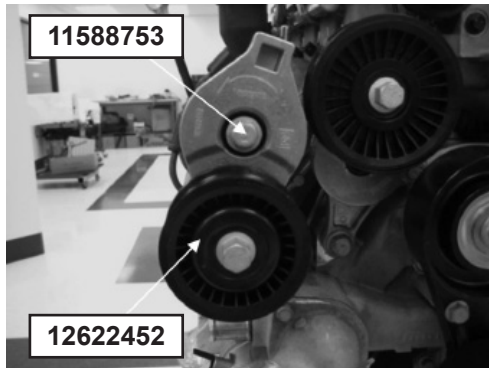
**FIGURE 4**





- Installer le tendeur, numéro de pièce 12622452, à l'aide du boulon, numéro de pièce 11588753, sur le bloc-moteur selon la Figure 5 ci-dessous.

**FIGURE 5**



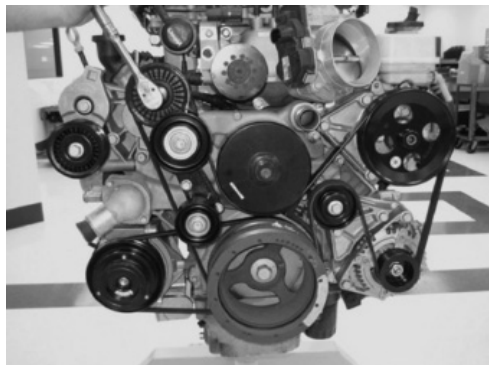
- Installer la poulie à l'aide du boulon, numéro de pièce 12568996, sur le support de générateur, selon la Figure 6 ci-dessous.

**FIGURE 6**



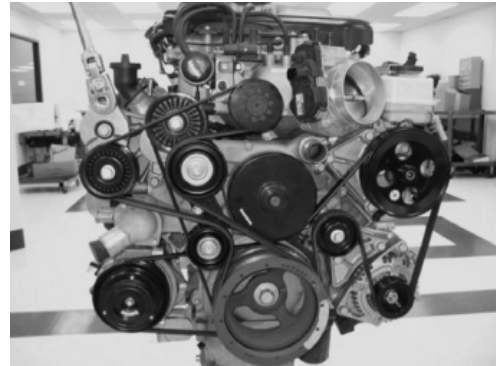
- Utiliser une douille ou une clé 15 mm pour installer la courroie, numéro de pièce 12628027, selon la Figure 7 ci-dessous.

**FIGURE 7**



- Utiliser une clé à rochet 1/2 po pour installer la courroie, numéro de pièce 12636227, selon la Figure 8 ci-dessous.

**FIGURE 8**





## Especificaciones del paquete de LSA accesorios

Gracias por elegir Chevrolet Performance como su proveedor de alto rendimiento. Chevrolet Performance tiene el compromiso de brindar tecnología de alto desempeño innovadora comprobada que sea verdaderamente... más que únicamente rendimiento. Chevrolet Performance regiones están diseñadas, desarrolladas y probadas para superar sus expectativas en cuanto a adaptación y funcionalidad. Consulte nuestro catálogo para obtener información sobre el Centro autorizado de Chevrolet Performance Regiones más cercano a usted o visite nuestro sitio Web en [www.chevroletperformance.com](http://www.chevroletperformance.com).

Esta publicación proporciona información general acerca de la instalación de un paquete de transmisión de accesorios de banda (paquete de banda) de Chevrolet Performance regiones. Lea toda la documentación antes de empezar a trabajar. Además, verifique que todos los componentes enumerados a continuación estén incluidos realmente en el kit.

La siguiente información se divide en las siguientes secciones: contenido del paquete, instrucciones de instalación.

El paquete de banda incorpora la tecnología moderna en un paquete que se puede instalar en la mayoría de motores de 3ra y 4ta generación de bloque pequeño de Chevrolet. El paquete de banda incluye todos los soportes y accesorios, poleas, tensor, generador, bomba de la dirección hidráulica, compresor y banda de A/C (si es necesario). Este paquete se ensambla utilizando componentes nuevos de primera calidad.

Este paquete está diseñado para proporcionarle un paquete completo de transmisión de accesorios de la banda. Este kit se basa en el sistema de transmisión de accesorios del modelo reciente de Corvette. Utiliza soportes y componentes diseñados en la fábrica para garantizar una alta calidad así y que el tensor de la banda fábrica mantenga la tensión correcta de la banda durante el funcionamiento.

Estas especificaciones tienen el propósito de ser un suplemento para los manuales de servicio fábrica. Estas especificaciones no tienen como propósito reemplazar las completas y detalladas prácticas de servicio que se describen en los manuales de servicio de fábrica.

Observe todas las advertencias y precauciones de seguridad que se encuentran en los manuales de servicio cuando instale este paquete en cualquier vehículo. Utilice protección para los ojos y ropa protectora apropiada. Sostenga el vehículo de manera segura con gatos de soporte cuando trabaje debajo o alrededor de él. Utilice únicamente las herramientas adecuadas. Tenga mucho cuidado cuando esté trabajando con materiales y líquidos inflamables, corrosivos y peligrosos. Algunos procedimientos necesitan de destrezas o equipo especial. Si no tiene las herramientas, experiencia y capacitación adecuadas para realizar alguna parte de la instalación de manera segura, este trabajo lo debe realizar un profesional.

La información que se encuentra en esta publicación se presenta sin ninguna garantía. El usuario asume en su totalidad los riesgos derivados del uso del mismo. La habilidad de los lectores individuales, los procedimientos mecánicos y el diseño de componentes específicos van más allá del control del editor y, por lo tanto, el editor renuncia a toda responsabilidad incurrida relacionada con el uso de la información que se proporciona en esta publicación.

Chevrolet, Chevy, el emblema de corbatín de Chevrolet, General Motors y GM son todas marcas comerciales registradas de General Motors Company.



**Contenido del kit**

| Número de artículo   | Número de parte | Cantidad | Descripción  | Torque de afianzamiento |            |
|--|-----------------|----------|--|-------------------------|------------|
| <b>COMPRESOR DE AIRE ACONDICIONADO Y BANDA (SI ES NECESARIO)</b> |                 |          |  |                         |            |
| 1  | 11516360        | 04       | PERNO/TORNILLO, COMPRESOR DE A/C M10x1.5x90 mm                     | 50NM                    | 37 PIES-LB |
| 2  | 12612514        | 01       | SOPORTE, COMPRESOR DE A/C  |                         |            |
| 3  | 11571051        | 04       | PERNO/TORNILLO, SOPORTE DEL COMPRESOR DE A/C M10x1.5x45 mm         | 50NM                    | 37 PIES-LB |
| 4  | 25821958        | 01       | COMPRESOR DE A/C   |                         |            |
| 5  | 12623615        | 01       | HERRAMIENTA, INSTALACIÓN DEL TENSOR DEL COMPRESOR DE A/C           |                         |            |
| 6  | 12612516        | 01       | BANDA, COMPRESOR DE A/C  |                         |            |
| <b>ENSAMBLE DEL GENERADOR</b>                                    |                 |          |  |                         |            |
| 7  | 12578550        | 01       | SOPORTE, GENERADOR   |                         |            |
| 8  | 25925447        | 01       | ENSAMBLE DEL GENERADOR   |                         |            |
| 9  | 11518630        | 02       | PERNO/TORNILLO, GENERADOR M10x1.5x60 mm                            | 50NM                    | 37 PIES-LB |
| 10   | 11518637        | 03       | PERNO/TORNILLO, GENERADOR M10x1.5x95.5mm                           | 50NM                    | 37 PIES-LB |
| <b>BOMBA DE DIRECCIÓN HIDRÁULICA</b>                             |                 |          |  |                         |            |
| 11   | 12611905        | 01       | SOPORTE, BOMBA DE DIRECCIÓN HIDRÁULICA                             |                         |            |
| 12   | 11515760        | 02       | PERNO, DEPÓSITO DE LA BOMBA DE DIRECCIÓN HIDRÁULICA M8x1.25x40mm   | 50NM                    | 37 PIES-LB |
| 13   | 12611906        | 01       | POLEA, BOMBA DE DIRECCIÓN HIDRÁULICA                               |                         |            |
| 14   | 20806165        | 01       | ENSAMBLE DE BOMBA, DIRECCIÓN HIDRÁULICA                            |                         |            |
| 15   | 22768353        | 01       | ENSAMBLE DEL DEPÓSITO, LÍQUIDO DE DIRECCIÓN HIDRÁULICA             |                         |            |
| 16   | 15224351        | 01       | ENSAMBLE DE MANGUERA, DEPÓSITO DEL LÍQUIDO DE DIRECCIÓN HIDRÁULICA |                         |            |
| 17   | 11518633        | 03       | PERNO, SOPORTE DE LA BOMBA DE DIRECCIÓN HIDRÁULICA M10x1.5x75mm    | 50NM                    | 37 PIES-LB |
| 18   | 11589311        | 03       | PERNO, SOPORTE DE LA BOMBA DE DIRECCIÓN HIDRÁULICA M8x1.25x29mm    | 50NM                    | 37 PIES-LB |
| <b>TENSOR, POLEA Y BANDAS</b>                                    |                 |          |  |                         |            |
| 19   | 12606501        | 01       | SOPORTE, POLEA   |                         |            |
| 20   | 11610074        | 03       | PERNO, SOPORTE DE POLEA M8x1.25x45mm                               | 50NM                    | 37 PIES-LB |
| 21   | 11589311        | 01       | PERNO, SOPORTE DE POLEA M8x1.25x29mm                               | 50NM                    | 37 PIES-LB |
| 22   | 12606500        | 01       | SOPORTE, TENSOR  |                         |            |
| 23   | 11588749        | 02       | PERNO, SOPORTE DEL TENSOR M10x1.5x85mm                             | 50NM                    | 37 PIES-LB |
| 24   | 11588742        | 01       | PERNO, SOPORTE DEL TENSOR M10x1.5x50mm                             | 50NM                    | 37 PIES-LB |
| 25   | 12628025        | 01       | ENSAMBLE DEL TENSOR  |                         |            |
| 26   | 11571051        | 02       | PERNO, ENSAMBLE DEL TENSOR M10x1.5x45mm                            |                         |            |
| 27   | 12606031        | 01       | POLEA  |                         |            |
| 28   | 12606032        | 01       | POLEA  |                         |            |
| 29   | 11518630        | 02       | PERNO, POLEA M10x1.5x60mm  | 50NM                    | 37 PIES-LB |
| 30   | 12622452        | 01       | TENSOR   |                         |            |
| 31   | 11588753        | 01       | PERNO, TENSOR M10x1.5x105mm  | 50NM                    | 37 PIES-LB |
| 32   | 12568996        | 01       | POLEA  | 50NM                    | 37 PIES-LB |
| 33   | 12628027        | 01       | BANDA, CON BOMBA Y GENERADOR Y BOMBA DE DIRECCIÓN HIDRÁULICA       |                         |            |
| 34   | 12636227        | 01       | BANDA, SUPERCARGADOR   |                         |            |



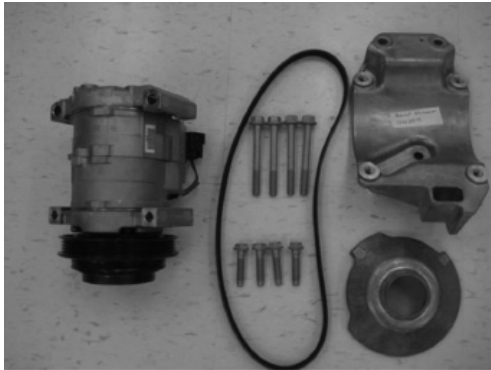
## Instalación del compresor del aire acondicionado y banda

**NOTA:** Si no está instalando un Compresor de aire acondicionado, omita esta sección.

### Procedimiento de instalación:

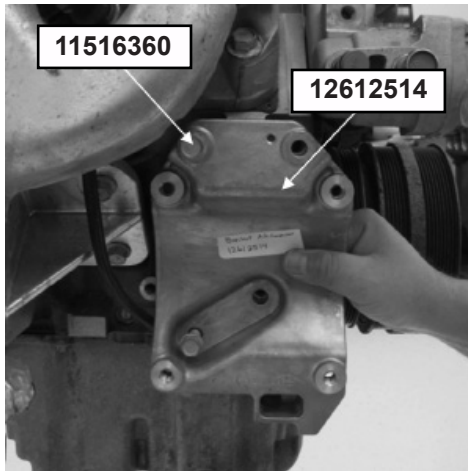
- La Figura 1 siguiente muestra las partes requeridas para realizar el procedimiento de instalación. Consulte las figuras siguientes en caso de que tenga dudas durante la instalación de varios componentes incluidos en este paquete.

### FIGURA 1



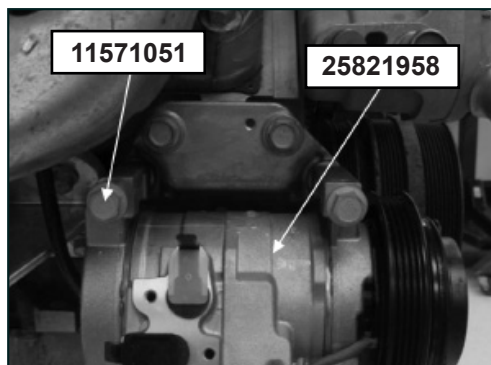
- Instale el soporte del compresor de aire acondicionado, número de parte (12612514) con el perno, número de parte (11516360), según la Figura 2 siguiente.

### FIGURA 2



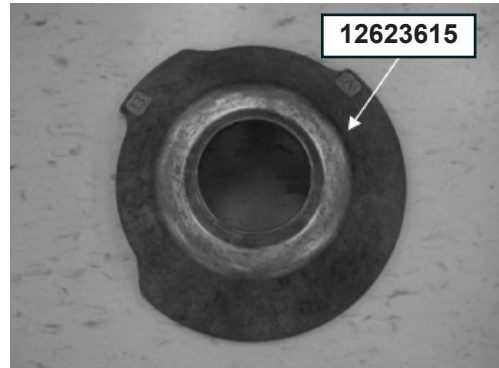
- Instale el compresor de aire acondicionado, número de parte (25821958) con el perno, número de parte (11571051), según la Figura 3 siguiente.

### FIGURA 3



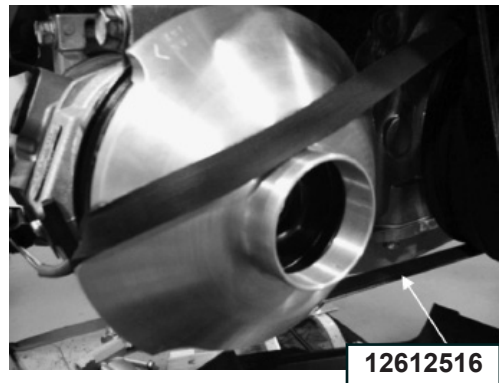
- Instale la herramienta de instalación de la banda, número de parte (12623615) encima del compresor de aire acondicionado; la herramienta se muestra en la Figura 4 siguiente.

### FIGURA 4



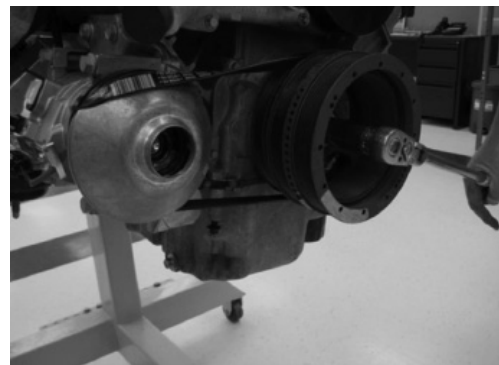
- Coloque la banda, número de parte (12612516) en la parte trasera de la polea del cigüeñal, luego coloque la banda sobre la herramienta de instalación utilizando la posición A según la Figura 5 siguiente.

### FIGURA 5



- Gire la herramienta de instalación de la banda hacia la derecha para tensar la banda según la Figura 6 siguiente.

### FIGURA 6





- Después de que la banda esté debidamente asentada, retire la herramienta de instalación de la banda según la Figura 7 siguiente.

**FIGURA 7**

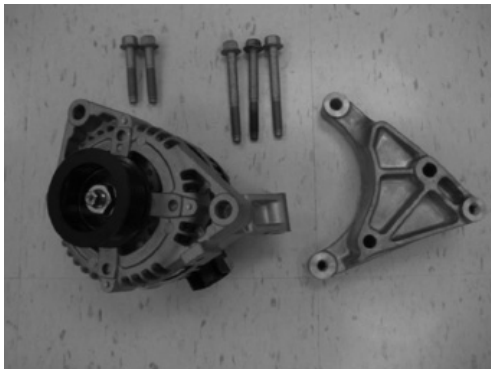


**Instalación del generador**

**Procedimiento de instalación:**

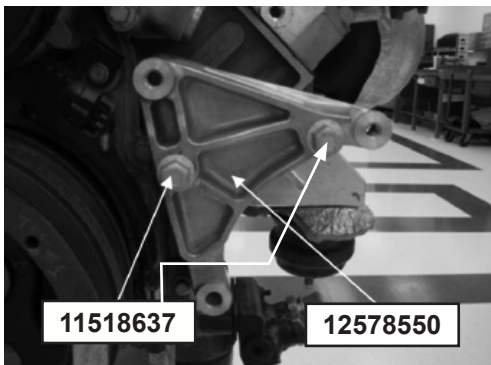
- La Figura 1 siguiente muestra las partes requeridas para realizar el procedimiento de instalación. Consulte esta ilustración y las ilustraciones siguientes en caso de que tenga dudas durante la instalación de varios componentes incluidos en este paquete.

**FIGURA 1**



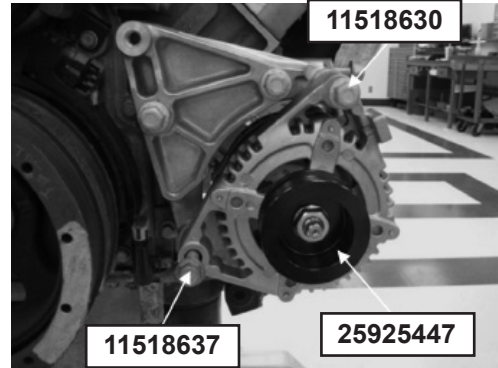
- Instale el soporte del generador, número de parte (12578550) con 2 pernos, número de parte (11518637), al bloque del motor, según la Figura 2 siguiente.

**FIGURA 2**



- Instale el generador, número de parte (25925447) con los pernos, número de parte (11518630) y número de parte (11518637) en el soporte del generador, también utilice el perno, número de parte (11518630) para fijar la parte trasera del generador (no se muestra a continuación) según la Figura 3 siguiente.

**FIGURA 3**



**Instalación de la bomba de la dirección hidráulica**

**Procedimiento de instalación:**

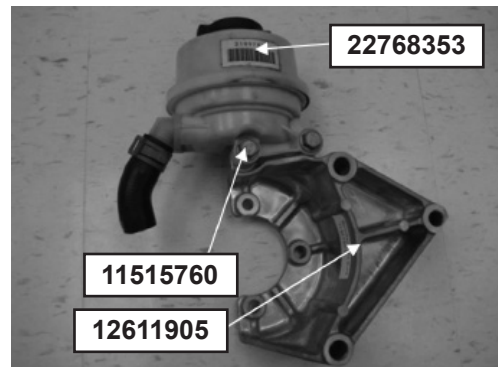
- La Figura 1 siguiente muestra las partes requeridas para realizar el procedimiento de instalación. Consulte esta ilustración y las ilustraciones siguientes en caso de que tenga dudas durante la instalación de varios componentes incluidos en este paquete.

**FIGURA 1**



- Instale el depósito de la bomba de dirección hidráulica, número de parte (22768353) en el soporte de la dirección hidráulica, número de parte (12611905) con los pernos, número de parte (11515760), según la Figura 2 siguiente. Además instale la manguera 15224351 al depósito como se muestra.

**FIGURA 2**

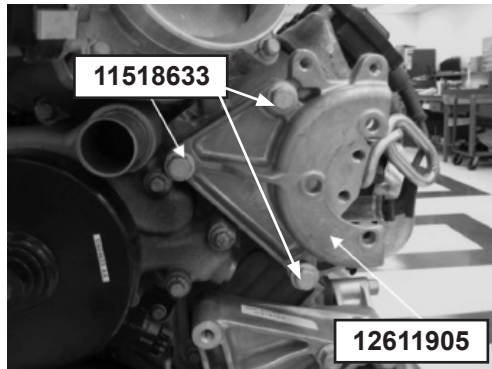






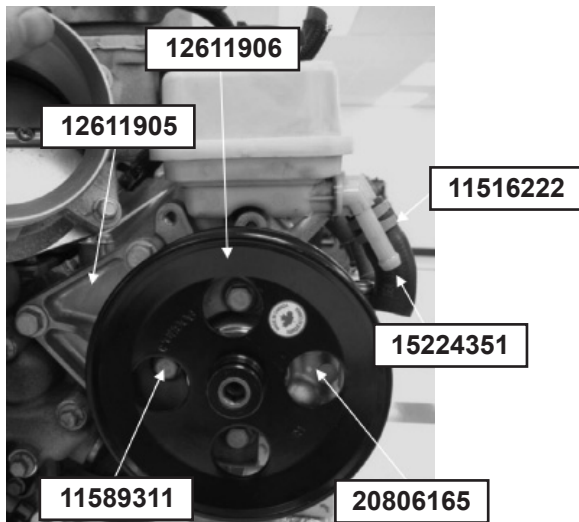
- Instale el soporte de la dirección hidráulica, número de parte (12611905) en el bloque del motor con los pernos, número de parte (11518633), según la Figura 3 siguiente.

**FIGURA 3**



- Instale la bomba de la dirección hidráulica número de parte (20806165) al soporte de la dirección hidráulica y deslice la bomba dentro de la manguera del recipiente al mismo tiempo. Use 3 pernos (11589311) para conectar la bomba al soporte (vea la figura 4 a continuación).  
**Nota:** Instale la polea de la bomba de dirección hidráulica sobre el eje de la bomba con una herramienta de instalación de polea adecuada. ¡No intente accionar la polea sobre el eje de la bomba ya que resultará en daño!

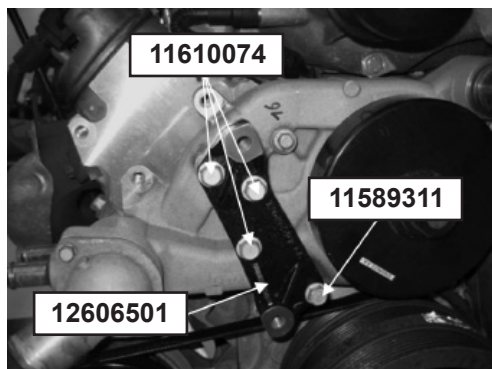
**FIGURA 4**



**Instalación del tensor, polea y banda**

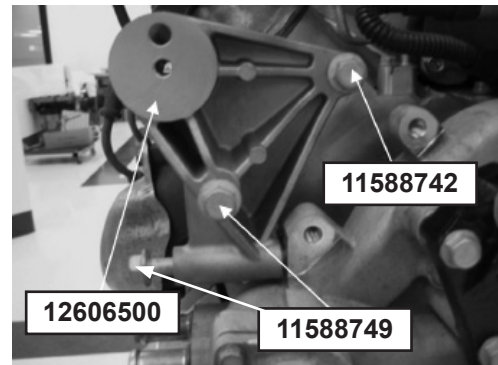
- Instale el soporte, número de parte (12606501) en el bloque del motor con los pernos, número de parte (11610074) y número de parte (11589311) según la Figura 1 siguiente.

**FIGURA 1**



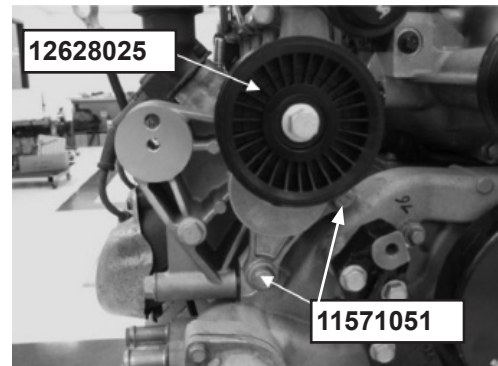
- Instale el soporte, número de parte (12606500) en el bloque del motor con los pernos, número de parte (11588742) y número de parte (11588749) según la Figura 2 siguiente.

**FIGURA 2**



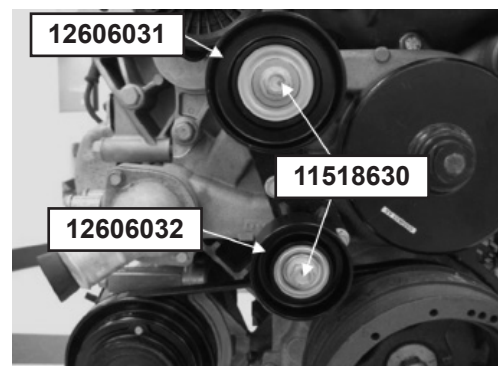
- Instale el tensor, número de parte (12628025) en el bloque del motor con los pernos, número de parte (11571051) según la Figura 3 siguiente.

**FIGURA 3**



- Instale la polea, número de parte (12606031) con el perno, número de parte (11518630) y la polea, número de parte (12606032) con el perno, número de parte (11518630) en el bloque del motor según la Figura 4 siguiente.

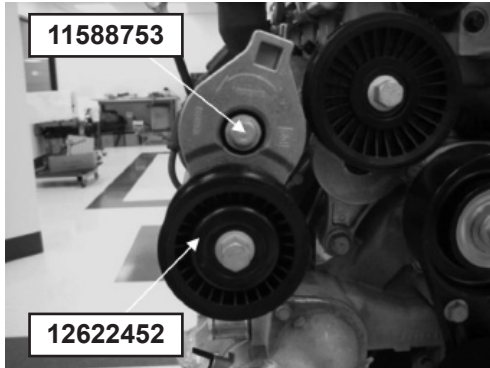
**FIGURA 4**





- Instale el tensor, número de parte (12622452) con el perno, número de parte (11588753) en el bloque del motor según la Figura 5 siguiente.

**FIGURA 5**



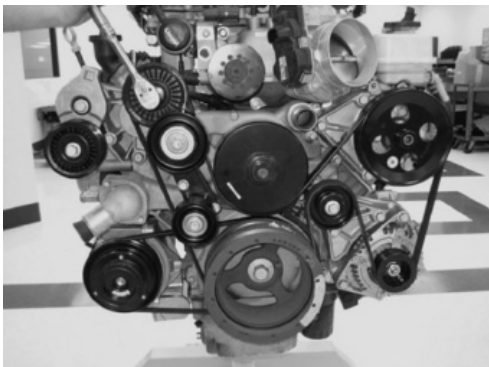
- Instale la polea con el perno, número de parte (12568996), en el soporte de generador, según la Figura 6 siguiente.

**FIGURA 6**



- Con una llave o casquillo de 15mm, instale la banda, número de parte (12628027), según la Figura 7 siguiente.

**FIGURA 7**



- Con una matraca de 1/2", instale la banda, número de parte (12636227), según la Figura 8 siguiente.

**FIGURA 8**

