

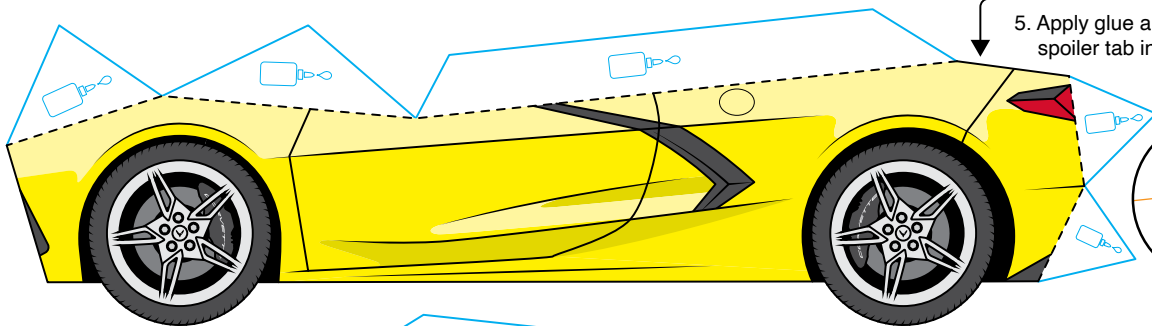
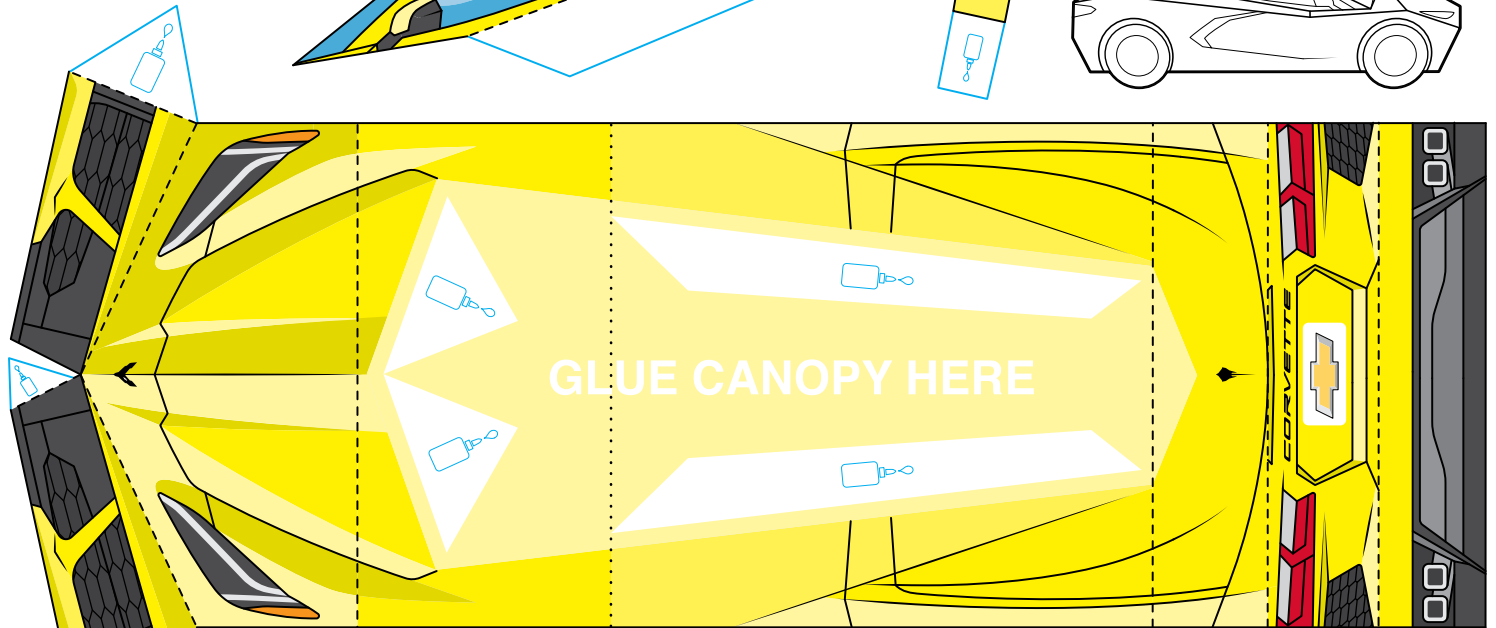
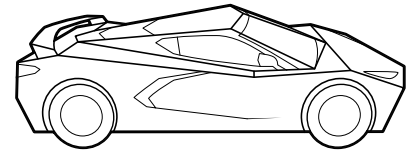
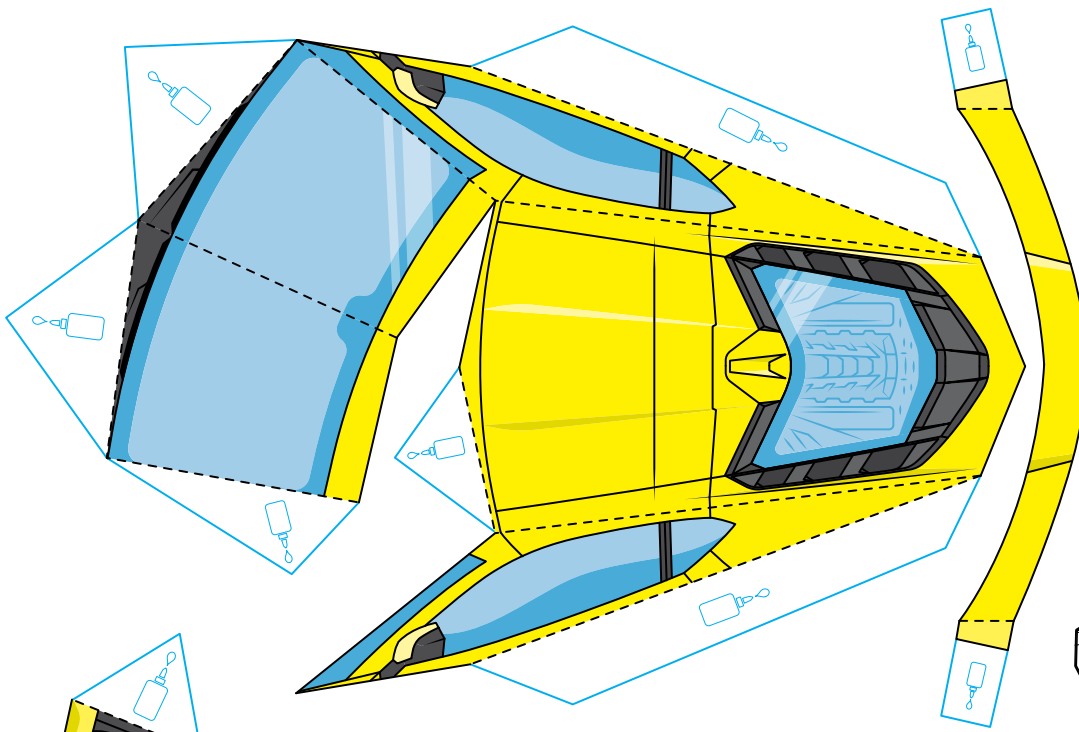
# NEW ROADS

MAGAZINE

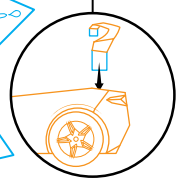
## PAPERCRAFT DREAM GARAGE:

### 2020 Corvette Stingray Accelerate Yellow


When you're done building your dream Corvette, be sure to snap a photo for your social feed and tag it with [#ChevyLove](#).



5. Apply glue and insert spoiler tab into gap here.



#### INSTRUCTIONS:

1. Score all dashed lines to make folding easier. Tracing over dashed lines with a ruler and an empty ball-point pen works well.
2. Cut out. 
3. Fold along all dashed lines.  
MOUNTAIN FOLD - - - - -  
VALLEY FOLD . . . . .
4. Glue tabs and assemble. 