



LS9 Crate Engine (19260165) Specifications Specifications Part Number 19244108

Thank you for choosing Chevrolet Performance as your high performance source. Chevrolet Performance is committed to providing proven, innovative performance technology that is truly... more than just power. Chevrolet Performance parts are engineered, developed and tested to exceed your expectations for fit and function. Please refer to our catalog for the Chevrolet Performance Authorized Center nearest you or visit our website at www.chevroletperformance.com.

This publication provides general information on components and procedures which may be useful when installing or servicing an LS9 Crate engine. **Please read this entire publication before starting work.**

This LS9 Crate engine is assembled using brand new, premium quality components. Due to the wide range of engine applications, if you are retrofitting a previous application, you may encounter installation differences between the LS9 crate engine assembly and the previous engine. These differences may require modifications or additional components not included with the LS9 engine, including cooling, fuel, electrical, and exhaust systems. Some fabrication work may be required.

It is not the intent of these specifications to replace the comprehensive and detailed service practices explained in the GM service manuals. Reference a service manual for a 2010 - 2013 Chevrolet Corvette (LS9) for any additional information not included in this specification.

For information about warranty coverage, please contact your local Chevrolet Performance dealer.

Observe all safety precautions and warnings in the service manuals when installing this LS9 crate engine in any vehicle. Wear eye protection and appropriate protective clothing. When working under or around the vehicle support it securely with jackstands. Use only the proper tools. Exercise extreme caution when working with flammable, corrosive, and hazardous liquids and materials. Some procedures require special equipment and skills. If you do not have the appropriate training, expertise, and tools to perform any part of this conversion safely, this work should be done by a professional.

Legal and Emissions Information

This publication is intended to provide information about the LS9 crate engine and related components. This manual also describes procedures and modifications that may be useful during the installation of an LS9 crate engine. It is not intended to replace the comprehensive service manuals and parts catalogs which cover General Motors engines and components. Rather, it is designed to provide supplemental information in areas of interest to "do-it-yourself" enthusiasts and mechanics.

This publication pertains to engines and vehicles which are used off the public highways except where specifically noted otherwise. Federal law restricts the removal of any part of a federally required emission control system on motor vehicles. Further, many states have enacted laws which prohibit tampering with or modifying any required emission or noise control system. Vehicles which are not operated on public highways are generally exempt from most regulations, as are some special interest and pre-emission vehicles. The reader is strongly urged to check all applicable local and state laws.

Many of the parts described or listed in this manual are merchandised for off-highway application only, and are tagged with the "Special Parts Notice" reproduced here:

Special Parts Notice

This part has been specifically designed for Off-Highway application only. Since the installation of this part may either impair your vehicle's emission control performance or be uncertified under current Motor Vehicle Safety Standards, it should not be installed in a vehicle used on any street or highway. Additionally, any such application could adversely affect the warranty coverage of such an on-street or highway vehicle.

The information contained in this publication is presented without any warranty. All the risk for its use is entirely assumed by the user. Specific component design, mechanical procedures, and the qualifications of individual readers are beyond the control of the publisher, and therefore the publisher disclaims all liability incurred in connection with the use of the information provided in this publication.

Chevrolet, the Chevrolet Bow Tie Emblem, General Motors, and GM are all registered trademarks of the General Motors Corporation. Chevy is a trademark of the General Motors Company.



Package contents:

<u>Item</u>	<u>Description</u>	<u>Quantity</u>	<u>GM Part Number</u>
1	Engine Assembly	1	19260165
2	Engine Instructions	1	19244108
3	Pump Intercooler	1	13581479

Technical Information and Operational Requirements:

Supercharger/Intercooler System:

The LS9 Roots-type supercharger is a positive displacement pump that consists of 2 counter-rotating rotors installed into the lower intake manifold housing. The rotors are designed with 4 lobes and a helical twist. The rotors of the supercharger are designed to run at a minimal clearance, not in contact with each other or the housing and are timed to each other by a pair of precision spur gears which are pressed onto the rotor shafts. The rotors are supported at each end by self-lubricating non-serviceable bearings. The drive belt pulley is pressed onto the input shaft. The input shaft is coupled to the rotor shaft. Both the belt pulley and torsional isolator are also non-serviceable.

The cover assembly has an integrated intercooler. The intercooler uses conventional coolant and must be separate from the engine cooling system. The intercooler assembly includes the cover, two charge air coolers/heat exchangers, a water manifold assembly, two service bleed ports, a factory coolant fill port, and a variety of sensors to monitor air temperature and pressure. The water manifold, located at the front of cover transfers coolant to the cover via four internal transfer tubes. The transfer tubes and water manifold are sealed with O-rings and press-in-place seals. Coolant enters the inlet port of the water manifold assembly, is directed into and through the two charge air coolers/heat exchangers, and exits back into the water manifold. Coolant then exits the water manifold outlet port.

An intercooler cooling system is required to ensure that heat can be removed from the coolant. The system must include appropriately sized lines, radiator, and pump (Provided pump flows a minimum 5.5 gallons per minute flow rate recommended) to ensure the coolant temperature remains in an acceptable range, especially during high boost operating ranges (i.e. heavy accelerations, high throttle positions, etc). **For optimal performance, it is recommended that the coolant temperature be kept below 95 degrees F at the intercooler inlet. It is critical that this temperature be kept below 175 degrees F for safe engine operation.** Use of production components is recommended whenever possible, a list of these parts is included below.

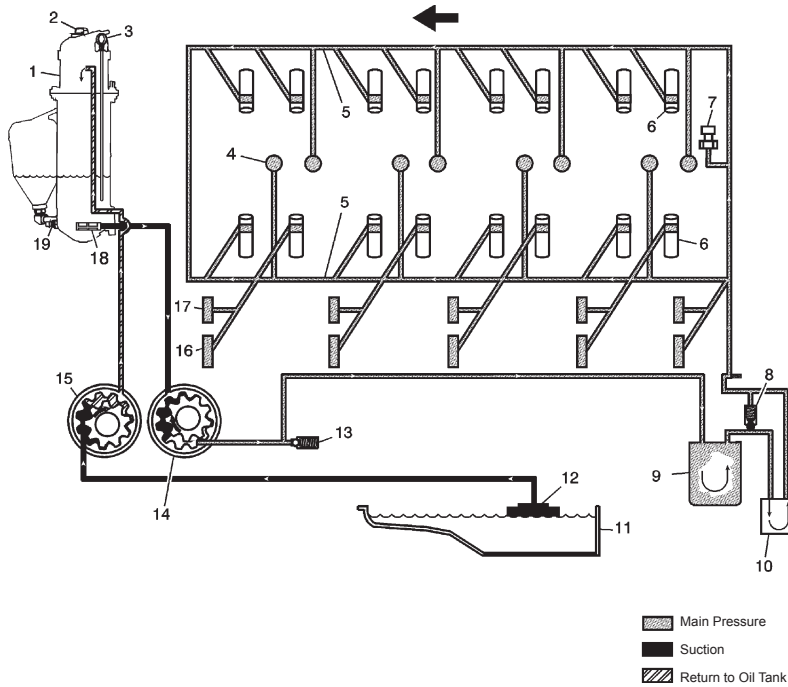
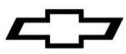
Fuel System:

The production LS9 application operates with a variable fuel pressure system to allow for best performance and driveability. By varying the fuel pressure over the operating range, the required high RPM / high throttle fuel flow can be achieved while still providing the ability to maintain excellent mid-range

driveability and a smooth idle. Under this system, fuel pressure of 87 psi is delivered at high RPM (above 5200 RPM) and high throttle operation to provide adequate fuel flow. Pressure of 60 psi below 1500 RPM for best idle stability and quality. Additionally, the fuel system must be capable of flowing 75 gph at 87 psi. It is critical that constant 75 gph of fuel at 87 psi be available at high RPM / high throttle operating ranges or performance and/or engine durability will be adversely affected.

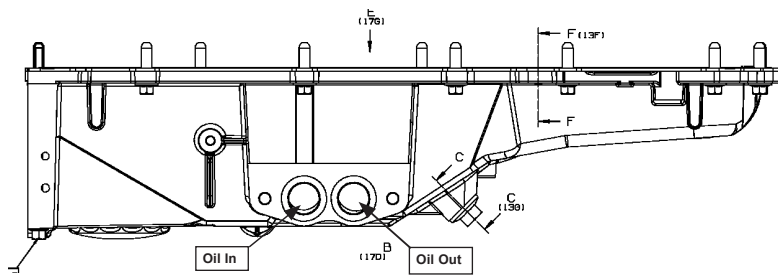
Oil System:

The LS9 Crate Engine is configured as a dry sump oiling system (see diagram below). A remote oil tank and appropriate oil lines are required for this type of installation (the production Corvette oil tank is GM part number 12629421 and is shown in the diagram). Chevrolet Performance p/n 25534412 is an adapter kit to allow use of AN -12 hoses at the oil pan. Engine lubrication is supplied by a gerotor type oil pump assembly. The oil pump assembly consists of 2 pump housings, 2 separate gear sets, and 1 pressure relief valve. The front or forward gear set is the secondary pump (15). The rear or rearward gear set is the primary pump (14). The pump assembly is mounted at the front of the engine and driven directly by the crankshaft sprocket. The primary pump (14) gears rotate and draw oil from the engine oil tank (3) through the oil tank screen (18). The oil is pressurized as it passes through the primary pump and is sent through the engine block lower oil gallery. Contained within the primary pump is a pressure relief valve (13) that maintains oil pressure within a specified range. Pressurized oil is directed through the engine block lower oil gallery to the full flow oil filter (10) where harmful contaminants are removed. A bypass valve is incorporated into the oil filter, which permits oil flow in the event the filter becomes restricted. Oil exits the oil filter and is then directed to the external oil cooler (1). A bypass valve (9) is incorporated into the oil cooler assembly in the event oil flow within the cooler is restricted. Oil returns from the oil cooler and is directed to the upper main oil galleries (6). Oil from the left upper oil gallery is directed to the crankshaft bearings (16), valve lifters 1, 3, 5, and 7, camshaft bearings (17), and piston oil nozzles 1, 3, 5, and 7. Oil from the right upper oil gallery is directed to the valve lifters 2, 4, 6, and 8 and piston oil nozzles 2, 4, 6, and 8. The piston oil nozzle assemblies are designed to provide oil to the bottom side of the piston for cooling purposes. The piston oil nozzles have an internal check ball that is held in the normally closed position by the spring until system oil pressure exceeds 20.7 kPa (43.5 psi). Oil exits the valve lifters and is then pumped through the pushrods to lubricate the valve rocker arms and valve stems. Oil returns to the oil pan (11), where the secondary pump (15) draws oil through a oil pump screen (12). The secondary pump (15) returns oil to the engine oil tank (3). Incorporated within the engine oil tank assembly are the oil level indicator (4), oil fill cap (5), oil temperature sensor (2), positive crankcase ventilation (PCV) fresh air port, and a serviceable oil pump screen (18). The engine oil pressure sensor (8) is located at the top rear of the engine assembly.



Main Pressure
 Suction
 Return to Oil Tank

- | | |
|------------------------------|--------------------------------------|
| 1. Engine Oil Tank | 11. Oil Pan Sump |
| 2. Oil Fill Cap | 12. Oil Pump Screen |
| 3. Oil Level Indicator | 13. Pressure Relief Valve – Oil Pump |
| 4. Piston Oil Nozzle | 14. Oil Pump – Primary |
| 5. Upper Main Oil Galleries | 15. Oil Pump – Secondary |
| 6. Valve Lifters | 16. Crankshaft Bearings |
| 7. Oil Pressure Sensor | 17. Camshaft Bearings |
| 8. Bypass Valve – Oil Cooler | 18. Oil Tank Screen |
| 9. Oil Filter | 19. Oil Temperature Sensor |
| 10. Engine Oil Cooler | |



Accessory Drive

The LS9 Crate Engine requires an accessory drive system. Chevrolet Performance kit #19243524 includes all of the LS9 Corvette accessory drive components, see www.chevroletperformance.com for list of individual components.

Engine Control System

An engine control system is required to operate the LS9 Crate Engine. Check with your Chevrolet Performance dealer or www.chevroletperformance.com for the Chevrolet Performance control system #19299462.

Additional parts that are needed:

Starter

The LS9 crate engine does not include a starter. GM part number 89017847 is matched to this application and is recommended. See your Chevrolet Performance dealer for details.

Air Induction

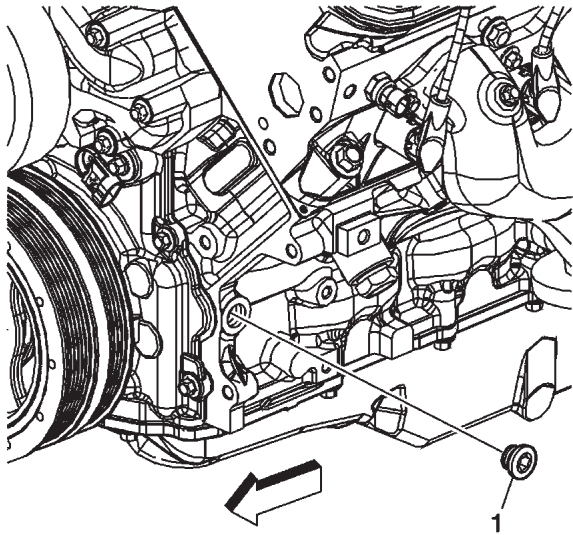
A high-quality, high-flow/low restriction air filter/cleaner should be used to protect the engine. Additionally, your engine control system may have recommendations for air cleaners and intake systems for best performance. Chevrolet Performance universal induction kit 19301246 is available.

Start-up and Break-in Procedures

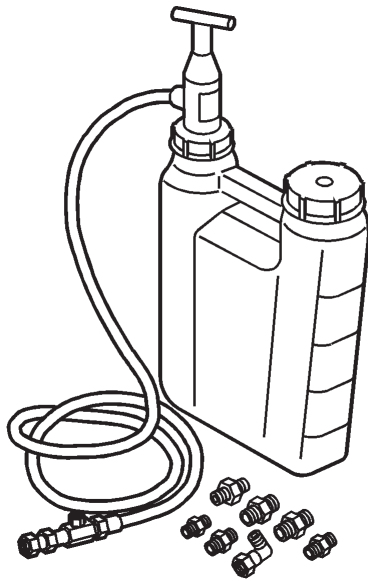
Safety first. If the vehicle is on the ground, be sure the emergency brake is set, the wheels are chocked and the car cannot fall into gear. Verify everything is installed properly and nothing was missed.

1. **This engine assembly needs to be filled with oil.** After installing the engine, ensure the oil system has been filled with the appropriate motor oil to the recommended oil fill level. The LS9 crate engine requires a special oil meeting GM Standard GM4718M (this will be specified on the oil label). DEXOS1 - 5W/30 is one such recommended oil. Other oils meeting this standard may be identified as synthetic. However, not all synthetic oils will meet this GM standard. Look for and use only an oil that meets GM Standard GM4718M. If using GM12629421 oil tank, make sure that the oil level falls within the cross hatched area on the dipstick once the oil is warm. Also check and fill as required any other necessary fluids such as coolant, power steering fluid, etc.
2. This engine **MUST** be primed with oil before starting. The use of Kent-Moore engine preluber kit J45299 is the preferred process for priming.

Note: A constant and continuous flow of clean engine oil is required in order to properly prime the engine. Be sure to use approved engine oil, as specified.



1. Remove the engine oil filter, and fill with clean engine oil.
2. Install the oil filter and tighten.
3. Locate and remove the engine block left front oil gallery plug (1).
4. Install the M16 x 1.5 adapter P/N 509375 J 45299 Engine Preluber.



5. Install the flexible hose to the adapter and open the valve.

6. Pump the handle on the J45299 preluber in order to flow a minimum of 1-1.9 liters (1-2 quarts) engine oil. Observe the flow of engine oil through the flexible hose and into the engine assembly. The engine will be primed after a small amount of pressure change is seen on the in car oil pressure gauge while pumping J45299.
7. Close the valve and remove the flexible hose and adapter from the engine.
8. Apply approved thread sealer and Install the oil gallery plug to the engine and tighten to 60 N•m (44 lb ft).
Top-off the engine oil tank to the proper level.
3. Start the engine and listen for any unusual noises. If no unusual noises are noted, run the engine at approximately 1000 RPM until normal operating temperature is reached.
4. When possible, you should always allow the engine to warm up prior to driving. It is a good practice to allow the oil sump and water temperature to reach 180°F before towing heavy loads or performing hard acceleration runs.
5. The engine should be driven at varying loads and conditions for the first 30 miles or one hour without wide open throttle (WOT) or sustained high RPM accelerations.
6. Run five or six medium throttle (50%) accelerations to about 4000 RPM and back to idle (0% throttle) in gear.
7. Run two or three hard throttle (WOT 100%) accelerations to about 4000 RPM and back to idle (0% throttle) in gear.
8. Change the oil and filter. Replace the oil per the specification in step 1, and replace the filter with a new UPF48R AC Delco oil filter. Inspect the oil and the oil filter for any foreign particles to ensure that the engine is functioning properly.
9. Drive the next 500 miles (12 to 15 engine hours) under normal conditions. Do not run the engine at its maximum rated engine speed. Also, do not expose the engine to extended periods of high load.
10. Change the oil and filter. Again, inspect the oil and oil filter for any foreign particles to ensure that the engine is functioning properly.



LS9 Engine Specifications

Type..... 6.2L Gen IV Small Block V8
 Displacement..... 376 cubic inches
 Bore x Stroke..... 4.065 inch x 3.62 inch
 Compression 9.1:1
 Supercharger Boost Ratio 10.5:1
 Block.....Cast aluminum, six bolt cross-bolted main caps
 Cylinder Head.....Cast aluminum rectangle port
 Valve Diameter (Intake/Exhaust) 2.16"/1.59"
 Chamber Volume..... 68cc
 Crankshaft..... Forged Steel, internally balanced
 Connecting Rods.....Forged Titanium
 Pistons.....Forged aluminum
 CamshaftHydraulic roller tappet
 Lift 562" intake, .558" exhaust
 Duration 211° intake, 230° exhaust @.050" tappet lift
 Rocker Arm Ratio 1.7:1
 Oil Pressure (Minimum, with hot oil)..... 6 psig @ 1000 RPM
 18 psig @ 2000 RPM
 24 psig @ 4000 RPM
 Recommended Oil5w30 Dexos 1 motor oil or equivalent
 (must meet GM4718M specification, which will be
 specified on the oil label)
 Oil Filter AC Delco Part Number UPF48R
 Fuel..... Premium unleaded - 92 (R+M/2)
 Maximum Engine Speed6600 RPM
 Spark Plugs GM 12571165
 AC Delco # 41-104
 Spark Plug Gap040"
 Firing Order 1-8-7-2-6-5-4-3

Information may vary with application. All specifications listed are based on the latest production information available at the time of printing.



Caractéristiques techniques du moteur en caisse LS9 (19260165) Numéro de pièce des caractéristiques techniques 19244108

Nous vous remercions d'avoir choisi Chevrolet Performance comme source de haute performance. Chevrolet Performance s'est engagée à offrir une technologie de rendement éprouvée et novatrice qui est réellement... beaucoup plus que de la puissance. Les pièces de Chevrolet Performance ont été conçues, élaborées et mises à l'essai de manière à dépasser vos attentes de réglage précis et de fonction. Veuillez vous reporter à notre catalogue pour connaître le centre Chevrolet Performance autorisé le plus près de chez vous ou visitez notre site Web à www.chevroletperformance.com.

La présente publication offre de l'information d'ordre général sur les composants et les procédures pouvant s'avérer utile lors de l'installation ou de l'entretien du moteur en caisse LS9. **Veillez lire en entier la présente publication avant de commencer à travailler.**

L'assemblage de ce moteur en caisse LS9 est effectué en utilisant des composants neufs de première qualité. Compte tenu de la vaste gamme d'applications de moteurs, si l'on pose en après-vente une application antérieure, il se peut que l'on constate des différences de pose entre le moteur en caisse LS9 actuel et la version précédente. Ces différences peuvent nécessiter des modifications ou des composants supplémentaires qui ne sont pas compris avec le moteur LS9, y compris les systèmes de refroidissement, électrique et d'échappement, ainsi que le circuit d'alimentation. Il se peut qu'une certaine fabrication soit requise.

Ces caractéristiques techniques ne sont pas destinées à remplacer les pratiques d'entretien complètes et détaillées expliquées dans les manuels d'atelier GM. Se reporter au manuel de réparation de la Chevrolet Corvette 2010-2013 (LS9) pour de plus amples renseignements non inclus dans les présentes caractéristiques techniques.

Pour obtenir de l'information sur l'étendue de la garantie, prière de communiquer avec le concessionnaire Chevrolet Performance local.

Observer toutes les précautions et tous les avertissements en matière de sécurité présentés dans les manuels de réparation au moment de poser ce moteur en caisse LS9 dans n'importe quel véhicule. Porter un protecteur pour la vue et des vêtements de protection appropriés. Lorsqu'on travaille sous ou autour d'un véhicule, le soutenir solidement à l'aide de chandelles. Utiliser seulement les outils appropriés. Faire preuve d'extrême prudence lorsqu'on travaille avec des liquides ou des matériaux inflammables, corrosifs ou dangereux. Certaines procédures nécessitent l'utilisation d'un équipement spécial et des habiletés particulières. Si vous ne possédez pas la formation, l'expertise et les outils nécessaires pour effectuer toute partie de cette conversion en toute sécurité, ce travail devrait être réalisé par un professionnel.

Information juridique et relative aux émissions

La présente publication a pour objet d'offrir des renseignements sur le moteur en caisse LS9 et les composants connexes. Ce guide décrit également les procédures et les modifications pouvant s'avérer utiles lors de l'installation d'un moteur en caisse LS9. Ces renseignements ne sont pas destinés à remplacer les manuels de réparation complets et les catalogues de pièces en matière de moteurs et de composants de la General Motors. Plutôt, ce guide a été conçu pour offrir des renseignements supplémentaires sur les matières pouvant intéresser les «bricoleurs» et les mécaniciens.

Cette publication s'applique aux moteurs et aux véhicules qui sont utilisés hors des voies publiques, sauf indication contraire expresse. Les règlements fédéraux restreignent la dépose des véhicules automobiles de toute partie d'un système antipollution exigé par la loi fédérale. En outre, de nombreux États ont établi des lois qui interdisent le traficage ou la modification de tout système antipollution ou antibruit exigé par la loi. En règle générale, les véhicules qui ne roulent pas sur les voies publiques, tout comme certains véhicules d'intérêt spécial et pré-émissions, sont exempts de la plupart de la réglementation. On suggère fortement au lecteur de consulter tous les règlements municipaux et provinciaux applicables.

Plusieurs des pièces qui sont décrites ou énumérées dans le présent ouvrage sont commercialisées à des fins hors autoroute seulement et elles portent l'étiquette «Special Parts Notice» (avis sur les pièces spéciales) qui est reproduite ici.

Avis spécial sur les pièces

Cette pièce a été conçue spécifiquement pour une application hors route seulement. Puisque la pose de cette pièce pourrait nuire au rendement antipollution du véhicule ou donner lieu à son manque d'homologation en vertu des normes de sécurité actuelles des véhicules automobiles, celle-ci ne doit pas être posée dans un véhicule qui sera utilisé sur une voie publique ou une autoroute. En outre, une telle application pourrait donner lieu à l'annulation de la garantie d'un tel véhicule sur route ou autoroute.

Les renseignements contenus dans cette publication sont présentés sans aucune garantie. Tout risque encouru pendant l'utilisation de cette publication est entièrement assumé par l'utilisateur. La conception de composant spécial, les procédures mécaniques et les qualifications de chaque lecteur sont hors du contrôle de l'éditeur et c'est pourquoi il décline toute responsabilité afférente en lien avec l'utilisation des renseignements fournis dans cette publication.

Chevrolet, l'emblème Chevrolet, General Motors et GM sont des marques déposées de General Motors. Chevy est une marque de commerce de la General Motors Company.



Contenu de l'emballage :

<u>Article</u>	<u>Description</u>	<u>Quantité</u>	<u>Numéro de pièce GM</u>
1	Ensemble moteur	1	19260165
2	Instructions relatives au moteur	1	19244108
3	Refroidisseur d'air de suralimentation à pompe	1	13581479

Renseignements techniques et exigences opérationnelles :

Système de suralimentation et de refroidisseur d'air de suralimentation :

Le suralimenteur Roots LS9 est une pompe volumétrique composée de deux rotors à contre-rotation posés dans le boîtier de collecteur d'admission inférieur. Les rotors sont conçus avec 4 lobes et une torsion hélicoïdale. Les rotors du suralimenteur sont conçus pour fonctionner à un dégagement minimal, sans entrer en contact l'un avec l'autre ou avec le boîtier et sont synchronisés avec une paire d'engrenages droits de précision montés à la presse sur les arbres de rotor. Les rotors sont supportés à chaque extrémité par des paliers autolubrifiants non réparables. La poulie de courroie d'entraînement est montée à la presse sur l'arbre d'entrée. L'arbre d'entrée est accouplé à l'arbre de rotor. La poulie de courroie et l'amortisseur de torsion sont également non réparables.

L'ensemble couvercle est équipé d'un refroidisseur intermédiaire intégré. Le refroidisseur intermédiaire utilise du liquide de refroidissement classique, séparé du circuit de refroidissement du moteur. L'ensemble refroidisseur intermédiaire comprend le couvercle, deux échangeurs de chaleur et refroidisseurs d'air de suralimentation, deux orifices de purge d'entretien, un orifice de remplissage de liquide de refroidissement en usine et différents capteurs pour surveiller la température et la pression de l'air. Le collecteur d'eau, situé à l'avant du couvercle, transfère le liquide de refroidissement au couvercle par quatre tubes de transferts internes. L'étanchéité de tubes de transfert et du collecteur d'eau est assurée par des joints toriques et des joints d'étanchéité à insertion. Le liquide de refroidissement entre dans l'orifice d'entrée de l'ensemble collecteur d'eau, traverse les refroidisseurs/échangeurs thermiques d'air de suralimentation, puis retourne dans le collecteur d'eau. Le liquide de refroidissement sort par l'orifice de sortie du collecteur d'eau.

Le système de refroidissement du refroidisseur intermédiaire est nécessaire pour s'assurer que la chaleur puisse s'échapper du liquide de refroidissement. Le système doit comprendre des canalisations de dimension appropriée, un radiateur et une pompe (la pompe fournie produit un débit minimal recommandé est de 5,5 gallons par minute) afin de s'assurer que la température du liquide de refroidissement demeure dans une plage acceptable, surtout pendant les plages de fonctionnement à suralimentation élevée (p.ex. fortes accélérations, positions élevées du papillon des gaz, etc.). **Pour un rendement optimal, il est recommandé que la température du liquide de refroidissement soit maintenue sous 95 degrés F au niveau de l'entrée du refroidisseur intermédiaire. Il est essentiel que cette température soit maintenue sous 175 degrés F pour assurer un fonctionnement sécuritaire du moteur.** L'utilisation de composants d'origine est recommandée chaque fois que possible; une liste de ces pièces est donnée ci-dessous.

Circuit d'alimentation en carburant :

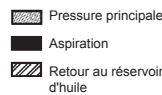
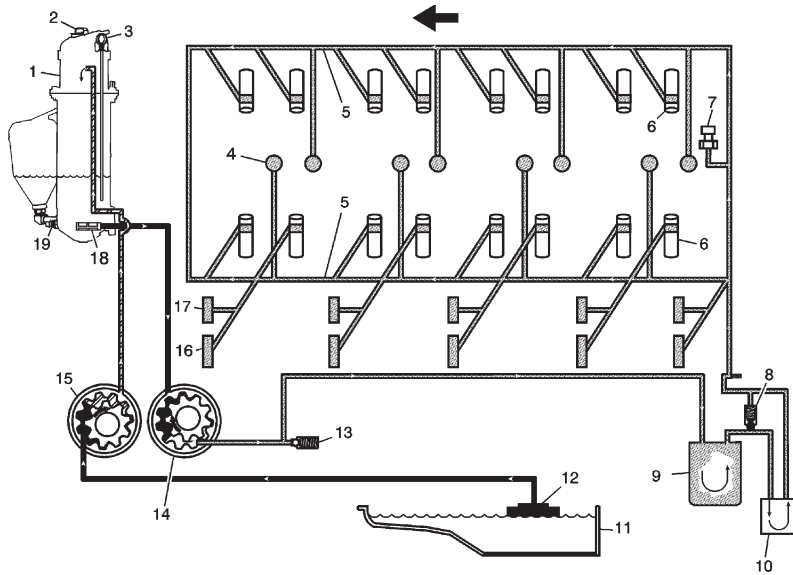
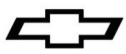
L'application LS9 de production fonctionne avec un système de pression de carburant variable, ce qui permet d'obtenir un meilleur rendement et un meilleur comportement du véhicule. La variation de la pression de carburant dans l'ensemble de la plage de fonctionnement permet d'atteindre le débit de carburant nécessaire à régime élevé et à des positions élevées du papillon des gaz, tout en permettant de maintenir un excellent comportement en milieu de plage et un ralenti doux. Dans ce système, la pression de carburant de 87 psi est délivrée à régime élevé (au-dessus de 5200 tr/min) et à des positions de papillon élevées pour fournir le débit de carburant approprié. Pression de 60 psi sous 1500 tr/min pour un régime de ralenti stable de qualité. De plus, le circuit de carburant doit être en mesure de fournir 75 gal/h à 87 psi. Il est essentiel que le débit de carburant soit de 75 gal/h à 87 psi dans les plages de fonctionnement à régime élevé / positions élevées du papillon des gaz, sinon le rendement ou la durabilité du moteur risquent de diminuer.



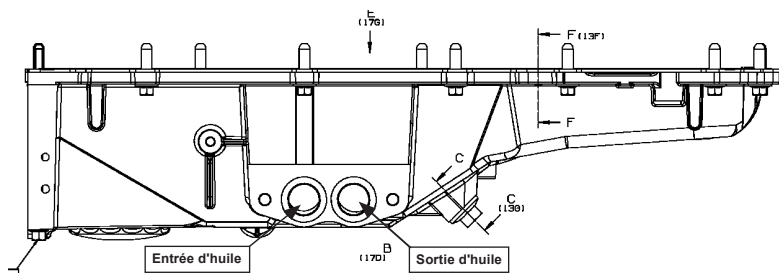
Circuit d'huile :

Le moteur en caisse LS9 fonctionne à carter sec (voir le schéma ci-dessous). Un réservoir d'huile distant et des conduites d'huiles appropriées sont requis pour ce type de pose (le réservoir d'huile d'origine de la Corvette est le numéro de pièce GM 12629421, illustré dans le schéma). Le numéro de pièce Chevrolet Performance 25534412 est une trousse d'adaptateur pour permettre l'utilisation de flexibles AN-12 au carter d'huile. Le moteur est lubrifié avec un ensemble pompe à huile type gérotor. L'ensemble pompe à huile est constitué de deux boîtiers de pompe, de deux jeux de roue dentée séparés et d'un détendeur de pression. Le jeu de roues dentées avant est celui de la pompe secondaire (15). Le jeu de roues dentées arrière est celui de la pompe principale (14). L'ensemble pompe est monté à l'avant du moteur et fonctionne par entraînement direct du pignon de vilebrequin. Les roues dentées de la pompe principale (14) tournent et aspirent l'huile du réservoir d'huile moteur (3) à travers la crépine du réservoir d'huile (18). L'huile est mise sous pression lorsqu'elle traverse la pompe principale, puis est envoyée dans les canalisations d'huile inférieures du bloc-moteur. La pompe principale contient un détendeur de pression (13) qui maintient la pression d'huile dans une plage définie. L'huile sous pression circule dans les canalisations d'huile inférieures du bloc-moteur jusqu'au filtre à huile plein débit (10) où sont piégés les contaminants dommageables. Une vanne de dérivation est intégrée dans le filtre à huile afin de permettre à l'huile de circuler en cas d'obstruction du filtre. L'huile quitte le filtre puis circule jusqu'au refroidisseur d'huile externe (1). Une vanne de dérivation (9) est intégrée dans l'ensemble refroidisseur d'huile en cas d'obstruction de la circulation d'huile dans le refroidisseur. L'huile quitte le refroidisseur d'huile puis circule jusqu'aux canalisations d'huile principales supérieures (6). L'huile provenant des

canalisations d'huile supérieures gauches circule jusqu'aux paliers de vilebrequin (16), poussoirs de soupape 1, 3, 5 et 7, paliers d'arbre à cames (17) et gicleurs d'huile de piston 1, 3, 5 et 7. L'huile provenant des canalisations d'huile supérieures droites circule jusqu'aux poussoirs de soupape 2, 4, 6 et 8 et aux gicleurs d'huile de piston 2, 4, 6 et 8. Les ensembles gicleur d'huile de piston sont conçus pour projeter de l'huile sous les pistons pour les refroidir. Les gicleurs d'huile de piston sont dotés d'une bille antiretour interne maintenue en position normalement fermée par un ressort jusqu'à ce que la pression du circuit d'huile excède 20,7 kPa (43,5 psi). L'huile quitte les poussoirs de soupape, puis est pompée dans les tiges de poussoir pour lubrifier les culbuteurs de soupape et les tiges de soupape. L'huile retourne dans le carter d'huile (11) où la pompe secondaire (15) aspire l'huile par une crépine de pompe à huile (12). La pompe secondaire (15) renvoie l'huile au réservoir d'huile moteur (3). L'ensemble réservoir d'huile moteur comprend l'indicateur de niveau d'huile (4), le bouchon de remplissage d'huile (5), la sonde de température d'huile (2), l'orifice d'air frais de recyclage des gaz de carter (RGC) et une crépine de pompe à huile remplaçable (18). Le capteur de pression d'huile moteur (8) est situé du côté arrière supérieur du moteur.



- | | |
|--|---|
| 1. Réservoir d'huile moteur | 11. Carter d'huile |
| 2. Bouchon de remplissage d'huile | 12. Crépine de pompe à huile |
| 3. Indicateur de niveau d'huile | 13. Détendeur de pression – pompe à huile |
| 4. Gicleur d'huile de piston | 14. Pompe à huile – principale |
| 5. Canalisations d'huile principales supérieures | 15. Pompe à huile – secondaire |
| 6. Poussoirs de soupape | 16. Paliers de vilebrequin |
| 7. Capteur de pression d'huile | 17. Paliers d'arbre à cames |
| 8. Vanne de dérivation – refroidisseur d'huile | 18. Crépine de réservoir d'huile |
| 9. Filtre à l'huile | 19. Sonde de température d'huile |
| 10. Refroidisseur d'huile moteur | |



Entraînement des accessoires

Le moteur en caisse LS9 requiert un système d'entraînement des accessoires. La trousse Chevrolet Performance no 19243524 comprend tous les composants du système

d'entraînement des accessoires Corvettes LS9; visitez l'adresse www.chevroletperformance.com pour voir la liste des composants.

Système de commande du moteur

Un système de commande du moteur est nécessaire au moteur en caisse LS9. Vérifiez auprès d'un concessionnaire Chevrolet Performance ou visitez l'adresse www.chevroletperformance.com pour le système de commande Chevrolet Performance no 19299462.

Pièces supplémentaires requises :

Démarrateur

Le moteur en caisse LS9 ne comprend pas de démarreur. Le numéro de pièce 89017847 de GM correspond à cet application et est recommandé. Prière de consulter son concessionnaire Chevrolet Performance pour obtenir les détails.

Admission d'air

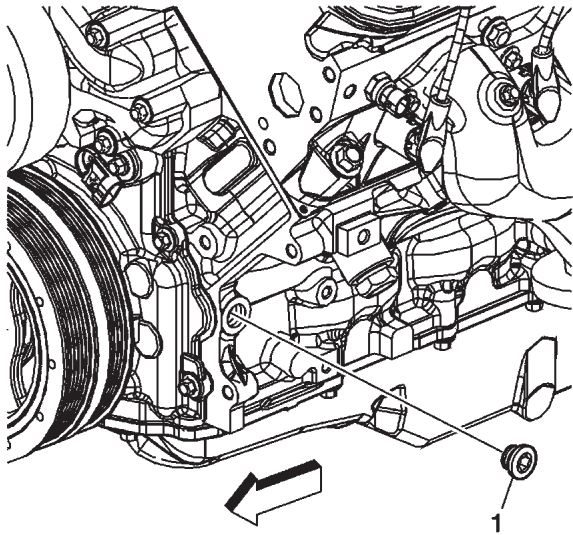
Il faut utiliser un filtre à air à faible restriction/débit élevé de haute qualité pour protéger le moteur. En outre, il se peut que certains filtres à air et systèmes d'admission soient recommandés pour le rendement optimal du système de commande du moteur. Chevrolet Performance offre la trousse d'admission directe universelle 19301246.

Procédures de démarrage et de rodage

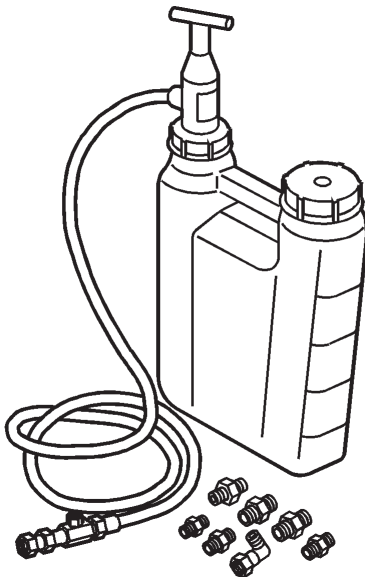
La sécurité d'abord. Si le véhicule est sur le sol, s'assurer que le frein de stationnement est engagé, que les roues sont calées et que le véhicule ne peut s'engager dans un rapport. Vérifier si tout est installé adéquatement et que rien ne manque.

- Ce moteur doit être rempli d'huile.** Après avoir posé le moteur, s'assurer que le circuit d'huile a été rempli avec l'huile moteur appropriée jusqu'au niveau de remplissage d'huile recommandé. Le moteur en caisse LS9 nécessite l'utilisation d'une huile spéciale conforme à la norme GM4718M (cela sera indiqué sur l'étiquette d'huile). L'huile DEXOS1 - 5W30 est une huile recommandée. Les autres huiles qui sont conformes à cette norme pourraient être identifiées comme étant synthétiques. Toutefois, ce ne sont pas toutes les huiles synthétiques qui sont conformes à la norme GM. Rechercher et utiliser uniquement une huile qui satisfait la norme GM GM4718M. En cas d'utilisation du réservoir de huile GM12629421, s'assurer que le niveau d'huile se situe dans la plage hachurée de l'indicateur de niveau d'huile lorsque l'huile est chaude. Vérifier et ajouter tout autre liquide nécessaire, comme du liquide de refroidissement, du liquide de direction assistée, etc.
- Ce moteur DOIT être amorcé avec de l'huile avant le démarrage. L'utilisation de la trousse de pré lubrificateur de moteur Kent-More J45299 constitue le processus d'amorçage privilégié.

Remarque : Pour amorcer correctement le moteur, il faut un débit régulier et continu d'huile moteur propre. S'assurer d'utiliser une huile moteur approuvée, comme il est indiqué.



1. Déposer le filtre d'huile du moteur et le remplir d'huile moteur propre.
2. Poser le filtre à huile et serrer.
3. Repérer et déposer le bouchon de galerie de graissage (1) avant gauche du bloc-moteur.
4. Poser l'adaptateur M16 x 1,5 N/P 509375 J 45299 de prégraissage du moteur.



5. Poser le tuyau souple sur l'adaptateur et ouvrir la soupape.

6. Pomper la poignée sur le prélubrificateur J45299 afin d'obtenir un débit minimum de 1 à 1,9 litre (1 à 2 quarts) d'huile moteur. Observer le débit de l'huile moteur par le tuyau souple et dans l'ensemble de moteur. Le moteur sera amorcé après qu'on ait constaté un petit changement dans la quantité de pression dans la jauge de pression d'huile pendant le pompage du J45299.
7. Fermer la soupape et déposer le tuyau souple et l'adaptateur du moteur.
8. Appliquer du produit d'étanchéité de filetage approuvé et poser le bouchon de galerie d'huile sur le moteur, puis serrer à 60 Nm (44 lb pi).
Ajouter de l'huile moteur dans le réservoir jusqu'au bon niveau.
3. Démarrer le moteur et écouter afin de déceler la présence de bruits inhabituels. Si aucun bruit inhabituel n'est remarqué, laisser tourner le moteur à environ 1 000 tours par minute jusqu'à ce qu'il atteigne sa température de fonctionnement normale.
4. Lorsque cela est possible, vous devriez toujours permettre au moteur de se réchauffer avant de conduire. Une bonne pratique est de permettre à la température du carter d'huile et de l'eau d'atteindre 180°F avant de tirer de lourdes charges ou de faire des courses à accélération brusque.
5. Le moteur devrait être entraîné à différentes charges et dans différentes conditions les 30 premiers milles ou pendant une heure sans être au régime maximal (WOT) ou sans subir d'accélération brusques du nombre de tours par minute.
6. Effectuer cinq ou six accélérations à gaz moyens (50 %) jusqu'à environ 4 000 tr/min puis retourner à la marche au ralenti (0 % des gaz) en prise.
9. Effectuer deux ou trois accélérations dures (pleins gaz à 100 %) jusqu'à environ 4 000 tr/min puis retourner à la marche au ralenti (0 % des gaz) en prise.
8. Vidanger l'huile et remplacer le filtre. Vidanger l'huile en suivant les caractéristiques techniques présentées à l'étape 1 et remplacer le filtre avec un nouveau filtre à huile UPF48R AC Delco. Vérifier l'huile et le filtre à huile afin de repérer toute particule étrangère pour s'assurer que le moteur fonctionne correctement.
9. Conduire la prochaine distance de 500 milles (de 12 à 15 heures moteur) dans des conditions normales. Ne pas faire tourner le moteur à sa vitesse nominale maximale. De plus, ne pas exposer le moteur à des périodes prolongées de charge élevée.
10. Vidanger l'huile et remplacer le filtre. Vérifier l'huile et le filtre à huile de nouveau afin de repérer toute particule étrangère pour s'assurer que le moteur fonctionne correctement.



Caractéristiques techniques du moteur LS9

Type..... V8 de 6,2 L à bloc compact de 4e génération
 Cylindrée376 pouces cubes
 Alésage x course.....4,065 po x 3,62 po
 Compression9.1:1
 Rapport de suralimentation 10.5:1
 Bloc..... Aluminium moulé, six boulons fixés latéralement aux
chapeaux principaux
 Culasse.....Aluminium moulé, orifice rectangulaire
 Diamètre des soupapes
 (admission et échappement)2,16 po/1,59 po
 Volume de la chambre..... 68 cc
 Vilebrequin..... Acier forgé, équilibré par contrepoids
 BiellesTitane forgé
 Pistons.....Aluminium forgé
 Arbre à cames Poussoir à galet hydraulique
 Levée Admission 0,562 po, échappement 0,558 po
 DuréeAdmission 211°, échappement 230°
 à levée de poussoir de 0,050 po
 Rapport des culbuteurs 1,7:1
 Pression d'huile
 (minimale, avec huile chaude)..... 6 psig à 1 000 tr/min
18 psig à 2 000 tr/min
24 psig à 4 000 tr/min
 Huile recommandéeHuile à moteur Dexos 1 5W30 ou
l'équivalent (huile conforme à la norme GM4718M,
 qui sera précisée sur l'étiquette de la bouteille d'huile)
 Filtre à huileNuméro de pièce UPF48R d'AC Delco
 Carburant..... Supercarburant sans plomb - 92 (R+M/2)
 Régime maximal du moteur.....6 600 tr/min
 Bougies d'allumage GM 12571165
AC Delco n° 41-104
 Écartement des électrodes.....0,040 po
 Ordre d'allumage 1-8-7-2-6-5-4-3

L'information peut varier selon l'application. Toutes les caractéristiques techniques énumérées sont basées sur les plus récentes données de production disponibles à la date d'impression.



Especificaciones del motor armado LS9 (19260165) Número de parte de especificaciones 19244108

Gracias por elegir Chevrolet Performance como su fuente de alto desempeño. Chevrolet Performance está comprometido a proporcionar tecnología de desempeño comprobada e innovadora que en realidad... sea más que sólo potencia. Las partes de Chevrolet Performance están diseñadas, desarrolladas y probadas para exceder sus expectativas de ajuste y función. Por favor consulte nuestro catálogo respecto al Centro Autorizado de Chevrolet Performance más cercano a usted o visite nuestra página en Internet en www.chevroletperformance.com.

Esta publicación brinda información general sobre los componentes y procedimientos que pudieran ser útiles al instalar o dar servicio a su motor armado LS9. **Por favor lea esta publicación completa antes de comenzar el trabajo.**

Este motor armado LS9 se ensambla utilizando componentes nuevos de primera calidad. Debido a la amplia gama de aplicaciones de motor, si usted está actualizando una aplicación anterior, puede encontrar diferencias de instalación entre el conjunto del motor armado LS9 y el motor anterior. Estas diferencias pueden requerir modificaciones o componentes adicionales no incluidos con el motor LS9, incluyendo sistemas de enfriamiento, combustible, eléctricos y del escape. Se puede requerir trabajo de fabricación.

No se pretende que estas especificaciones reemplace las prácticas de servicio completas y detalladas explicadas en los manuales de servicio GM. Consulte un manual de servicio para un vehículo Chevrolet Corvette 2010 - 2013 (LS9) para obtener información adicional que no se incluya en esta especificación.

Para información sobre cobertura de la garantía, por favor póngase en contacto con su concesionario local de Chevrolet Performance.

Observe todas las precauciones de seguridad y advertencias de los manuales de servicio durante la instalación de un motor armado LS9 en cualquier vehículo. Utilice protección para los ojos y ropa de protección adecuada. Cuando trabaje debajo o alrededor del vehículo, apóyelo firmemente con soportes de gato. Sólo use las herramientas adecuadas. Tenga mucha precaución cuando trabaje con líquidos y materiales inflamables, corrosivos y peligrosos. Algunos procedimientos requieren equipo y habilidades especiales. Si no tiene la capacitación, experiencia, y herramientas apropiadas para realizar cualquier parte de esta conversión con seguridad, este trabajo debe ser realizado por un profesional.

Información legal y sobre emisiones

Esta publicación ha sido diseñada para proporcionar información acerca del motor armado LS9 y componentes relacionados. Este manual también describe procedimientos y modificaciones que pudieran ser útiles durante la instalación de un motor armado LS9. No está diseñada para sustituir a los exhaustivos manuales de servicio y catálogos de partes que cubren los motores y componentes General Motors. Más bien, está diseñada para brindar información complementaria en áreas de interés para los entusiastas del "hágalo usted mismo" y los mecánicos.

Esta publicación concierne a motores y vehículos que se utilizan fuera de las carreteras públicas, excepto cuando se indica específicamente lo contrario. La ley federal restringe el retiro de cualquier parte de un sistema de control de emisiones requerido por orden federal de los vehículos de motor. Más aún, muchos estados han promulgado leyes que prohíben alterar o modificar cualquier sistema de control de emisiones o ruidos. Los vehículos que no son operados en carreteras públicas generalmente están exentos de la mayoría de las normas, al igual que algunos vehículos de interés especial y pre-emisiones. Se le exhorta atentamente al lector verificar todas las leyes locales y estatales aplicables.

Muchas de las partes descritas o enlistadas en este manual se comercializan para para su aplicación fuera de carretera, y están etiquetadas con el "Aviso sobre Partes Especiales" que se reproduce aquí:

Aviso sobre partes especiales

Esta parte ha sido diseñada específicamente para aplicación fuera de carretera únicamente. Debido que la instalación de esta parte puede afectar el desempeño del control de emisiones de su vehículo o dejarlo fuera de certificación según los Estándares de seguridad de vehículos de motor, no se debe instalar en un vehículo que se utilice en cualquier calle o carretera. Adicionalmente, cualquier aplicación tal puede afectar adversamente la cobertura de la garantía de tales vehículos para aplicación en calles o carreteras.

La información contenida en esta publicación se presenta sin ninguna garantía. El usuario asume completamente todo el riesgo por su uso. El diseño de componentes específicos, los procedimientos mecánicos, y las calificaciones de los lectores están más allá del control del editor, y por lo tanto el editor declina cualquier responsabilidad incurrida en conexión con el uso de la información provista en esta publicación.

Chevrolet, el Emblema de Corbatín Chevrolet, General Motors, y GM son marcas comerciales registradas de General Motors Corporation. Chevy es una marca comercial de General Motors Company.



Contenido del paquete:

<u>Partida</u>	<u>Descripción</u>	<u>Cantidad</u>	<u>Número de parte GM</u>
1	Conjunto del motor	1	19260165
2	Instrucciones para el motor	1	19244108
3	Interenfriador de la bomba	1	13581479

Información técnica y requerimientos operacionales:

Sistema de supercargador/interenfriador:

El supercargador tipo LS9 Roots es una bomba de desplazamiento positivo que consiste en 2 rotores en contra-rotación instalados en el alojamiento del múltiple de admisión inferior. Los rotores están diseñados con 4 lóbulos y un giro helicoidal. Los rotores del supercargador están diseñados para operar a una holgura mínima, sin estar en contacto entre sí o con el alojamiento, y están sincronizados entre sí mediante un par de engranajes dentados de precisión, los cuales presionan los ejes del rotor. Los rotores se apoyan en cada extremo mediante cojinetes autolubricantes no reparables. La polea de la banda de transmisión se presiona en el eje de entrada. El eje de entrada está acoplado al eje del rotor. Tanto la polea de la banda como el aislador torsional son no reparables.

El ensamble de la cubierta tiene un interenfriador integrado. El interenfriador usa refrigerante convencional y se debe separar del sistema de enfriamiento del motor. El ensamble del interenfriador incluye la cubierta, dos enfriadores de aire de carga/intercambiadores de calor, un ensamble de múltiple de agua, dos puertos de purga de servicio, un puerto de relleno de refrigerante en fábrica, y una variedad de sensores para monitorear la temperatura y presión del aire. El múltiple de agua, ubicado al frente de la cubierta transfiere refrigerante a la cubierta por medio de cuatro tubos internos de transferencia. Los tubos de transferencia y el múltiple de agua están sellados con anillos O y sellos insertados a presión en su lugar.

El refrigerante entra al puerto de admisión del ensamble del múltiple de agua, se dirige hacia adentro y a través de los dos enfriadores de aire de carga/intercambiadores de calor, y sale hacia atrás al múltiple de agua. El refrigerante entonces sale del puerto de salida del múltiple de agua.

Un sistema de enfriamiento del interenfriador tiene que asegurar que se pueda quitar el calor del refrigerante. El sistema debe incluir líneas, radiador y bomba del tamaño apropiado (previando que la bomba haga fluir una tasa de flujo mínima de 5.5 galones por minuto recomendada) para asegurar que la temperatura del refrigerante permanezca en un rango aceptable, en especial durante los rangos de operación de alto impulso (es decir, aceleraciones bruscas, posiciones elevadas del acelerador, etc.). **Para un desempeño óptimo, se recomienda mantener la temperatura del refrigerante por debajo de 95 grados F en la entrada del interenfriador. Es imprescindible mantener la temperatura por debajo de 175 grados F para una operación segura del motor.** Se recomienda el uso de los componentes de producción siempre que sea posible, a continuación se incluye una lista de estas partes.

Sistema de combustible:

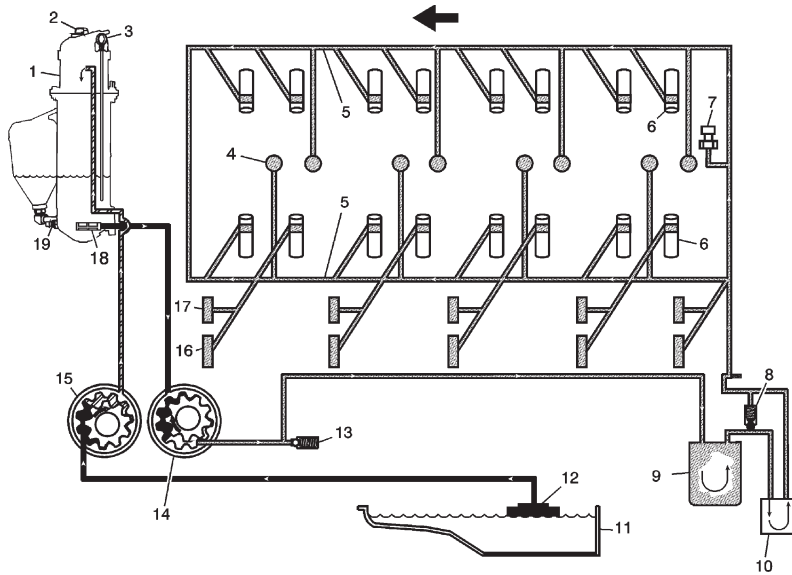
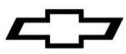
La aplicación LS9 de producción opera con un sistema de presión de combustible variable, para permitir un desempeño y conducción óptimos. Al variar la presión del combustible sobre el rango de operación, es posible obtener el flujo de combustible requerido de altas RPM / alta aceleración, al tiempo que se proporciona la habilidad de mantener una conducción de rango medio excelente y un ralentí estable. Bajo este sistema, se descarga una presión de combustible de 87 psi en altas RPM (arriba de 5200 RPM) y operación elevada de acelerador para proporcionar el flujo adecuado de combustible. Presión de 60 psi debajo de 1500 RPM para mejor estabilidad y calidad de marcha en vacío. Además, el sistema de combustible debe ser capaz de proveer un flujo de 75 gph a 87 psi. Es imprescindible que haya 75 gph de combustible a 87 psi disponibles en los rangos de operación de altas RPM / aceleración, de lo contrario el desempeño y/o la resistencia del motor se verán afectados de manera adversa.



Sistema de aceite:

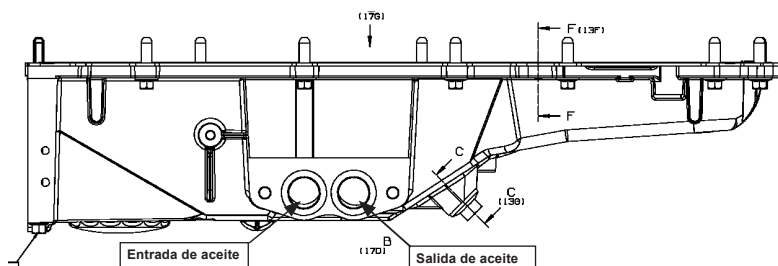
El motor armado LS9 está configurado como un sistema de lubricación de sumidero seco (vea el siguiente diagrama). Se requieren un tanque de aceite remoto y las líneas de aceite apropiadas para este tipo de instalación (el tanque de aceite del vehículo Corvette de producción es el número de parte GM 12629421 y se muestra en el diagrama). El No. de parte Chevrolet Performance 25534412 es un juego de adaptador para permitir el uso de mangueras AN-12 en el cárter de aceite. La lubricación del motor se suministra por un ensamble de bomba de aceite tipo gerotor. El ensamble de la bomba de aceite consiste en 2 alojamientos de bomba, 2 juegos de engrane separados, y 1 válvula de alivio de presión. El juego de engrane frontal o delantero es la bomba secundaria (15). El juego de engrane trasero o posterior es la bomba primaria (14). El ensamble de la bomba se instala al frente del motor y se acciona directamente por la corona dentada del cigüeñal. Los engranes de la bomba primaria (14) giran y succionan aceite desde el tanque de aceite del motor (3) a través del tanque de aceite (18). El aceite está presurizado conforme pasa a través de la bomba primaria y se envía a través de la galería de aceite inferior del bloque del motor. Dentro de la bomba primaria se encuentra la válvula de alivio de presión (13) que mantiene la presión de aceite dentro de un rango especificado. El aceite presurizado se dirige a través de la galería de aceite inferior del bloque del motor al filtro de aceite de flujo pleno (10) donde se retiran los contaminantes dañinos. Se incorpora una válvula de derivación en el filtro de aceite, que permite flujo de aceite en el caso que el filtro se restrinja. El aceite sale del filtro de aceite y después

se dirige al enfriador de aceite externo (1). Una válvula de derivación (9) se incorpora en el ensamble del enfriador de aceite en el caso que el flujo de aceite dentro del enfriador se restrinja. El aceite regresa desde el enfriador de aceite y se dirige a las galerías superiores de aceite principal (6). El aceite de la galería de aceite superior izquierda se dirige a los cojinetes del cigüeñal (16), elevadores de válvula 1, 3, 5, y 7, cojinetes de árbol de levas (17), y boquillas de aceite de pistón 1, 3, 5, y 7. El aceite de la galería de aceite superior derecha se dirige a los elevadores de válvula 2, 4, 6 y 8 y las boquillas de aceite del pistón 2, 4, 6, y 8. Los ensambles de boquilla de aceite del pistón están diseñados para proporcionar aceite al lado inferior del pistón para propósitos de enfriamiento. Las boquillas de aceite del pistón tienen una bola de retención interna que se mantiene en posición normalmente cerrada por el resorte hasta que la presión de aceite del sistema excede 20.7 kPa (43.5 psi). El aceite sale de los elevadores de válvula y entonces se bombea a través de las varillas de empuje para lubricar los brazos del balancín de la válvula y los vástagos de la válvula. El aceite regresa al cárter de aceite (11), donde la bomba secundaria (15) succiona aceite a través de una pantalla de la bomba de aceite (12). La bomba secundaria (15) regresa aceite al tanque de aceite del motor (3). El indicador de nivel de aceite (4), la tapa de relleno de aceite (5), el sensor de temperatura de aceite (2), puerto de aire fresco de ventilación positiva del cárter (PCV), y una pantalla de bomba de aceite para servicio (18) están incorporados dentro del ensamble del tanque de aceite del motor. El sensor de presión de aceite del motor (8) se localiza en la parte superior trasera del ensamble del motor.



Presión principal
 Succión
 Retorno a tanque de aceite

- | | |
|--|--|
| 1. Tanque de aceite de motor | 11. Sumidero de cárter de aceite |
| 2. Tapa de relleno de aceite | 12. Pantalla de bomba de aceite |
| 3. Indicador de nivel de aceite | 13. Válvula de alivio de presión - Bomba de aceite |
| 4. Boquilla de aceite de pistón | 14. Bomba de aceite - Principal |
| 5. Galerías superiores de aceite principal | 15. Bomba de aceite - Secundaria |
| 6. Elevadores de válvula | 16. Cojinetes de cigüeñal |
| 7. Sensor de presión de aceite | 17. Cojinetes de árbol de levas |
| 8. Válvula de derivación - Enfriador de aceite | 18. Pantalla de tanque de aceite |
| 9. Filtro de aceite | 19. Sensor de temperatura de aceite |
| 10. Enfriador de aceite de motor | |



Transmisión auxiliar

El Motor armado LS9 requiere un sistema de impulso auxiliar. El juego #19243524 de Chevrolet Performance incluye todos los componentes de transmisión auxiliar del Corvette LS9, consulte www.chevroletperformance.com respecto a una lista de componentes individuales.

Sistema de control del motor

Se requiere un sistema de control del motor para operar el motor armado LS9. Revise con su concesionario Chevrolet Performance o en www.chevroletperformance.com respecto a sistema de control #19299462 de Chevrolet Performance.

Partes adicionales necesarias:

Arrancador

El motor armado LS9 no incluye un motor de arranque. El número de parte 89017847 de GM corresponde a esta aplicación y se recomienda. Consulte a su concesionario de Chevrolet Performance para mayores detalles.

Inducción de aire

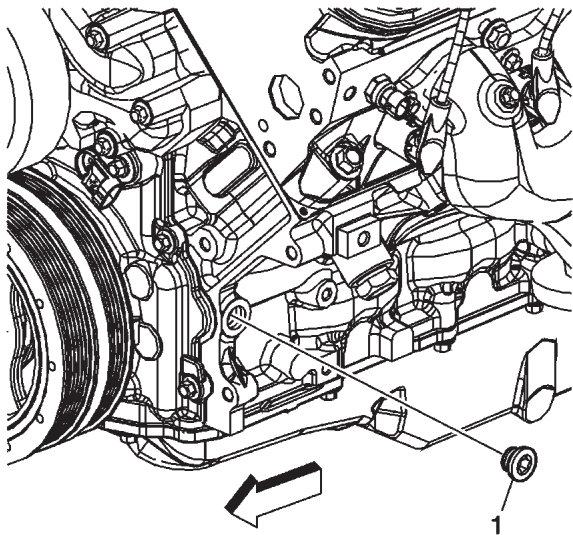
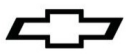
Debe usarse un filtro/limpiador de aire de restricción baja/flujo elevado de alta calidad para proteger el motor. Adicionalmente, su sistema de control del motor puede tener recomendaciones relativas a los depuradores de aire y sistemas de admisión para un mejor rendimiento. El juego de inducción universal 19301246 de Chevrolet Performance está disponible.

Procedimientos de arranque y de asentamiento

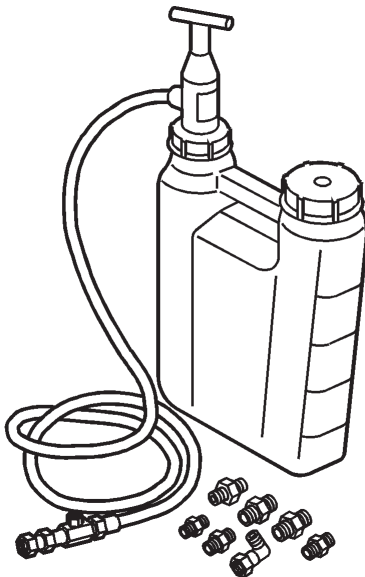
La seguridad primero. Si el vehículo está en el suelo, asegúrese de poner el freno de emergencia y de que las ruedas y la transmisión estén bloqueadas. Verifique que todo esté instalado correctamente y que no falte nada.

- Este conjunto del motor necesita llenarse con aceite.** Después de instalar el motor, asegúrese de que el sistema de aceite haya sido llenado con el aceite para motor adecuado hasta el nivel de llenado de aceite recomendado. El motor armado LS9 requiere un aceite especial que cumpla con la norma GM4718M de GM (esto se especificará en la etiqueta del aceite). DEXOS1 - 5W30 es uno de esos aceites recomendados. Otros aceites que cumplen con esta norma pueden ser sintéticos. Sin embargo, no todos los aceites sintéticos cumplen con esta norma de GM. Busque y use sólo un aceite que cumpla con la norma GM4718M de GM. Si usa el tanque de aceite GM12629421, asegúrese que el nivel de aceite esté dentro de área sombreada sobre la varilla una vez que el aceite esté caliente. Además verifique y rellene conforme se requiera cualquier otro fluido necesario tal como refrigerante, líquido de dirección hidráulica, etc.
- Se DEBE aplicar una capa de aceite a este motor antes de arrancar. El uso del juego de pre-lubricación de motor Kent-Moore J45299 es el proceso preferido para la aplicación de capa de aceite.

Nota: Se requiere un flujo constante y continuo de aceite de motor para cebar adecuadamente el motor. Asegúrese de usar aceite de motor aprobado, como se especifica.



1. Retire el filtro de aceite del motor, y llene con aceite de motor limpio.
2. Instale el filtro de aceite y apriete.
3. Ubique y retire el bloque de motor izquierdo del tapón de la galería de aceite (1).
4. Instale el adaptador M16 x 1.5 No. de parte 509375 Pre-lubricador de motor J 45299.



5. Instale la manguera flexible al adaptador y abra la válvula.

6. Bombee la manija del pre-lubricador J45299 para que fluya un mínimo de 1-1.9 litros (1-2 cuartos) de aceite de motor. Observe el flujo del aceite de motor a través de la manguera flexible y en el ensamble del motor. El motor se lubricará después de que se observe una pequeña cantidad de cambio de presión en el manómetro de aceite del vehículo mientras se bombea el J45299.
7. Cierre la válvula y retire la manguera flexible y el adaptador del motor.
8. Aplique sellador de rosca aprobado e instale el tapón de la galería de aceite al motor y apriete a 60 N•m (44 lb pie).
Rellene el tanque de aceite del motor al nivel adecuado.
3. Arranque el motor y escuche si percibe ruidos inusuales. Si no oye ruidos inusuales, acelere el motor a aproximadamente 1,000 RPM hasta alcanzar una temperatura de operación normal.
4. Cuando sea posible, siempre debe permitir que el motor se caliente antes de empezar a conducir. Es una buena práctica dejar que la temperatura del cárter del aceite y del agua llegue a 180°F antes de levantar cargas pesadas o de acelerar a fondo.
5. El motor se debe conducir con diversas cargas y en diferentes condiciones las primeras 30 millas o una hora sin acelerador completamente abierto (WOT) o sin aceleraciones sostenidas a RPM altas.
6. Acelere cinco o seis veces a la mitad (50%) hasta unas 4,000 RPM y regrese a marcha en vacío (0% aceleración) con la velocidad puesta.
7. Acelere dos o tres veces a fondo (100% acelerador completamente abierto) hasta unas 4,000 RPM y regrese a marcha en vacío (0% aceleración) con la velocidad puesta.
8. Cambie el aceite y el filtro. Cambie el aceite conforme a la especificación del paso 1, y reemplace el filtro con un filtro de aceite nuevo UPF48R AC Delco. Revise si el aceite o el filtro tiene partículas extrañas para asegurar que el motor funcione correctamente.
9. Conduzca las siguientes 500 millas (12 a 15 horas del motor) en condiciones normales. No opere el motor a su capacidad de velocidad máxima. De igual manera, no exponga el motor a periodos largos de carga pesada.
10. Cambie el aceite y el filtro. Nuevamente, revise si el aceite y filtro de aceite tienen partículas extrañas para asegurar que el motor funcione correctamente.



Especificaciones del motor LS9

Tipo..... 6.2L Gen IV Bloque pequeño V8
 Desplazamiento..... 376 pulgadas cúbicas
 Diámetro x Carrera 4.065 x 3.62 pulgadas
 Compresión 9.1:1
 Relación de refuerzo del supercargador 10.5:1
 Bloque Aluminio fundido, casquillos principales
con pernos en cruz de seis pernos
 Culata del motor Puerto rectangular de aluminio fundido
 Diámetro de válvula (Admisión/Escape) 2.16"/1.59"
 Volumen de la cámara..... 68cc
 CigüeñalAcero forjado, balanceado internamente
 Bielas..... Titanio forjado
 Pistones..... Aluminio forjado
 Árbol de levas..... Levantador hidráulico del rodillo
 Elevación..... 562" admisión, .558" escape
 Duración 211° admisión, 230° escape @.050"
de elevación del levantador
 Relación del brazo balancín 1.7:1
 Presión de aceite
 (Mínima, con aceite caliente)..... 6 psig @ 1,000 RPM
 18 psig @ 2,000 RPM
 24 psig @ 4000 RPM
 Aceite recomendado
 Aceite de motor 5w30 Dexos 1 o equivalente
 (debe cumplir con la especificación GM4718M, que se
especifica en la etiqueta del aceite)
 Filtro de aceite Número de parte AC UPF48R
 Combustible.....Premium sin plomo - 92 (R+M/2)
 Velocidad máxima del motor6600 RPM
 Bujías..... GM 12571165
 AC Delco # 41-104
 Distancia entre bujías..... 040"
 Orden de explosión 1-8-7-2-6-5-4-3

La información puede variar según la aplicación. Todas las especificaciones enumeradas están basadas en la información sobre la última producción disponible al momento de la impresión.