



## L96 EFI Crate Engines Specifications

### Specifications part number: 12677742

Thank you for choosing Chevrolet Performance as your high performance source. Chevrolet Performance is committed to providing proven, innovative performance technology that is truly... more than just power. Chevrolet Performance Parts are engineered, developed and tested to exceed your expectations for fit and function. Please refer to our catalog for the Chevrolet Performance Authorized Center nearest you or visit our website at [www.chevroletperformance.com](http://www.chevroletperformance.com).

This publication provides general information on components and procedures which may be useful when installing or servicing your crate engine. Please read this entire publication before starting work.

This crate engine is assembled using brand new, premium quality components. It utilize modern technologies as fuel injection, individual ignition coil per cylinder, and electronic throttle control. Due to the wide range of small block applications, if you are retrofitting a previous small block application, you may encounter installation differences between your crate engine assembly and the previous version. These differences may require modifications or additional components not included with the engine, including cooling, fuel, electrical, and exhaust systems. Some fabrication work may be required.

The L96 crate engine require an engine control system and harness which is available from your Chevrolet Performance dealer. Check with your dealer or on [www.chevroletperformance.com](http://www.chevroletperformance.com) for the control system packages that is currently available. Generally, the fuel system requirement is 58 psi (400 kPa) constant fuel pressure, but check the information included in your engine control system for the actual pressure requirement.

It is not the intent of this specification to replace the comprehensive and detailed service practices explained in the GM service manuals.

For information about warranty coverage, please contact your local Chevrolet Performance dealer. For service parts or service information please reference to the service manual for a 2017 Chevrolet Express van with a L96 engine.

Observe all safety precautions and warnings in the service manuals when installing a crate engine in any vehicle. Wear eye protection and appropriate protective clothing. When working under or around the vehicle support it securely with jack stands. Use only the proper tools.

Exercise extreme caution when working with flammable, corrosive, and hazardous liquids and materials. Some procedures require special equipment and skills. If you do not have the appropriate training, expertise, and tools to perform any part of this conversion safely, this work should be done by a professional.



### Legal and Emissions Information

This publication is intended to provide information about the crate engine and related components. This manual also describes procedures and modifications that may be useful during the installation of an L96 crate engine. It is not intended to replace the comprehensive service manuals and parts catalogs which cover Chevrolet Performance engines and components. Rather, it is designed to provide supplemental information in areas of interest to "do-it-yourself" enthusiasts and mechanics. This publication pertains to engines and vehicles which are used off the public highways except where specifically noted otherwise. Federal law restricts the removal of any part of a federally required emission control system on motor vehicles. Further, many states have enacted laws which prohibit tampering with or modifying any required emission or noise control system. Vehicles which are not operated on public highways are generally exempt from most regulations, as are some special interest and pre-emission vehicles. The reader is strongly urged to check all applicable local and state laws. Many of the parts described or listed in this manual are merchandised for off-highway application only, and are tagged with the "Special Parts Notice" reproduced here:

### Special Parts Notice

This part has been specifically designed for Off-Highway application only. Since the installation of this part may either impair your vehicle's emission control performance or be uncertified under current Motor Vehicle Safety Standards, it should not be installed in a vehicle used on any street or highway

Additionally, any such application could adversely affect the warranty coverage of such an on-street or highway vehicle.

### Package Contents:

| <u>DESCRIPTION</u>    | <u>QUANTITY</u> |
|-----------------------|-----------------|
| 6.0 LITER ENGINE      | 1               |
| TUBE-OIL FILL         | 1               |
| CAP ASSEMBLY-OIL FILL | 1               |
| OIL LEVEL INDICATOR   | 1               |
| THROTTLE BODY         | 1               |
| O-RING SEAL           | 1               |
| INSTRUCTION SHEETS    | 1               |

### Important Information on Throttle Body Usage

This engine kit contains a production engine that uses a current model year electronic throttle body assembly. If using this engine kit along with a Chevrolet Performance Parts L96 Controller Kit it will be necessary to remove the original throttle body from the engine and replace it with the throttle body that is packaged separately in this engine kit.

Instructions for removal and reinstallation of the throttle body assembly are as follows:

**Notice: Handle the electronic throttle control components carefully. Use cleanliness in order to prevent damage. Do not drop the electronic throttle control components. Do not roughly handle the electronic throttle control components. Do not immerse the electronic throttle control components in cleaning solvents of any type.**

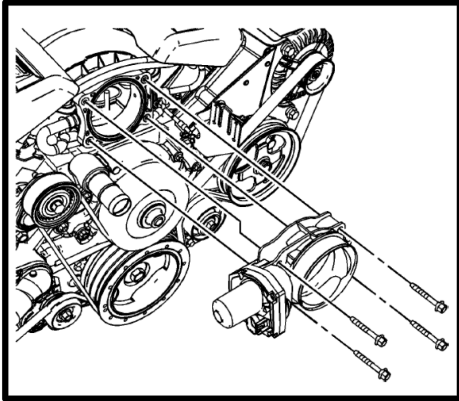
1. An 8-digit part identification number is stamped on the throttle body casting. Refer to this number if servicing, or if a part replacement is required.
2. Remove the 4 throttle body bolts and original throttle body.
3. Inspect the throttle body gasket for damage. If the gasket is damaged, it must be replaced. Use P/N 12576549

4. Install the replacement throttle body assembly.
5. Install the 4 throttle body bolts.

**Tighten**

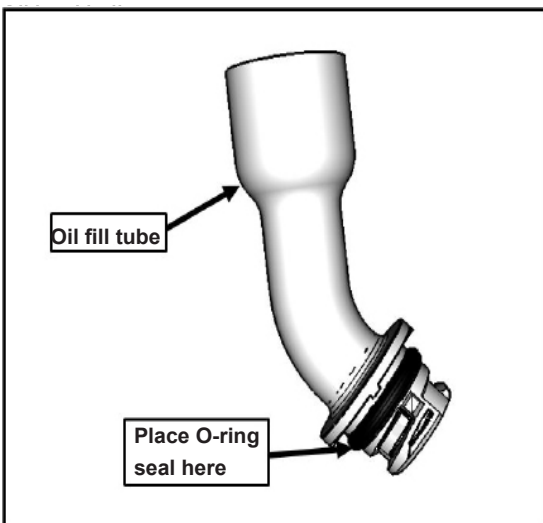
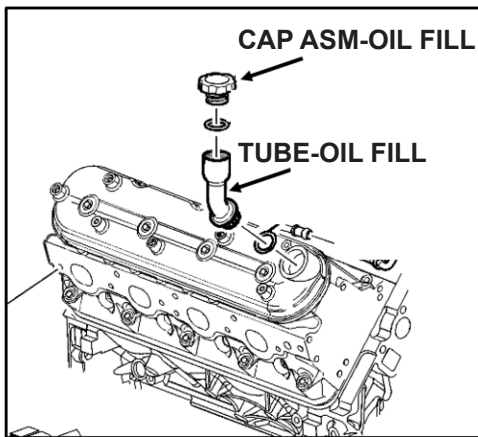
Tighten the throttle body bolts to **10 Nm (89 lb in)**.

**Important: Always use a torque wrench in order to obtain the proper torque.**



**Oil fill tube and cap**

Remove the rubber plug and replace with the oil fill tube. The oil fill tube uses two locating tabs and must be rotated into place. Once install, it cannot be removed. The the fill tube must have the O-ring installed prior to installing the fill tube into the valve cover. Use engine oil on the O-ring seal prior to installation.





### Oil level indicator

Remove the plug and install the supplied oil level indicator.

### Oil Pan

Chevrolet Performance muscle car oil pan kit p/n 19212593 may be required for installation on older vehicles.

### Flywheel

The L96 crate engine includes an original equipment flexplate. Flywheel 12571611 is also available from your Chevrolet Performance Parts dealer for manual transmission applications.

### Pilot Bearing

You must install a pilot bearing in the rear of the crankshaft if the engine will be used with a manual transmission. The pilot bearing aligns the transmission input shaft with the crankshaft centerline. A worn or misaligned pilot bearing can cause shifting problems and rapid clutch wear. There are two different pilot bearings for the L96 engine. 14061685 for a long input shaft and 12557583 for a short input shaft. Verify fit prior to transmission installation or damage will occur.

### Starter

The L96 crate engine does not include a starter. Chevrolet Performance Parts part number 10465385 is matched to this application and is recommended. See your Chevrolet Performance Parts dealer for details.

### Air Induction

A foam or paper element, low restriction air filter/cleaner should be used to protect the engine from excessive wear. Additionally, your engine control system may have recommendations for air cleaners and intake systems for best performance. Chevrolet Performance Parts sells a universal air induction kit, part number 19301246.

### Fuel Pump

The L96 engine does not include a fuel pump. Generally, the EFI system requirement is 58 psi constant pressure, but consult the information with your engine control system for the actual recommendation. The fuel pump you choose must be capable of 45 gallons per hour (GPH) @ the recommended pressure. Chevrolet Performance offers a fuel filter/ regulator part number 19239926 that will regulate to the correct fuel pressure.

### Accessory Drive Brackets

Accessory Drive Kit p/n 19258433 and air conditioning add on kit p/n 19260892 are available from Chevrolet Performance to fit the L96 engines. These kits contain all components and hardware necessary for installation (includes air conditioning compressor, power steering pump, and alternator). Please see your Chevrolet Performance dealer or visit us on the web at [www.chevroletperformance.com](http://www.chevroletperformance.com).

### Oil priming:

Safety first, if the vehicle is on the ground, be sure the park brake is set, the wheels are chocked and the car cannot fall into gear. Verify everything is installed properly and nothing was missed.

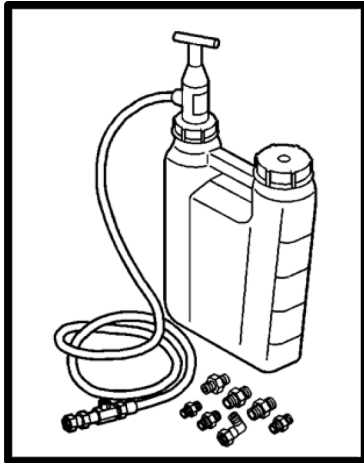
1. This engine assembly needs to be filled with oil. After installing the engine, ensure the crankcase has been filled with the appropriate motor oil to the recommended oil fill level on the dipstick. This crate engine require a special oil meeting DEXOS1 - 5W30. Also check and fill as required any other necessary fluids such as coolant, power steering fluid, etc.
2. This engine MUST be primed with oil before starting. The use of Kent-Moore engine preluber kit J45299 is the preferred process for priming.

**NOTE: A constant and continuous flow of clean engine oil is required in order to properly prime the engine. Be sure to use approved engine oil, as specified.**

- A. Remove the engine oil filter, and fill with clean engine oil.
- B. Install the oil filter and tighten.
- C. Locate and remove the engine block left front oil gallery plug (1).
- D. Install the M16 x 1.5 adapter P/N 509375

- E. Install the flexible hose to the adapter and open the valve.
- F. Pump the handle on the J45299 preluber in order to flow a minimum of 1-1.9 liters (1-2 quarts) engine oil. Observe the flow of engine oil through the flexible hose and into the engine assembly. The engine will be primed after a small amount of pressure change is seen on the in car oil pressure gauge while pumping J45299.
- G. Close the valve and remove the flexible hose and adapter from the engine.
- H. Apply approved thread sealer and Install the oil gallery plug to the engine and tighten to 60 Nm (44 lb. ft.).

**J 45299 Engine Preluber**



**In the absence of a preluber kit, the following process can be used.**

1. Install an oil pressure gauge (the existing oil pressure sensor location at the upper rear of the engine may be used).
2. Disconnect fuel and the ignition control system (removing power from the ignition control module is recommended).

**NOTE:** Make sure that no fuel or ignition power can be provided to the engine. Remove all of the spark plugs, which will reduce the load on the engine bearings and starter motor during the oil priming sequence.

3. Once, the fuel and ignition control systems have been disconnected, crank the engine using the starter for 10 seconds and check for oil pressure. If no pressure is indicated, wait 30 seconds and crank again for 10 seconds. Repeat this process until oil pressure is indicated on the gauge.
4. Install the spark plugs and reconnect the fuel and ignition control systems.

**Startup procedure**

1. Start the engine and listen for any unusual noises. If no unusual noises are noted, run the engine at approximately 1000 RPM until normal operating temperature is reached.
2. When possible, you should always allow the engine to warm up prior to driving. It is a good practice to allow the oil sump and water temperature to reach 180°F before towing heavy loads or performing hard acceleration runs.
3. The engine should be driven at varying loads and conditions for the first 30 miles or one hour without wide open throttle (WOT) or sustained high RPM accelerations.
4. Run five or six medium throttle (50%) accelerations to about 4000 RPM and back to idle (0% throttle) in gear.
5. Run two or three hard throttle (WOT 100%) accelerations to about 4000 RPM and back to idle (0% throttle) in gear.
6. Change the oil and filter. Replace the oil per the specification in step 1, and replace the filter with a new PF48 AC Delco oil filter. Inspect the oil and the oil filter for any foreign particles to ensure that the engine is functioning properly.
7. Drive the next 500 miles (12 to 15 engine hours) under normal conditions. Do not run the engine at its maximum rated engine speed. Also, do not expose the engine to extended periods of high load.
8. Change the oil and filter. Again, inspect the oil and oil filter for any foreign particles to ensure that the engine is functioning properly.



**L96 Engine Specifications:**

Type: .....6.0L Gen IV Small Block V8  
Displacement:.....364 cubic inches  
Bore x Stroke:.....4.000 inch x 3.622 inch  
Compression:.....9.7:1  
Block:.....Cast iron, six bolt cross-bolted main caps  
Cylinder Head:.....Cast aluminum Rectangular port  
Valve Diameter (Intake/Exhaust):.....2.16"/1.59"  
Chamber Volume:.....68.4cc  
Crankshaft:.....Nodular iron, internally balanced  
Connecting Rods:.....Forged powdered metal  
Pistons:.....Hypereutectic aluminum  
Camshaft .....Hydraulic roller tappet  
Lift: .....0.476" intake, 0.476" exhaust  
Duration:.....194° intake, 200° exhaust @.050" tappet lift  
Centerline:.....112° Lobe Separation Angle (LSA)  
Rocker Arm Ratio:.....1.7:1  
Oil Capacity:.....5.5-quarts (6.0 quarts with filter)  
Oil Pressure (Minimum, with hot oil):.....6 psig @ 1000 RPM  
.....18 psig @ 2000 RPM  
.....24 psig @ 4000 RPM  
Recommended Oil:.....DEXOS1  
Oil Filter:.....AC Delco part # PF48E  
Fuel: .....Regular unleaded-87 (R+M/2)  
Maximum Engine Speed:.....6000 RPM  
Spark Plugs:.....GM 12621258  
.....AC Delco # 41-110  
Spark Plug Gap:......040"  
Firing Order:.....1-8-7-2-6-5-4-3

Information may vary with application. All specifications listed are based on the latest production information available at the time of printing

## Caractéristiques techniques du moteur en caisse EFI L96

### Numéro de référence des caractéristiques techniques : 12677742

Nous vous remercions d'avoir choisi Chevrolet Performance comme source de haute performance. Chevrolet Performance s'est engagée à offrir une technologie de rendement éprouvée et novatrice qui est réellement... beaucoup plus que de la puissance. Les pièces de Chevrolet Performance Parts ont été conçues, élaborées et mises à l'essai de manière à dépasser vos attentes de réglage précis et de fonction. Veuillez vous reporter à notre catalogue pour connaître le centre Chevrolet Performance autorisé le plus près de chez vous ou visitez notre site Web à [www.chevroletperformance.com](http://www.chevroletperformance.com).

La présente publication offre de l'information d'ordre général sur les composants et les procédures pouvant s'avérer utile lors de l'installation ou de l'entretien du moteur en caisse. Veuillez lire en entier la présente publication avant de commencer à travailler.

L'assemblage de ce moteur en caisse est effectué en utilisant des composants neufs de première qualité. Il utilise des technologies modernes, comme l'injection de carburant, une bobine d'allumage par cylindre et le papillon des gaz électronique. Compte tenu de la vaste gamme d'applications de moteurs à bloc compact, si l'on pose en après-vente une application antérieure à bloc compact, il se peut que l'on constate des différences de pose entre le moteur en caisse actuel et la version précédente. Ces différences peuvent nécessiter des modifications ou des composants supplémentaires qui ne sont pas compris avec le moteur, y compris les systèmes de refroidissement, électrique et d'échappement, ainsi que le circuit d'alimentation. Il se peut qu'une certaine fabrication soit requise.

Le moteur en caisse L96 nécessite un système de commande de moteur et un faisceau de câbles offerts par les concessionnaires Chevrolet Performance. Vérifier auprès de votre concessionnaire ou sur le site Web [www.chevroletperformance.com](http://www.chevroletperformance.com) pour connaître les groupes de systèmes de commande actuellement offerts. En règle générale, l'exigence relative au circuit d'alimentation est de 400 kPa (58 lb/po2) de pression constante de carburant ; toutefois, il faut vérifier l'information comprise dans le système de commande du moteur pour confirmer l'exigence réelle de pression.

Ces caractéristiques techniques ne sont pas destinées à remplacer les pratiques d'entretien complètes et détaillées expliquées dans les manuels d'atelier GM.

Pour obtenir de l'information sur l'étendue de la garantie, prière de communiquer avec le concessionnaire Chevrolet Performance local. Pour voir les pièces de rechange ou les renseignements techniques, veuillez vous reporter au manuel de réparation d'une fourgonnette Chevrolet Express 2017 équipée d'un moteur L96.

Observer toutes les précautions et tous les avertissements en matière de sécurité présentés dans les manuels de réparation au moment de poser un moteur en caisse dans n'importe quel véhicule. Porter un protecteur pour la vue et des vêtements de protection appropriés. Lorsqu'on travaille sous un véhicule ou autour de celui-ci, le soutenir solidement à l'aide de chandelles. Utiliser seulement les outils appropriés.

Faire preuve d'extrême prudence lors de travaux avec des liquides ou des matériaux inflammables, corrosifs ou dangereux. Certaines procédures nécessitent l'utilisation d'un équipement spécial et des habiletés particulières. Si vous ne possédez pas la formation, l'expertise et les outils nécessaires pour effectuer toute partie de cette conversion en toute sécurité, ce travail devrait être réalisé par un professionnel.



**Information juridique et relative aux émissions**

La présente publication a pour objet d'offrir des renseignements sur le moteur en caisse et les composants connexes. Ce guide décrit également les procédures et les modifications pouvant s'avérer utiles lors de l'installation d'un moteur en caisse L96. Ces renseignements ne sont pas destinés à remplacer les manuels de réparation complets et les catalogues de pièces en matière de moteurs et de composants de Chevrolet Performance. Plutôt, cette publication a été conçue pour offrir des renseignements supplémentaires sur les matières pouvant intéresser les « bricoleurs » et les mécaniciens. Cette publication s'applique aux moteurs et aux véhicules qui sont utilisés hors des voies publiques, sauf indication contraire expresse. Les règlements fédéraux restreignent la dépose des véhicules automobiles de toute partie d'un système antipollution exigé par la loi fédérale. En outre, de nombreux États ont établi des lois qui interdisent le trafiquage ou la modification de tout système antipollution ou antibruit exigé par la loi. En règle générale, les véhicules qui ne roulent pas sur les voies publiques, tout comme certains véhicules d'intérêt spécial et pré-émissions, sont exempts de la plupart de la réglementation. On suggère fortement au lecteur de consulter tous les règlements municipaux et provinciaux applicables. Plusieurs des pièces qui sont décrites ou énumérées dans le présent manuel sont commercialisées pour des application hors route seulement et elles portent l'étiquette « Special Parts Notice » (avis sur les pièces spéciales) qui est reproduite ici.

**Avis spécial sur les pièces**

Cette pièce a été conçue spécifiquement pour une application hors route seulement. Puisque la pose de cette pièce pourrait nuire au rendement antipollution du véhicule ou donner lieu à son manque d'homologation en vertu des normes de sécurité actuelles des véhicules automobiles, celle-ci ne doit pas être posée dans un véhicule qui sera utilisé sur une voie publique ou une autorout

En outre, une telle application pourrait donner lieu à l'annulation de la garantie d'un tel véhicule sur route ou autoroute.

**Contenu de l'ensemble :**

| <b>DESCRIPTION</b>                     | <b>QUANTITÉ</b> |
|--|-----------------|
| MOTEUR 6.0 LITRES                      | 1               |
| TUBE DE REMPLISSAGE D'HUILE            | 1               |
| ENSEMBLE BOUCHON-REPLISSAGE DE L'HUILE | 1               |
| INDICATEUR DE NIVEAU D'HUILE           | 1               |
| CORPS DE PAPILLON                      | 1               |
| JOINT TORIQUE D'ÉTANCHÉITÉ             | 1               |
| FEUILLES DE DIRECTIVES                 | 1               |

**Renseignements importants sur l'utilisation du corps de papillon**

Cette trousse de moteur contient un moteur de production qui utilise un ensemble corps de papillon électronique de l'année de fabrication actuelle. Si cette trousse de moteur est utilisée avec la trousse de contrôleur L96 de Chevrolet Performance Parts, il est nécessaire de déposer le corps de papillon d'origine du moteur et de le remplacer par le corps de papillon inclus dans cette trousse de moteurs.

Les instructions pour la dépose et la repose de l'ensemble corps de papillon sont les suivantes :

**Avis : manipuler soigneusement les composants de commande de papillon électronique. Assurer la propreté pour éviter les dommages. Ne pas échapper les composants de commande de papillon électronique. Ne pas manipuler rudement les composants de commande de papillon électronique. Ne pas immerger les composants de commande de papillon électronique dans un solvant de nettoyage, peu importe lequel.**

1. Un numéro d'identification de pièce à 8 chiffres est estampé sur le coulage du corps de papillon. Utiliser ce numéro pour toute intervention ou si un emplacement de pièce est requis.
2. Déposer les 4 boulons de corps de papillon et le corps de papillon d'origine.
3. Vérifier si le joint de corps de papillon est endommagé. Si le joint endommagé, il doit être remplacé. Utiliser le numéro de pièce 12576549.

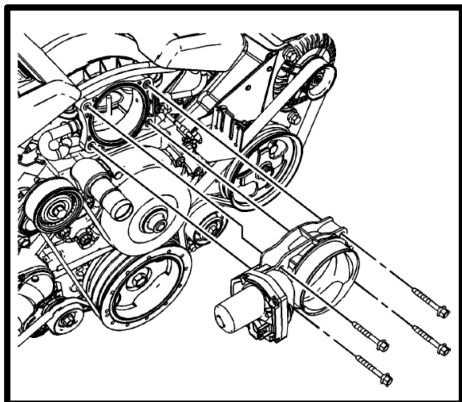


4. Poser l'ensemble corps de papillon de rechange.
5. Poser les 4 boulons de corps de papillon.

**Serrer**

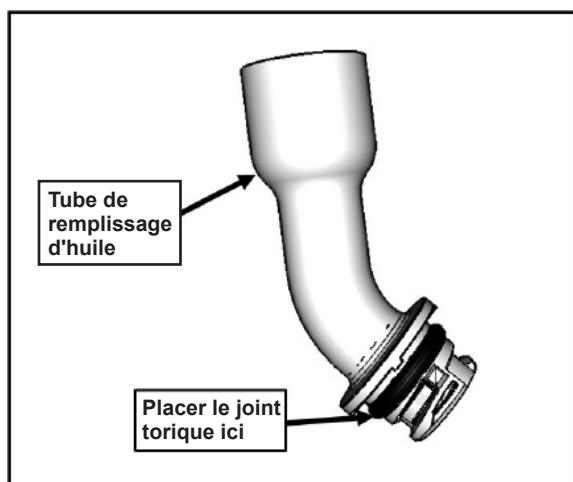
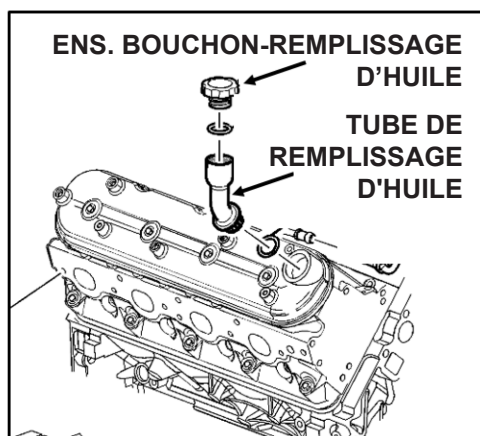
Serrer les boulons de corps de papillon à **10 Nm (89 lb-po)**.

**Important : toujours utiliser une clé dynamométrique pour atteindre le couple approprié.**



**Tube et bouchon de remplissage d'huile**

Retirer le bouchon en caoutchouc et le remplacer par le tube de remplissage d'huile. Le tube de remplissage d'huile utilise de languettes de positionnement, et il doit être tourné pour être mis en place. Une fois posé, il ne peut pas être déposé. Le joint torique doit être installé sur le tube de remplissage avant d'installer ce tube sur le cache-soupapes. Mettre de l'huile moteur sur le joint torique avant de l'installer.



**Indicateur de niveau d'huile**

Retirer le bouchon et poser l'indicateur de niveau d'huile fourni.

**Carter d'huile**

La trousse de carter d'huile pour voiture « musclée » Chevrolet Performance, n/p 19212593, peut être requise pour une installation sur les anciens véhicules.

**Volant moteur**

Le moteur en caisse L96 comprend une tôle d'entraînement d'origine. Le volant moteur 12571611 est également disponible auprès du concessionnaire de Chevrolet Performance Parts pour les applications de boîte de vitesses manuelle.

**Roulement-guide**

On doit installer un roulement-guide derrière le vilebrequin si l'on prévoit utiliser le moteur conjointement avec une boîte manuelle. Le roulement-guide aligne l'arbre primaire de la boîte de vitesses avec l'axe central du vilebrequin. Un roulement-guide usé ou désaligné peut provoquer des anomalies de changement de vitesse et une usure rapide de l'embrayage.

Il existe deux roulements-guides différents pour le moteur L96. 14061685 pour un arbre d'entrée long et 12557583 pour un arbre d'entrée court. Vérifier l'ajustement avant l'installation de la boîte de vitesses, sinon un dommage se produira.

**Démarrreur**

Le moteur en caisse L96 n'inclut pas de démarrreur. Le numéro de pièce Chevrolet Performance Parts 10465385 correspond à cette application et est recommandé. Prière de consulter son concessionnaire Chevrolet Performance Parts pour obtenir les détails.

**Admission d'air**

Un filtre à air à faible restriction et à élément en mousse ou en papier devrait être utilisé pour protéger le moteur contre l'usure excessive. En outre, il se peut que certains filtres à air et systèmes d'admission soient recommandés pour le rendement optimal du système de commande du moteur. Chevrolet Performance Partie vend une trousse d'admission d'air universelle, numéro de pièce 19301246

**Pompe à carburant**

Le moteur L96 ne comprend pas de pompe à carburant. En règle générale, l'exigence du système d'injection multipoint est de 58 lb/po2 de pression constante ; toutefois, vérifier l'information sur le système de commande du moteur pour prendre connaissance des recommandations afférentes. La pompe de carburant choisie doit avoir une capacité de 45 gallons par heure (gal/h) à la pression recommandée. Chevrolet Performance offre un filtre à carburant/ régulateur numéro de pièce 19239926 qui régulera la bonne pression de carburant.

**Supports d'entraînement des accessoires**

La trousse d'entraînement des accessoires, n/p 19258433, et la trousse d'ajout de climatiseur, n/p 19260892, sont offertes par Chevrolet Performance pour les moteurs L96. Ces trousse comprennent toute la quincaillerie et tous les composants nécessaires à la pose (y compris le compresseur de climatiseur, la pompe de direction assistée et l'alternateur). Veuillez visiter le concessionnaire Chevrolet Performance ou visiter le site Web à l'adresse [www.chevroletperformance.com](http://www.chevroletperformance.com).

**Amorce d'huile :**

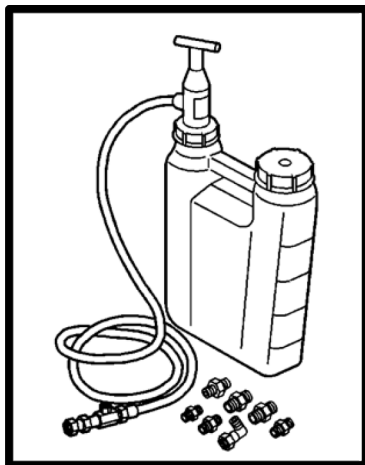
La sécurité d'abord. Si le véhicule est sur le sol, s'assurer que le frein de stationnement est engagé, que les roues sont calées et que le véhicule ne peut s'engager dans un rapport. Vérifier si tout est installé adéquatement et que rien ne manque.

1. Ce moteur doit être rempli d'huile. Après avoir posé le moteur, s'assurer que le carter de vilebrequin a été rempli avec l'huile moteur appropriée jusqu'au niveau de remplissage d'huile recommandé sur la jauge graduée. Ce moteur en caisse requiert une huile spéciale conforme à la norme DEXOS1 - 5W30. Vérifier et ajouter tout autre liquide nécessaire, comme du liquide de refroidissement, du liquide de direction assistée, etc.
2. Ce moteur DOIT être amorcé avec de l'huile avant le démarrage. L'utilisation de la trousse de pré lubrificateur de moteur Kent-More J45299 constitue le processus d'amorçage privilégié.

**REMARQUE : Pour amorcer correctement le moteur, il faut un débit régulier et continu d'huile moteur propre. S'assurer d'utiliser une huile moteur approuvée, comme il est indiqué.**

- A. Déposer le filtre d'huile du moteur et le remplir d'huile moteur propre.
- B. Poser le filtre à huile et serrer.
- C. Repérer et déposer le bouchon de galerie de graissage (1) avant gauche du bloc-moteur.
- D. Poser l'adaptateur M16 x 1,5 N/P 509375

- E. Poser le tuyau souple sur l'adaptateur et ouvrir la soupape.
- F. Pomper la poignée sur le prélubrificateur J45299 afin d'obtenir un débit minimum de 1 à 1,9 litre (1 à 2 quarts) d'huile moteur. Observer le débit de l'huile moteur par le tuyau souple et dans l'ensemble de moteur. Le moteur sera amorcé après qu'on ait constaté un petit changement dans la quantité de pression dans la jauge de pression d'huile pendant le pompage du J45299.
- G. Fermer la soupape et déposer le tuyau souple et l'adaptateur du moteur.
- H. Appliquer du produit d'étanchéité de filetage approuvé et poser le bouchon de galerie d'huile sur le moteur, puis serrer à 60 Nm (44 lb pi).

**Pré-lubrificateur du moteur J 45299**

**En l'absence d'une trousse de prélubrificateur, on peut utiliser le processus suivant.**

1. Poser un indicateur de pression d'huile (on peut utiliser l'emplacement du capteur de pression d'huile existant sur la partie arrière supérieure du moteur).
2. Débrancher le système de commande d'allumage et le système de commande de carburant (il est recommandé de couper l'alimentation du module de commande d'allumage).

**REMARQUE :** S'assurer qu'aucune alimentation de carburant ou d'allumage ne peut être fournie au moteur. Retirer toutes les bougies d'allumage ; cela réduit la charge sur les paliers du moteur et sur le démarreur pendant la séquence d'amorçage de l'huile.

3. Une fois que les systèmes de commande d'allumage et de commande du carburant ont été débranchés, démarrer le moteur en utilisant le démarreur pendant 10 secondes et vérifier la pression d'huile. Si aucune pression n'est indiquée, attendre 30 secondes et essayer de démarrer encore pendant 10 secondes. Répéter ce processus jusqu'à ce que la pression d'huile soit indiquée sur la jauge.
4. Poser les bougies d'allumage et rebrancher les systèmes de régulation de carburant et de commande d'allumage.

**Procédure de démarrage**

1. Démarrer le moteur et écouter afin de déceler la présence de bruits inhabituels. Si aucun bruit inhabituel n'est remarqué, laisser tourner le moteur à environ 1 000 tours par minute jusqu'à ce qu'il atteigne sa température de fonctionnement normale.
2. Lorsque cela est possible, vous devriez toujours permettre au moteur de se réchauffer avant de conduire. Une bonne pratique est de permettre à la température du carter d'huile et de l'eau d'atteindre 180°F avant de tirer de lourdes charges ou de faire des courses à accélération brusque.
3. Le moteur devrait être entraîné à différentes charges et dans différentes conditions les 30 premiers milles ou pendant une heure sans être au régime maximal (WOT) ou sans subir d'accélération brusque du nombre de tours par minute.
4. Effectuer cinq ou six accélérations à gaz moyens (50 %) jusqu'à environ 4 000 tr/min puis retourner à la marche au ralenti (0 % des gaz) en prise.
5. Effectuer deux ou trois accélérations dures (pleins gaz à 100 %) jusqu'à environ 4 000 tr/min puis retourner à la marche au ralenti (0 % des gaz) en prise.

6. Vidanger l'huile et remplacer le filtre. Vidanger l'huile en suivant les caractéristiques techniques présentées à l'étape 1 et remplacer le filtre avec un nouveau filtre à huile PF48 AC Delco. Vérifier l'huile et le filtre à huile afin de repérer toute particule étrangère pour s'assurer que le moteur fonctionne correctement.
7. Conduire la prochaine distance de 500 milles (de 12 à 15 heures moteur) dans des conditions normales. Ne pas faire tourner le moteur à sa vitesse nominale maximale. De plus, ne pas exposer le moteur à des périodes prolongées de charge élevée.
8. Vidanger l'huile et remplacer le filtre. Vérifier l'huile et le filtre à huile de nouveau afin de repérer toute particule étrangère pour s'assurer que le moteur fonctionne correctement.

**Caractéristiques techniques du moteur L96 :**

Type : ..... Gen IV V8 de 6.0 L à bloc compact  
Cylindrée : ..... 364 pouces cubes  
Alésage x course : ..... 4,000 po x 3,622 po  
Compression : ..... 9,7:1  
Bloc : ..... Fonte, six boulons fixés latéralement aux chapeaux principaux  
Culasse : ..... Aluminium coulé, orifice rectangulaire  
Diamètre des soupapes  
(admission et échappement) : ..... 2,16 po/1,59 po  
Volume de la chambre : ..... 68,4 cc  
Vilebrequin : ..... Fer nodulaire, à équilibrage interne  
Bielles : ..... forgées, métal fritté  
Pistons : ..... Aluminium hypereutectique  
Arbre à cames ..... Poussoir à galet hydraulique  
Levée : ..... Admission 0,476 po, échappement 0,476 po  
Durée : ..... 194° admission, 200° échappement à levée de poussoir de 0,050 po  
Ligne centrale : ..... Angle de séparation des lobes (LSA) de 112°  
Rapport des culbuteurs : ..... 1,7:1  
Contenance en huile : ..... 5,5 pintes (6,0 avec filtre)  
Pression d'huile  
(minimale, avec huile chaude) : ..... 6 psig à 1 000 tr/min  
..... 18 psig à 2 000 tr/min  
..... 24 psig à 4 000 tr/min  
Huile recommandée : ..... DEXOS1  
Filtre à huile : ..... N/P PF48E d'AC Delco  
Carburant : ..... Ordinaire sans plomb-87 (R+M/2)  
Régime maximal du moteur : ..... 6 000 tr/min  
Bougies d'allumage : ..... GM 12621258  
..... AC Delco n° 41-110  
Écartement des électrodes : ..... 0,040 po  
Ordre d'allumage : ..... 1-8-7-2-6-5-4-3

L'information peut varier selon l'application. Toutes les caractéristiques techniques énumérées sont basées sur les plus récentes données de production disponibles à la date d'impression



## Especificaciones de motores armados L96 EFI

**Número de parte de especificaciones: 12677742**

Gracias por elegir Chevrolet Performance como su fuente de alto desempeño. Chevrolet Performance está comprometido a proporcionar tecnología de desempeño comprobada e innovadora que en realidad... sea más que sólo potencia. Chevrolet Performance Parts están diseñadas, desarrolladas y probadas para exceder sus expectativas de ajuste y función. Por favor consulte nuestro catálogo respecto al Centro Autorizado de Chevrolet Performance más cercano a usted o visite nuestra página en Internet [www.chevroletperformance.com](http://www.chevroletperformance.com).

Esta publicación brinda información general sobre los componentes y procedimientos que pudieran ser útiles al instalar o dar servicio a su motor armado. Por favor lea esta publicación completa antes de comenzar el trabajo.

Este motor armado se ensambla utilizando componentes nuevos de primera calidad. Utiliza tecnologías modernas como inyección de combustible, bobina de ignición individual por cilindro, y control electrónico de acelerador. Debido a la amplia gama de aplicaciones de bloque pequeño, si usted está actualizando una aplicación anterior de bloque pequeño, puede encontrar diferencias de instalación entre su ensamble de motor armado y la versión anterior. Estas diferencias pueden requerir modificaciones o componentes adicionales no incluidos con el motor, incluyendo sistemas de enfriamiento, combustible, eléctricos y del escape. Se puede requerir trabajo de fabricación.

El motor armado L96 requiere un sistema de control del motor y arnés que están disponibles con su concesionario de Chevrolet Performance. Consulte con su concesionario o en [www.chevroletperformance.com](http://www.chevroletperformance.com) respecto a los paquetes del sistema de control que están disponibles actualmente. En general, el requerimiento del sistema de combustible es de una presión constante de combustible de 58 psi (400 kPa), pero revise la información que viene incluida con us sistema de control del motor para conocer el requerimiento de presión real.

No se pretende que esta especificación reemplace las prácticas de servicio completas y detalladas explicadas en los manuales de servicio de GM.

Para información sobre cobertura de la garantía, por favor póngase en contacto con su concesionario local de Chevrolet Performance. Para partes de servicio o información de servicio por favor consulte el manual de servicio para una vagoneta Chevrolet Express 2017 con motor L96.

Observe todas las precauciones de seguridad y advertencias de los manuales de servicio durante la instalación de un motor armado en cualquier vehículo. Utilice protección para los ojos y ropa de protección adecuada. Cuando trabaje debajo o alrededor del vehículo, apóyelo firmemente con soportes de gato. Sólo use las herramientas adecuadas.

Tenga mucha precaución cuando trabaje con líquidos y materiales inflamables, corrosivos y peligrosos. Algunos procedimientos requieren equipo y habilidades especiales. Si no tiene la capacitación, experiencia, y herramientas apropiadas para realizar cualquier parte de esta conversión con seguridad, este trabajo debe ser realizado por un profesional.

**Información legal y sobre emisiones**

Esta publicación ha sido diseñada para proporcionar información acerca del motor armado y componentes relacionados. Este manual también describe procedimientos y modificaciones que pudieran ser útiles durante la instalación de un motor armado L96. No está diseñada para sustituir a los exhaustivos manuales de servicio y catálogos de partes que cubren los motores y componentes Chevrolet Performance. Más bien, está diseñada para brindar información complementaria en áreas de interés para los entusiastas del "hágalo usted mismo" y los mecánicos. Esta publicación concierne a motores y vehículos que se utilizan fuera de las carreteras públicas, excepto cuando se indica específicamente lo contrario. La ley federal restringe el retiro de cualquier parte de un sistema de control de emisiones requerido por orden federal de los vehículos de motor. Más aún, muchos estados han promulgado leyes que prohíben alterar o modificar cualquier sistema de control de emisiones o ruidos. Los vehículos que no son operados en carreteras públicas generalmente están exentos de la mayoría de las normas, al igual que algunos vehículos de interés especial y pre-emisiones. Se le exhorta atentamente al lector verificar todas las leyes locales y estatales aplicables. Muchas de las partes descritas o indicadas en este manual se comercializan para su aplicación fuera de carretera únicamente, y están etiquetadas con el "Aviso sobre Partes Especiales" que se reproduce aquí:

**Aviso sobre partes especiales**

Esta parte ha sido diseñada específicamente para aplicación fuera de carretera únicamente. Debido que la instalación de esta parte puede afectar el desempeño del control de emisiones de su vehículo o dejarlo fuera de certificación según los Estándares de seguridad de vehículos de motor, no se debe instalar en un vehículo que se utilice en cualquier calle o carretera

Adicionalmente, cualquier aplicación tal puede afectar adversamente la cobertura de la garantía de tales vehículos para aplicación en calles o carreteras.

**Contenido del paquete:**

| <u>DESCRIPCIÓN</u>                 | <u>CANTIDAD</u> |
|------------------------------------|-----------------|
| MOTOR DE 6.0 LITROS                | 1               |
| TUBO-RELLENO DE ACEITE             | 1               |
| ENSAMBLE DE TAPA-RELLENO DE ACEITE | 1               |
| INDICADOR DE NIVEL DE ACEITE       | 1               |
| CUERPO DEL ACELERADOR              | 1               |
| SELLO DE ANILLO O                  | 1               |
| HOJAS DE INSTRUCCIONES             | 1               |

**Información importante sobre uso de cuerpo del acelerador**

Este juego de motor contiene un motor de producción que usa un ensamble de cuerpo de acelerador electrónico del año de modelo actual. Si usa este juego de motor junto con un Juego de controlador L96 Chevrolet Performance Parts será necesario retirar el cuerpo del acelerador original del motor y reemplazarlo con el cuerpo del acelerador que está empacado por separado en este juego de motor.

Las instrucciones para desinstalación y reinstalación del ensamble de cuerpo del acelerador son las siguientes:

**Aviso: Maneje los componentes de control electrónico del acelerador con cuidado. Mantenga la limpieza para prevenir daño. No deje caer los componentes del control electrónico del acelerador. No maneje bruscamente los componentes del control electrónico del acelerador. No sumerja los componentes del control electrónico del acelerador en solventes de limpieza de ningún tipo.**

1. Un número de identificación de parte de 8 dígitos está estampado en la fundición del cuerpo del acelerador. Consulte este número si da servicio, o si se requiere un reemplazo de parte.
2. Retire los 4 pernos del cuerpo del acelerador y el cuerpo del acelerador original.
3. Revise el empaque del cuerpo del acelerador respecto a daño. Si el empaque está dañado, se debe reemplazar. Use el número de parte 12576549

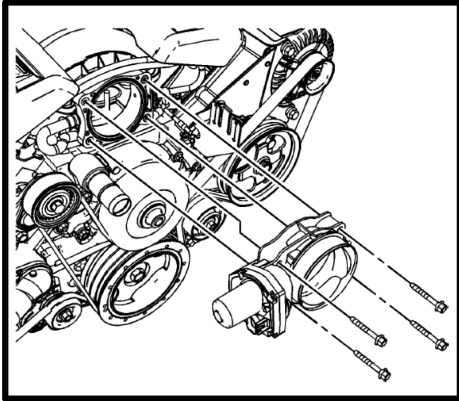


4. Instale el ensamble del cuerpo del acelerador de reemplazo.
5. Instale los 4 pernos del cuerpo del acelerador.

**Apriete**

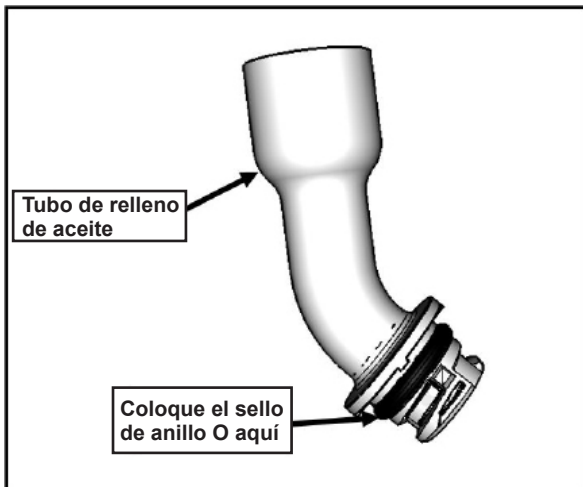
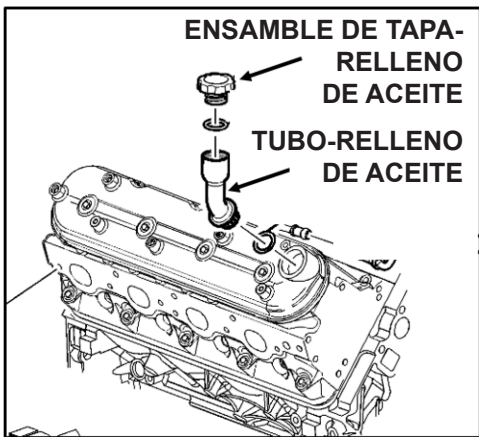
Apriete los pernos del cuerpo del acelerador a **10 Nm (89 lbs pulg)**.

**Importante: Siempre use un torquímetro para obtener el apriete adecuado.**



**Tubo y tapa de relleno de aceite**

Retire el tapón de hule y reemplace con el tubo de relleno de aceite. El tubo de relleno de aceite usa dos lengüetas de localización y se debe girar a su lugar. Una vez que lo instale, no se puede retirar. El tubo de relleno debe tener un anillo O instalado antes de instalar el tubo de relleno en la cubierta de la válvula. Use aceite de motor en el sello de anillo O antes de la instalación.





**Indicador de nivel de aceite**

Retire el tapón e instale el indicador de nivel de aceite suministrado.

**Cárter de aceite**

El juego de cárter de aceite de Chevrolet Performance muscle car No. de parte 19212593 se puede requerir para instalación en vehículos anteriores.

**Volante**

El motor armado L96 incluye una placa flexible de equipo original. El volante 12571611 también está disponible con su concesionario de Chevrolet Performance Parts para aplicaciones de transmisión manual.

**Cojinete piloto**

Debe instalar un cojinete piloto en la parte trasera del cigüeñal si el motor se va a usar con una transmisión manual. El cojinete piloto alinea el eje de entrada de la transmisión con la línea central del cigüeñal. Un cojinete piloto gastado o mal alineado puede causar problemas con los cambios y un desgaste rápido del embrague. Hay dos diferentes cojinetes piloto para el motor L96. 14061685 para un eje de entrada largo y 12557583 para un eje de entrada corto. Verifique el ajuste antes de la instalación de la transmisión u ocurrirá daño.

**Arrancador**

El motor armado L96 no incluye un motor de arranque. El número de parte 10465385 de Chevrolet Performance Parts es compatible con esta aplicación y es recomendado. Consulte a su concesionario de Chevrolet Performance Parts para mayores detalles.

**Inducción de aire**

Para proteger el motor del desgaste excesivo se debe usar un filtro/depurador de aire de baja obstrucción con elemento de espuma o papel. Adicionalmente, su sistema de control del motor puede tener recomendaciones relativas a los depuradores de aire y sistemas de admisión para un mejor rendimiento. Chevrolet Performance Parts vende un juego de inducción de aire universal, número de parte 19301246.

**Bomba de combustible**

El motor L96 no incluye una bomba de combustible. Generalmente el requerimiento del sistema de inyección electrónica de combustible (EFI) es de 58 psi de presión constante, pero consulte la información de su sistema de control del motor para obtener la recomendación real. La bomba de combustible que seleccione debe ser capaz de 45 galones por hora (GPH) a la presión recomendada. Chevrolet Performance ofrece un filtro/ regulador de combustible número de parte 19239926 que regulará la presión correcta de combustible.

**Soportes de transmisión accesoria**

El Juego de transmisión auxiliar No. de parte 19258433 y juego adicional de aire acondicionado No. de parte 19260892 están disponibles a partir de Chevrolet Performance para instalarse en motores L96. Estos kits contienen todos los componentes y hardware necesarios para la instalación (incluye compresor de aire acondicionado, bomba de dirección hidráulica y alternador). Por favor consulte a su concesionario Chevrolet Performance o visítenos en Internet en [www.chevroletperformance.com](http://www.chevroletperformance.com).

**Cebado de aceite:**

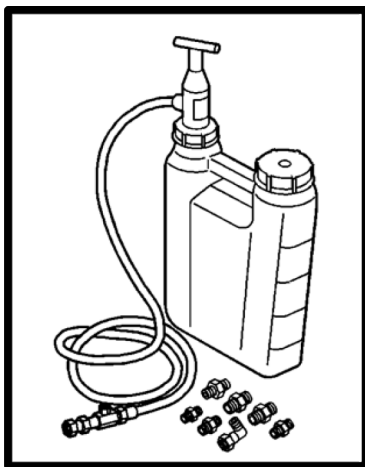
La seguridad es primero, si el vehículo está en el suelo, asegúrese de poner el freno de emergencia y de que las ruedas y la transmisión estén bloqueadas. Verifique que todo esté instalado correctamente y que no falte nada.

1. Este conjunto del motor necesita llenarse con aceite. Después de instalar el motor, asegúrese de que el cárter haya sido llenado con el aceite para motor adecuado hasta el nivel de llenado de aceite recomendado en la varilla de nivel. Este motor armado requiere un aceite especial que cumpla con DEXOS1 - 5W30. Además verifique y rellene conforme se requiera cualquier otro fluido necesario tal como refrigerante, líquido de dirección hidráulica, etc.
2. Se DEBE aplicar una capa de aceite a este motor antes de arrancar. El uso del juego de pre-lubricación de motor Kent-Moore J45299 es el proceso preferido para la aplicación de capa de aceite.

**NOTA: Se requiere un flujo constante y continuo de aceite de motor para cebar adecuadamente el motor. Asegúrese de usar aceite de motor aprobado, como se especifica.**

- A. Retire el filtro de aceite del motor, y llene con aceite de motor limpio.
- B. Instale el filtro de aceite y apriete.
- C. Ubique y retire el bloque de motor izquierdo del tapón de la galería de aceite (1).
- D. Instale el adaptador M16 x 1.5 No. de parte 509375
- E. Instale la manguera flexible al adaptador y abra la válvula.
- F. Bombee la manija del pre-lubricador J45299 para que fluya un mínimo de 1-1.9 litros (1-2 cuartos) de aceite de motor. Observe el flujo del aceite de motor a través de la manguera flexible y en el ensamble del motor. El motor se lubricará después de que se observe una pequeña cantidad de cambio de presión en el manómetro de aceite del vehículo mientras se bombea el J45299.
- G. Cierre la válvula y retire la manguera flexible y el adaptador del motor.
- H. Aplique sellador de rosca aprobado e instale el tapón de la galería de aceite al motor y apriete a 60 Nm (44 lbs. pie).

#### Pre-lubricador de motor J 45299



**En la ausencia de un juego de pre-lubricador, se puede usar el siguiente proceso.**

1. Instale un manómetro de aceite (se puede usar la ubicación del sensor de presión de aceite existente en el extremo superior del motor).
2. Desconecte el combustible y el sistema de control de ignición (se recomienda retirar la energía del módulo de control de ignición).

**NOTA: Asegúrese que no se pueda proveer combustible o energía de la ignición al motor. Retire todas las bujías que reducirán la carga en los rodamientos del motor y el motor de arranque durante la secuencia de cebado de aceite.**

3. Una vez que se hayan desconectado los sistemas de control de combustible e ignición, arranque el motor utilizando el motor de arranque durante 10 segundos y revise si hay presión de aceite. Si no hay presión, espere 30 segundos y encienda de nuevo el motor por 10 segundos. Repita este proceso hasta que el medidor indique la presión del aceite.
4. Instale las bujías y vuelva a conectar los sistemas de control de combustible e ignición.

#### Procedimiento de arranque

1. Arranque el motor y escuche si percibe ruidos inusuales. Si no oye ruidos inusuales, acelere el motor a aproximadamente 1,000 RPM hasta alcanzar una temperatura de operación normal.
2. Cuando sea posible, siempre debe permitir que el motor se caliente antes de empezar a conducir. Es una buena práctica dejar que la temperatura del cárter del aceite y del agua llegue a 180°F antes de levantar cargas pesadas o de acelerar a fondo.
3. El motor se debe conducir con diversas cargas y en diferentes condiciones las primeras 30 millas o una hora sin acelerador completamente abierto (WOT) o sin aceleraciones sostenidas a RPM altas.



4. Acelere cinco o seis veces a la mitad (50%) hasta unas 4,000 RPM y regrese a marcha en vacío (0% aceleración) con la velocidad puesta.
5. Acelere dos o tres veces a fondo (100% acelerador completamente abierto) hasta unas 4,000 RPM y regrese a marcha en vacío (0% aceleración) con la velocidad puesta.
6. Cambie el aceite y el filtro. Cambie el aceite conforme a la especificación del paso 1 y sustituya el filtro con un filtro de aceite nuevo PF48 AC Delco. Revise si el aceite o el filtro tiene partículas extrañas para asegurar que el motor funcione correctamente.
7. Conduzca las siguientes 500 millas (12 a 15 horas del motor) en condiciones normales. No opere el motor a su capacidad de velocidad máxima. De igual manera, no exponga el motor a periodos largos de carga pesada.
8. Cambie el aceite y el filtro. Nuevamente, revise si el aceite y filtro de aceite tienen partículas extrañas para asegurar que el motor funcione correctamente.

**Especificaciones de motor L96:**

Tipo:..... 6.0L Gen IV Bloque pequeño V8

Desplazamiento:..... 364 pulgadas cúbicas

Diámetro x Carrera:..... 4.000 x 3.622 pulgadas

Compresión: ..... 9.7:1

Bloque: ..... Hierro fundido, tapas principales con pernos en cruz de seis pernos

Culata de cilindro:..... Puerto rectangular de aluminio fundido

Diámetro de válvula (Admisión/Escape):..... 2.16"/1.59"

Volumen de la cámara:..... 68.4cc

Cigüeñal: ..... Hierro nodular, balanceado internamente

Bielas:..... Metal forjado en polvo

Pistones:..... Aluminio hipereutético

Árbol de levas:..... Levantador hidráulico del rodillo

Elevación:..... 0.476" admisión, 0.476" escape

Duración: ..... 194° admisión, 200° escape @.050" de elevación del levantador

Línea central:..... Ángulo de separación de lóbulo de 112° (LSA)

Proporción del brazo balancín:..... 1.7:1

Capacidad de aceite:..... 5.5 cuartos de galón (6.0 cuartos con filtro)

Presión de aceite  
(Mínima, con aceite caliente)..... 6 psig @ 1000 RPM

..... 18 psig @ 2000 RPM

..... 24 psig @ 4000 RPM

Aceite recomendado:..... DEXOS1

Filtro de aceite:..... AC Delco parte # PF48E

Combustible:..... Regular sin plomo-87 (R+M/2)

Velocidad máxima del motor: ..... 6000 RPM

Bujías:..... GM 12621258

..... AC Delco # 41-110

Distancia entre bujías:..... 040"

Orden de explosión: ..... 1-8-7-2-6-5-4-3

La información puede variar según la aplicación. Todas las especificaciones enumeradas están basadas en la información sobre la última producción disponible al momento de la impresión