



HT383E Base Long Block Specifications

Specifications Part Number 19355752

This HT383E specification sheet should be used in conjunction with the 383 short block specification sheet, GM part number 19355750.

Thank you for choosing Chevrolet Performance Parts as your high performance source. Chevrolet Performance Parts is committed to providing proven, innovative performance technology that is truly... more than just power. Chevrolet Performance Parts are engineered, developed and tested to exceed your expectations for fit and function. Please refer to our catalog for the Chevrolet Performance Parts Authorized Center nearest you or visit our website at www.chevroletperformance.com.

This publication provides general information on components and procedures which may be useful when installing or servicing an HT383E engine. Please read this entire publication before starting work. Also, please verify that all of the components listed in the Package Contents section below were shipped in the kit.

The information below is divided into the following sections: package contents, component information, HT383E engine specifications, additional parts that you may need to purchase, torque specifications, and a service parts list.

The HT383E engine incorporates modern technology in a package that can be installed in applications where 265-400ci small block Chevrolet V-8's were originally used. This complete engine is assembled using brand new, premium quality components. Due to the wide variety of vehicles in which an HT383E engine can be installed, some procedures and recommendations may not apply to specific applications.

The HT383E engine consists of a cast iron engine block, cast iron cylinder head assemblies, forged steel crankshaft, hypereutectic pistons, forged steel connecting rods, and a performance camshaft.

The HT383E engine is manufactured on current production tooling; consequently you may encounter dissimilarities between the HT383E engine assembly and previous versions of the small block V-8. In general, items such as motor mounts, accessory drives, exhaust manifolds, etc. can be transferred to an HT383E when it is installed in a vehicle originally equipped with a small block V-8 engine. However, as noted in the following sections, there may be minor differences between an HT383E engine and an older small block V-8 engine. These differences may require modifications or additional components not included with the HT383E engine. When installing an HT383E engine in a vehicle not originally equipped with a small block V-8, it may be necessary to adapt or fabricate various components for the cooling, fuel, electrical, and exhaust systems.

It is not the intent of these specifications to replace the comprehensive and detailed service practices explained in the Chevrolet service manuals.

For information about warranty coverage, please contact your local Chevrolet Performance Parts dealer.



Observe all safety precautions and warnings in the service manuals when installing an HT383E engine in any vehicle. Wear eye protection and appropriate protective clothing. When working under or around the vehicle support it securely with jackstands. Use only the proper tools. Exercise extreme caution when working with flammable, corrosive, and hazardous liquids and materials. Some procedures require special equipment and skills. If you do not have the appropriate training, expertise, and tools to perform any part of this conversion safely, this work should be done by a professional.

Legal and Emissions Information

This publication is intended to provide information about the HT383E engine and related components. This manual also describes procedures and modifications that may be useful during the installation of an HT383E engine. It is not intended to replace the comprehensive service manuals and parts catalogs which cover Chevrolet engines and components. Rather, it is designed to provide supplemental information in areas of interest to “do-it-yourself” enthusiasts and mechanics.

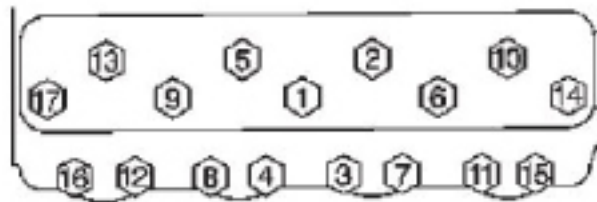
Chevrolet, Chevy, the Chevrolet Bow Tie Emblem, General Motors, and GM are all registered trademarks of the General Motors Company.

Package contents:

<u>Item</u>	<u>Description</u>	<u>Quantity</u>	<u>GM Part Number</u>
1	Engine Assembly	1	19355671
2	Intake Manifold Gasket Kit	1	89017465
3	Distributor	1	94672691
4	Spark Plug Wire Set	1	12192364
5	Oil Adapter Gasket Kit (4WD only)	1	88893990
6	Instruction Sheet	1	19355752
7	Instruction Sheet	1	19355750

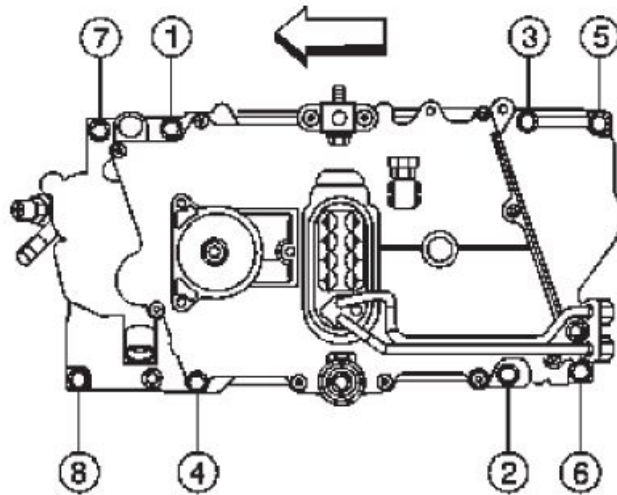
HT383E Engine Torque Specifications:

Camshaft retainer bolt	106 in.lbs. / 12 Nm (Blue Loctite)
Camshaft sprocket bolt.....	22 ft.lbs. / 30 Nm (Blue Loctite)
Connecting rod bolt	45 ft.lbs. / 61 Nm (30 weight oil)
Crankshaft balancer bolt.....	63 ft.lbs. / 85 Nm (Blue Loctite)
Crankshaft balancer pulley	35 ft.lbs. / 47 Nm (Blue Loctite)
Crankshaft bearing cap bolt (inner)	70 ft.lbs. / 95 Nm (30 weight oil)
Crankshaft bearing cap bolt (outer).....	65 ft.lbs. / 88 Nm (30 weight oil)
Crankshaft rear oil seal housing nut/bolt	11 ft.lbs. / 15 Nm (30 weight oil)
Cylinder head bolt (sequenced).	
First pass	25 ft.lbs. / 34 Nm (Teflon pipe sealant)
Second pass	40 ft.lbs. / 54 Nm
Final pass.....	65 ft.lbs. / 88 Nm



Distributor bolt	25 ft.lbs. / 34 Nm (None)
Engine block oil gallery plugs	
1/8" NPT/cast iron	15 ft.lbs. / 20 Nm (Teflon pipe sealant)
1/4" NPT/cast iron	20 ft.lbs. / 27 Nm (Teflon pipe sealant)
3/8" NPT/aluminum	20 ft.lbs. / 27 Nm (Teflon pipe sealant)
1/2" NPT/aluminum	25 ft.lbs. / 34 Nm (Teflon pipe sealant)
Engine front cover bolt.....	97 in.lbs. / 11 Nm (Blue Loctite)
Flywheel bolt.....	65-70 ft.lbs. / 88-95 Nm (Blue Loctite)
Fuel pump cover	
1/4" bolt	97 in.lbs. / 11 Nm (Blue Loctite)
3/8" bolt	30 ft.lbs. / 40 Nm (Blue Loctite)

Oil filter adapter bolt	18 ft.lbs. / 24 Nm (Blue Loctite)
Oil level indicator tube bolt	106 in.lbs. / 12 Nm (Blue Loctite)
Oil pan assembly	
Corner nut/bolt	15 ft.lbs. / 20 Nm (Blue Loctite)
Side rail bolt	97 in.lbs. / 11 Nm
Oil pan drain plug	15 ft.lbs. / 20 Nm (30 weight oil)
Oil pump bolt to the rear crankshaft bearing cap.....	66 ft.lbs. / 90 Nm (30 weight oil)
Oil pump cover bolt.....	80 in.lbs. / 9 Nm (Blue Loctite)
Rocker arm stud	50 ft.lbs. / 68 Nm (Blue Loctite)
Rocker cover bolt.....	106 in.lbs. / 12 Nm (30 weight oil)
Spark plug	15 ft.lbs. / 20 Nm (30 weight oil)
Starter motor bolt.....	35 ft.lbs. / 48 Nm (Blue Loctite)
Thermostat housing bolt.....	25 ft.lbs. / 34 Nm (Blue Loctite)
Valve lifter guide retainer bolt	18 ft.lbs. / 24 Nm (Blue Loctite)
Water pump bolt	30 ft.lbs. / 40 Nm (30 weight oil)
Windage tray nut	30 ft.lbs. / 40 Nm (30 weight oil)
Intake manifold bolts (see sequence below)	
First pass	3 N·m (27 lb in).
Second pass	12 N·m (106 lb in).
Final pass	15 N·m (11 lb ft).



Component Information:

Block

The HT383E Block is a 1986 and later (1 piece rear main seal) design. The block is bored then deck plate honed to a finished size of 4.005". Features include 4 bolt intermediate mains, clearanced for a 3.80" stroker crankshaft, and machined for hydraulic roller or flat tappet lifters.

Any small block engine, regardless of year, that uses Vortec heads, will require an external coolant bypass line from the intake manifold to the 5/8" hose nipple on the water pump (passenger's side). Suggested routing is from the 3/8 NPSF boss on intake manifold to the water pump.

Crankshaft

The HT383E Engine comes with forged crankshaft part number 12489436. The crankshaft features are outlined below:

- 3.800" stroke
- Externally balanced
- 2.45" main journals/2.10" rod journals
- Radii on main and rod journals
- One-piece style rear main
- Number 1 and 4 crank pins hollowed
- Rod and main oil hole chamfered
- 3.000" crank flange bolt circle
- 4340 steel alloy, nitride treated

Connecting Rods

Forged steel connecting rod with the centerline of crank pin bore to centerline of piston pin bore is 5.700". It has been machined to clear camshafts in most small block stroker applications.

Engine Bearings

Main engine bearings, part number 12499102, are a 3/4 groove design which maintains the full surface area in the most highly loaded portion of the lower main bearing, while permitting improved oil flow to the rod bearing. Main bearings #1-4 are manufactured from an H-14 (four metals) alloy and have a hardened steel backing made from SAE 1020 steel. The #5 flange bearing is manufactured from an H-24 (tri-metal) alloy and has a hardened steel backing made from SAE 1008-1010 steel.

Rod bearings, part number 17800761, feature a full chamfer on one side to accommodate the radius on the crankshaft journal. Rod bearings are manufactured from H-14 (four metals), and have a hardened steel backing made from SAE 1020 steel.

Pistons

New high performance hypereutectic flat top pistons featuring a special skirt coating designed to run with a piston to cylinder wall clearance of .0010"-.0015" including the coating. These pistons were designed to take full advantage of the deck plated and precisely honed engine block. They also feature a pressed piston pin.

Water Pump

The HT383E engine comes with a long leg style cast iron water pump.

Crankshaft Position Sensor (CKP)

The HT383E includes a crankshaft position sensor and the crankshaft target wheel behind the front cover. The crankshaft position sensor (CKP) mounting position is located in the front engine cover and is perpendicular to the crankshaft target wheel. The air gap between the sensor and the wheel is preset and not adjustable. The target wheel has 4 slots 60 degrees apart and is keyed to the crankshaft. As the target wheel rotates, the slots passing by the sensor create a change in the magnetic field of the sensor which results in an induced voltage pulse. One revolution of the crankshaft results in four pulses (4x signal). Based on these pulses, the VCM is able to determine crankshaft position and engine speed. The VCM then activates the fuel injector and provides a spark to the distributor.



Distributor

The HT383E includes a new OE distributor. The distributor is actually an assembly that contains the camshaft position (CMP) sensor, the cap, the rotor, and the shaft. The distributor is splined by a helical gear to the camshaft and rotates providing a spark to each spark plug wire. When servicing the distributor, it is critical to ensure proper cap sealing to the distributor body and correct installation to the camshaft. If the distributor is installed a tooth off in relation to the camshaft, a DTC P1345 sets in the VCM. Position of the distributor is important for allowing the VCM to determine which cylinder is in the firing position if a misfire occurs. The distributor position has no effect on ignition timing. All ignition timing is determined by the VCM by using the crankshaft position sensor (CKP).

Caution

This engine assembly needs to be filled with oil and primed. You should add the specified oil (see start-up instructions) to your new engine. Check the engine oil level on the dipstick and add accordingly.

Start-up and Break-in Procedures

1. After installing the engine, ensure the crankcase has been filled with 10w30 motor oil (non-synthetic) to the recommended oil fill level on the dipstick. Also check and fill as required any other necessary fluids such as coolant, power steering fluid, etc.
2. The engine should be primed with oil prior to starting. Follow the instructions enclosed with the tool. To prime the engine, first remove the distributor to allow access to the oil pump drive shaft. Note the position of the distributor before removal. Install the oil priming tool, part number 141-955 from our licensed partner factoryperformanceparts.com. Using a 1/2" dill motor, rotate the engine oil priming tool clockwise for three minutes. While you are priming the engine, have someone else rotate the crankshaft clockwise to supply oil throughout the engine and to all the bearing surfaces before the engine is initially started. This is the sure way to get oil to the bearings before you start the engine for the first time. Also, prime the engine if it sits for extended periods of time. Install Distributor as follows: (1) Locate cylinder #1 top dead center (TDC). (2) Rotate engine to 12 degrees before top dead center (BTDC). (3) Align Rotor with the cylinder #1 terminal on the Distributor.

After the engine has been installed in the vehicle, recheck the oil level and add oil as required. It is also good practice to always recheck the CMP offset after removal and reinstallation of the distributor. See step 4 or engine specifications for the proper distributor information.

3. Safety first. If the vehicle is on the ground, be sure the emergency brake is set, the wheels are chocked and the car cannot fall into gear. Verify everything is installed properly and nothing was missed.
4. Ignition timing is non adjustable on this engine. The high voltage switch (distributor) must be installed correctly for proper camshaft position (CMP) retard offset or the service engine soon light will be illuminated and DTC P1345 will be set in the powertrain control module. (see GM service information for details)
5. When possible, you should always allow the engine to warm up prior to driving. It is a good practice to allow the oil sump and water temperature to reach 180°F before towing heavy loads or performing hard acceleration runs.
6. Once the engine is warm, verify correct camshaft position (CMP) retard offset using a scan tool.
7. The engine should be driven at varying loads and conditions for the first 30 miles or one hour without wide open throttle (WOT) or sustained high RPM accelerations.
8. Run five or six medium throttle (50%) accelerations to about 4000 RPM and back to idle (0% throttle) in gear.
9. Run two or three hard throttle (WOT 100%) accelerations to about 4000 RPM and back to idle (0% throttle) in gear.
10. Change the oil and filter. Replace with 10w30 motor oil (non synthetic) and a PF25 AC Delco oil filter. Inspect the oil and the oil filter for any foreign particles to ensure that the engine is functioning properly.
11. Drive the next 500 miles under normal conditions or 12 to 15 engine hours. Do not run the engine at its maximum rated engine speed. Also, do not expose the engine to extended periods of high load.
12. Change the oil and filter. Again, inspect the oil and oil filter for any foreign particles to ensure that the engine is functioning properly.
13. Do not use synthetic oil for break-in. It would be suitable to use synthetic motor oil after the second recommended oil change and mileage accumulation. In colder regions, a lower viscosity oil may be required for better flow characteristics.



HT383E Engine Specifications:

Displacement: 383 cubic inches
Bore x Stroke: 4.005 inch x 3.80 inch
Compression 9.1:1 nominal
Block: Cast iron, four-bolt intermediate mains
Cylinder Head: Cast iron Vortec
 Valve Diameter (Intake/Exhaust): 1.94"/1.50"
Chamber Volume: 64cc
Crankshaft: 4340 Forged steel, 1 piece rear seal
Connecting Rods: 5.7" Forged, steel, 3/8" bolts
Pistons: Hypereutecic, 244-T5 aluminum alloy
Rings: Plasma Moly
Camshaft: Hydraulic roller tappet
 Lift:431" intake, .451" exhaust
 Duration: 196° intake, 206° exhaust @.050" tappet lift
 Centerline: 108° ATDC intake, 116° BTDC exhaust
Rocker Arm Ratio: 1.5:1
Timing Chain: 8 mm single roller design
Oil Pan: 5-quart (w/ new filter)
Oil Pressure (Normal): 40 psi @ 2000 RPM
Recommended Oil: 10W30 Synthetic (after break -in)
Oil Filter: AC Delco part # PF25 or PF52 (4WD)
Valve Lash: 1/2 turn down from zero lash
Fuel: Premium Unleaded - 93 (R+M/2)
Maximum Engine Speed: 5500 RPM
Spark Plugs: R44LTS
Spark Plug Gap040"
Spark Timing: Non Adjustable (crankshaft sensor)
Firing Order: 1-8-4-3-6-5-7-2

Information may vary with application. All specifications listed are based on the latest production information available at the time of printing.



Additional parts that may be needed:

Flywheel / Flexplate:

Like all small block V-8 engines produced since 1986, the HT383E engine has a 3.00" diameter flywheel flange bolt pattern. Small block V-8 engines produced from 1958 through 1985 had a 3.58" diameter flywheel flange bolt pattern. This change in bolt circle diameter was made to accommodate a leak-resistant one-piece rear main seal.

This HT383E engine includes a 12 3/4" diameter flexplate, part number 14088765. Use flywheel, part number 14088650, with manual transmissions. Also, if using a manual transmission, six bolts, part number 12337973, will be required.

Pilot Bearing:

You must install a pilot bearing in the rear of the crankshaft if the engine will be used with a manual transmission. The pilot bearing aligns the transmission input shaft with the crankshaft centerline. A worn or misaligned pilot bearing can cause shifting problems and rapid clutch wear. A roller pilot bearing, part number 14061685, is recommended for this engine. This heavy-duty bearing adds an extra margin of reliability to a high performance drivetrain.

Starter:

This HT383E engine does not include a starter. The starter must be matched to the flywheel or flexplate diameter when installing the HT383E engine. Small diameter flywheels are 12-3/4" in diameter and have a starter ring gear with 153 teeth. Large diameter flywheels are 14" in diameter and have 168 teeth on the starter ring gear. This difference in flywheel diameters requires two different starter housing. Starter noses used with 14" diameter flywheel have two offset bolt holes; starters used with 12-3/4" diameter flywheels have bolt holes that are straight across from each other.

Note: Chevrolet starter motors use special shouldered mounting bolts which register the starter on the block.

The following starters and hardware can be used with the HT383 engine:

- | | |
|----------|---|
| 10496870 | Heavy-duty, remanufactured starter for 12-3/4" diameter flywheel/flexplate |
| 1876552 | Heavy-duty starter for 14" diameter flywheel/flexplate |
| 14097278 | Bolt, starter mounting, long, for heavy-duty starter, 3/8"-16 x 4.65" long |
| 14097279 | Bolt, starter mounting, long, for heavy-duty starter, 3/8"-16 x 1.85" long |
| 19302919 | Permanent magnet gear reduction (PMGR) starter for 14" diameter flywheel/flexplate (10 lb.) |
| 14037733 | Bolt, starter mounting, inner for 12-3/4" PMGR starter |

Rocker Covers:

This HT383E Engine comes equipped with black stamped steel, center hold-down bolt rocker covers. Chevrolet Performance offers several valve cover options if you would like to dress up your engine. See the catalog or visit chevroletperformance.com for more information.

Rocker Cover Grommets:

The HT383E engine does not come with rocker cover grommets. It is recommended to use grommet part number 3989350 with these rocker covers.



1. Install PCV valve, part number 6487779, into the grommet in the rocker cover on the left hand side of the engine.
2. Attach one end of the PCV hose to the PCV valve. Attach the other end of the hose as per the vacuum hose routing as shown on the underhood label (or see Chevrolet service information)

HT383E Service Parts List:

<u>Part #</u>	<u>Quantity</u>	<u>Name</u>	<u>Part #</u>	<u>Quantity</u>	<u>Name</u>
19355673	1	Engine Asm, Partial 383 Cid	12551144	1	Indicator Asm-Oil Lvl
88962516	1	Block Asm, Eng	12558060	2	Head Asm, Cyl(W/Vlv)
12499103	1	Piston Kit, W/Pin (.005" O/S) set of 8	12529093	2	Head, Cyl (Mchg)
12499107	1	Ring Kit, Pstn (0.005" O/S) set of 8	10241743	8	Valve, Int
19355718	8	Rod Asm, Conn	12550909	8	Valve, Exh
12489436	1	Crankshaft, 3.800 Forged Steel	10212811	16	Spring, Vlv
12499102	1	Bearing Kit, Cr/Shf Main (STD)	3814692	AR	Stud, Vlv Rkr Arm Ball (.003 OS)
17800761	1	Bearing Kit, Conn Rod (STD)	3815892	AR	Stud, Vlv Rkr Arm Ball (.013 OS)
14088764	6	Bolt/Screw-Flywhl	24503856	32	Key, Vlv Stem
12555771	1	Gasket-Cr/Shf Rr Oil Seal Hsg	10212810	8	Seal, Int Vlv Stem Oil
10108676	1	Gasket-Oil Pan	12564852	8	Seal, Exh Vlv Stem Oil
12561389	3	Stud-Cr/Shf Brg Cap	10241744	16	Cap, Vlv Spr
14101058	1	Stud-Cr/Shf Rr Oil Seal Ret	10168527	16	Bolt/Screw-Cyl Hd (Short)
14088556	1	Housing, Cr/Shf Rr Oil Seal	10168526	4	Bolt/Screw-Cyl Hd (Med)
106751	2	Key-Crankshaft	10168525	14	Bolt/Screw-Cyl Hd (Long)
12554816	1	Deflector-Cr/Shf Oil	12557236	2	Gasket-Cyl Hd
14088765	1	Flywheel Asm	10046089	2	Gasket-Vlv Rkr Arm Cvr
12498008	1	Dampener, Torsional	89017465	1	Gasket Kit-Int Manif
12557558	1	Pan, Oil	88894341	1	Pump Kit, Wat
12553058	1	Reinforcement-Oil Pan	10241740	16	Rod Asm-Vlv Push
12553059	1	Reinforcement-Oil Pan	10089648	16	Arm Kt, Vlv Rkr (W/Ball)
93442037	1	Pump Asm-Oil	14097395	1	Camshaft Asm
12550042	1	Screen Asm-O/Pmp	17120735	16	Lifter, Vlv
3998287	1	Shaft, O/Pmp Drv	12550002	8	Guide-Vlv Lftr
3764554	1	Retainer-O/Pmp Drv Shf	12555269	2	Cover Asm-Vlv Rkr Arm
12594364	1	Washer-Cr/Shf Pul Hub	12552129	1	Sprocket-Cm/Shf
12562818	1	Cover Asm-Eng Frt	14088783	1	Chain-Cm/Shf Timing
10228655	1	Seal Asm, Cr/Shf Frt Oil	12496820	1	Manifold Pkg, Int
10213294	8	Grommet, Eng Frt Cvr	19157986	8	Spark Plug
14088784	1	Sprocket-Cr/Shf			
12551154	1	Tube Asm-Oil Lvl Ind			

Caractéristiques techniques du moteur à bloc long de base HT383E

Caractéristiques N° de pièce 19355752

Cette fiche de caractéristiques techniques du moteur HT383E doit être utilisée conjointement avec la fiche de caractéristiques techniques du bloc moteur embiellé 383, n° de pièce GM 19355750.

Nous vous remercions d'avoir choisi Chevrolet Performance Parts comme source de haute performance. Chevrolet Performance Parts s'est engagée à offrir une technologie de rendement éprouvée et novatrice qui est réellement... beaucoup plus que de la puissance. Les pièces de Chevrolet Performance Parts ont été conçues, élaborées et mises à l'essai de manière à dépasser vos attentes de réglage précis et de fonction. Veuillez vous reporter à notre catalogue pour connaître le centre Chevrolet Performance Parts autorisé le plus près de chez vous ou visitez notre site Web à www.chevroletperformance.com

La présente publication offre des informations d'ordre général sur les composants et les procédures pouvant s'avérer utiles lors de l'installation ou de l'entretien d'un moteur HT383E. Veuillez lire en entier la présente publication avant de commencer à travailler. Veuillez également vérifier que tous les composants énumérés dans la section Contenu de l'ensemble ci-dessous ont été envoyés avec la trousse.

Les informations ci-dessous sont réparties dans les sections suivantes : contenu de l'ensemble, renseignements sur les composants, caractéristiques techniques du moteur HT383E, pièces supplémentaires qu'il faut peut-être acheter, spécifications de couple et liste de pièces de rechange.

Le moteur HT383E bénéficie d'une technologie moderne dans un ensemble qui peut être monté dans les applications où le V-8 à petit bloc Chevrolet 265-400ci était précédemment utilisé. Ce moteur complet est monté en utilisant des composants neufs de première qualité. En raison du grand nombre de véhicules sur lesquels un moteur HT383E peut être monté, certaines procédures et recommandations peuvent ne pas s'appliquer à des applications particulières.

Le moteur HT383E est constitué d'un bloc-moteur en fonte, d'ensembles culasse en fonte, d'un arbre à cames en acier forgé, de pistons en alliage hypereutectique, de bielles en acier forgé et d'un arbre à cames de performance.

Le moteur HT383E est fabriqué sur l'outillage de production actuel ; par conséquent, il est possible de rencontrer des dissemblances entre le moteur HT383E et les précédentes versions du petit bloc V-8. En général, les éléments tels que les fixations du moteur, les entraînements accessoires, les tubulures d'échappement, etc. peuvent être transférés sur un HT383E lorsqu'il est monté sur un véhicule équipé à l'origine d'un moteur V-8 à petit bloc. Toutefois, comme l'indiquent les sections suivantes, il peut exister de petites différences entre un moteur HT383E et un moteur V-8 à petit bloc plus ancien. Ces différences peuvent nécessiter des modifications ou des composants supplémentaires non fournis avec le moteur HT383E. Lors du montage d'un moteur HT383E sur un véhicule non équipé à l'origine d'un V-8 à petit bloc, il peut être nécessaire d'adapter ou de fabriquer divers composants pour les systèmes de refroidissement, de carburant, d'électricité et d'échappement.

Ces caractéristiques techniques ne sont pas destinées à remplacer les pratiques d'entretien complètes et détaillées expliquées dans les manuels d'entretien Chevrolet.

Pour obtenir de l'information sur l'étendue de la garantie, prière de communiquer avec le concessionnaire Chevrolet Performance Parts local.

Respecter toutes les mesures de sécurité et tous les avertissements présentés dans les manuels d'entretien au moment de poser un moteur HT383E dans tout véhicule. Porter un protecteur pour la vue et des vêtements de protection appropriés. Lorsqu'on travaille sous ou autour d'un véhicule, le soutenir solidement à l'aide de chandelles. Utiliser seulement les outils appropriés. Faire preuve d'extrême prudence lorsqu'on travaille avec des liquides ou des matériaux inflammables, corrosifs ou dangereux. Certaines procédures nécessitent l'utilisation d'un équipement spécial et des habiletés particulières. Si vous ne possédez pas la formation, l'expertise et les outils nécessaires pour effectuer toute partie de cette conversion en toute sécurité, ce travail devrait être réalisé par un professionnel.

Information juridique et relative aux émissions

La présente publication a pour objet d'offrir des renseignements sur le moteur HT383E et les composants connexes. Le présent manuel décrit également les procédures et les modifications pouvant être utiles pendant la pose d'un moteur HT383E. Ces renseignements ne sont pas destinés à remplacer les manuels de réparation complets et les catalogues de pièces en matière de moteurs et de composants de Chevrolet. Plutôt, ce guide a été conçu pour offrir des renseignements supplémentaires sur les matières pouvant intéresser les « bricoleurs » et les mécaniciens.

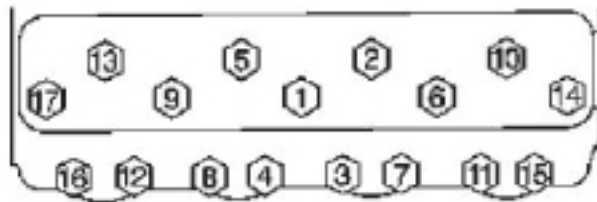
Chevrolet, Chevy, l'emblème Chevrolet, General Motors et GM sont des marques déposées de General Motors.

Contenu de l'ensemble :

<u>Item</u>	<u>Description</u>	<u>Quantité</u>	<u>N° de pièce GM</u>
1	Ensemble de moteur	1	19355671
2	Trousse de joint de tubulure d'admission	1	89017465
3	Distributeur	1	94672691
4	Ensemble de câbles de bougies d'allumage	1	12192364
5	Trousse de joint l'adaptateur d'huile (4 roues motrices uniquement)	1	88893990
6	Feuille de directives	1	19355752
7	Feuille de directives	1	19355750

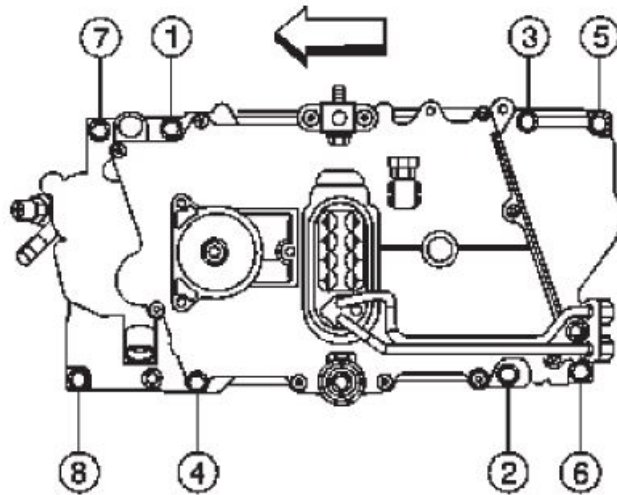
Spécifications de couple du moteur HT383E :

Boulon de retenue de l'arbre à cames.....	106 lb po / 12 Nm (Loctite Blue)
Boulon de pignon de l'arbre à cames	22 lb pi / 30 Nm (Loctite Blue)
Boulon de bielle	45 lb pi / 61 Nm (huile de grade 30)
Boulon d'amortisseur de vibrations	63 lb pi / 85 Nm (Loctite Blue)
Poulie d'amortisseur de vibrations.....	35 lb pi / 47 Nm (Loctite Blue)
Boulon de chapeau de palier de vilebrequin (interne).....	70 lb pi / 95 Nm (huile de grade 30)
Boulon de chapeau de palier de vilebrequin (externe).....	65 lb pi / 88 Nm (huile de grade 30)
Écrou/boulon de carter de joint à huile arrière de vilebrequin	11 lb pi / 15 Nm (huile de grade 30)
Boulon de culasse (séquenté).	
Première passe.....	25 lb pi / 34 Nm (produit d'étanchéité de tuyau au Téflon)
Deuxième passe	40 lb pi / 54 Nm
Dernière passe.....	65 lb pi / 88 Nm



Boulon de distributeur.....	25 lb pi / 34 Nm (Aucun)
Bouchons de passage d'huile du bloc-moteur	
1/8 po NPT/fonte	15 lb pi / 20 Nm (produit d'étanchéité de tuyau au Téflon)
1/4 po NPT/fonte	20 lb pi / 27 Nm (produit d'étanchéité de tuyau au Téflon)
3/8 po NPT/aluminium.....	20 lb pi / 27 Nm (produit d'étanchéité de tuyau au Téflon)
1/2 po NPT/aluminium.....	25 lb pi / 34 Nm (produit d'étanchéité de tuyau au Téflon)
Boulon de couvercle avant du moteur.....	97 lb po / 11 Nm (Loctite Blue)
Boulon de volant moteur.....	65-70 lb pi / 88-95 Nm (Loctite Blue)
Couvercle de pompe à carburant	
Boulon 1/4 po.....	97 lb po / 11 Nm (Loctite Blue)
Boulon 3/8 po.....	30 lb pi / 40 Nm (Loctite Blue)

Boulon d'adaptateur de filtre à huile	18 lb pi / 24 Nm (Loctite Blue)
Boulon de tube d'indicateur de niveau d'huile	106 lb po / 12 Nm (Loctite Blue)
Ensemble carter d'huile	
Écrou/boulon d'angle	15 lb pi / 20 Nm (Loctite Blue)
Boulon de longeron	97 lb po / 11 Nm
Bouchon de vidange de carter d'huile	15 lb pi / 20 Nm (huile de grade 30)
Boulon de pompe à huile sur le chapeau de palier arrière de vilebrequin	66 lb pi / 90 Nm (huile de grade 30)
Boulon de couvercle de pompe à huile	80 lb po / 9 Nm (Loctite Blue)
Goujon de culbuteur	50 lb pi / 68 Nm (Loctite Blue)
Boulon de cache-culbuteur	106 lb po / 12 Nm (huile de grade 30)
Bougie	15 lb pi / 20 Nm (huile de grade 30)
Boulon de démarreur	35 lb pi / 48 Nm (Loctite Blue)
Boulon de boîtier de thermostat	25 lb pi / 34 Nm (Loctite Blue)
Boulon de retenue de guide de poussoir de soupape	18 lb pi / 24 Nm (Loctite Blue)
Boulon de pompe à eau	30 lb pi / 40 Nm (huile de grade 30)
Écrou de plateau de dérive	30 lb pi / 40 Nm (huile de grade 30)
Boulons de la tubulure d'admission (voir l'ordre ci-dessous)	
Premier passage	3 N·m (27 lb-po)
Deuxième passage	12 N·m (106 lb-po)
Dernier passage	15 N·m (11 lb-pi).



Renseignements sur les composants :**Bloc**

Le bloc-moteur HT383E est de conception 1986 et ultérieure (1 joint principal arrière monobloc). Le bloc-moteur est percé et surmonté d'une plaque de finition traitée de taille finie 4,005 po. Ses caractéristiques incluent un boîtier intermédiaire à 4 boulons, avec dégagement pour une course de vilebrequin de 3,80 po, et usiné pour rouleaux hydrauliques ou poussoirs plats.

Tous les moteurs à bloc compact, peu importe l'année, qui utilisent des culasses Vortec, nécessitent une conduite de dérivation de liquide de refroidissement externe entre la tubulure d'admission et le raccord de flexible 5/8 po de la pompe à eau (côté passager). Nous recommandons d'acheminer la conduite du bossage 3/8 NPSF de la tubulure d'admission jusqu'à la pompe à eau.

Vilebrequin

Le moteur HT383E est équipé d'un vilebrequin forgé de n° de pièce 12489436. Les caractéristiques du vilebrequin sont indiquées ci-dessous :

- Course de 3,800 po
- Équilibrage externe
- Coussinets principaux de 2,45 po/coussinets de bielle de 2,10 po
- Rayons sur coussinets principaux et de bielle
- Joint principal arrière de type monobloc
- Manetons numéros 1 et 4 évidés
- Trous de graissage principal et de bielle chanfreinés
- Cercle de boulonnage des brides de manivelle de 3,000 po
- Alliage d'acier 4340, nitruré

Bielles

Bielle en acier forgé avec ligne centrale d'alésage d'axe de manivelle à ligne centrale d'alésage d'axe de piston de 5,700 po. Elle a été usinée pour dégager les arbres à cames de la plupart des applications à bloc compact.

Paliers de moteur

Les paliers principaux du moteur, n° de pièce 12499102, sont rainurés aux 3/4 et maintiennent la totalité de la surface dans la portion la plus fortement chargée du palier inférieur principal, tout en permettant un écoulement d'huile amélioré vers le palier de bielle. Les paliers principaux n°1 à 4 sont fabriqués à partir d'un alliage H-14 (quatre métaux) et sont renforcés avec de l'acier trempé SAE 1020. Le palier à bride n°5 est fabriqué à partir d'un alliage H-24 (trois métaux) et est renforcé avec de l'acier trempé SAE 1008-1010.

Les paliers de bielle, n° de pièce 17800761, sont munis d'un chanfrein plein sur un côté afin de s'adapter au rayon du coussinet du vilebrequin. Les paliers de bielle sont fabriqués à partir d'un alliage H-14 (quatre métaux) et sont renforcés avec de l'acier trempé SAE 1020.

Pistons

Nouveaux pistons à tête plate hypereutectiques de haute performance, pourvus d'un revêtement de chemise conçu pour fonctionner avec un dégagement de 0,0010 à 0,0015 po entre le piston et la paroi de cylindre, revêtement compris. Ces pistons ont été conçus pour tirer pleinement avantage du bloc-moteur surmonté d'une plaque de finition et traité avec précision. Ils sont également pourvus d'un axe de piston pressé.

Pompe à eau

Le moteur HT383E est doté d'une pompe à eau en fonte à longue patte.

Capteur de position du vilebrequin (CKP)

Le HT383E comprend un capteur de position de vilebrequin et la roue cible du vilebrequin se trouve derrière le couvercle avant. L'emplacement de montage du capteur de position de vilebrequin (CKP) se trouve dans le couvercle avant du moteur et il est perpendiculaire à la roue cible du vilebrequin. L'entrefer entre le capteur et la roue est pré-réglé et non modifiable. La roue cible comporte 4 fentes espacées de 60° et elle est clavetée au vilebrequin. Lorsque la roue cible tourne, les fentes qui passent près du capteur créent une modification du champ magnétique du capteur qui génère une impulsion de tension induite. Un tour de vilebrequin génère quatre impulsions (4 signaux). Sur la base de ces impulsions, le VCM incapable de déterminer la position du vilebrequin et le régime moteur. Le VCM active alors l'injecteur de carburant et fournit une étincelle au distributeur.

Distributeur

Le moteur HT383E comporte un nouveau distributeur. Le distributeur est un ensemble qui contient le capteur de position d'arbre à cames (CMP), le capuchon, le rotor et l'arbre. Le distributeur est accouplé par cannelures par une roue hélicoïdale sur l'arbre à cames et tourne en fournissant une étincelle à chaque câble de bougie d'allumage. Lors d'une intervention sur un distributeur, il est primordial d'assurer une étanchéité correcte du capuchon sur le corps du distributeur ainsi qu'une pose correcte sur l'arbre à cames. Si le distributeur est posé avec une dent de décalage sur l'arbre à cames, le DTC P1345 se mémorise dans le VCM. La position des distributeurs est importante pour permettre au VCM de déterminer quel cylindre est en position d'allumage si un raté survient. La position du distributeur n'a aucun effet sur le calage de l'allumage. Tout le calage de l'allumage est déterminé par le VCM à l'aide du capteur de position du vilebrequin (CKP).

Attention

Ce moteur doit être rempli d'huile et amorcé. Il vous faut ajouter de l'huile spécifiée (voir les instructions au démarrage) à votre moteur neuf. Vérifier le niveau d'huile moteur sur la jauge d'huile et compléter au besoin.

Procédures de démarrage et de rodage

1. Après avoir posé le moteur, s'assurer que le carter de vilebrequin a été rempli avec de l'huile moteur 10W30 (non synthétique) jusqu'au niveau de remplissage d'huile recommandé sur la jauge graduée. Vérifier et ajouter tout autre liquide nécessaire, comme du liquide de refroidissement, du liquide de direction assistée, etc.
2. Le moteur doit être amorcé avec de l'huile avant de démarrer. Suivre les instructions fournies avec l'outil. Pour amorcer le moteur, déposer d'abord le distributeur pour accéder à l'arbre d'entraînement de la pompe à huile. Noter la position du distributeur avant de le déposer. Installer l'outil d'amorce d'huile, n° de pièce 141-955, de notre partenaire agréé factoryperformanceparts.com. À l'aide d'un moteur de perceuse de 1/2", faire tourner l'outil d'amorçage d'huile moteur dans le sens horaire pendant trois minutes. Pendant l'amorçage du moteur, demander à quelqu'un d'autre de faire tourner le vilebrequin dans le sens horaire pour alimenter tout le moteur et toutes les surfaces des roulements en huile avant de faire démarrer le moteur. C'est la façon la plus sûre de faire parvenir l'huile aux roulements avant de faire démarrer le moteur pour la première fois. Amorcer également le moteur s'il n'a pas tourné pendant une longue période. Poser l'allumeur de la façon suivante : (1) Placer le cylindre no 1 au point mort haut (PMH). (2) Faire tourner le moteur jusqu'à 12 degrés avant le point mort haut (av. PMH). (3) Aligner le rotor avec la borne du cylindre no 1 dans l'allumeur.

Après avoir monté le moteur sur le véhicule, revérifier le niveau d'huile et ajouter de l'huile au besoin. Il est également conseillé de toujours revérifier le décalage du CMP après avoir déposé et reposé le distributeur. Voir l'étape 4 ou les caractéristiques techniques du moteur pour se renseigner sur le distributeur.

3. La sécurité d'abord. Si le véhicule est sur le sol, s'assurer que le frein de stationnement est engagé, que les roues sont calées et que le véhicule ne peut s'engager dans un rapport. Vérifier si tout est installé adéquatement et que rien ne manque.
4. Le calage de l'allumage n'est pas réglable sur ce moteur. Le commutateur haute tension (distributeur) doit être posé de manière que le décalage du retard de la position de l'arbre à cames (CMP) soit correct sinon le témoin de rappel d'entretien du moteur s'allume et le DTC P1345 s'enregistrent dans le module de commande du groupe motopropulseur (consulter les informations d'entretien GM pour plus de détails).
5. Lorsque cela est possible, vous devriez toujours permettre au moteur de se réchauffer avant de conduire. Une bonne pratique est de permettre à la température du carter d'huile et de l'eau d'atteindre 180°F avant de tirer de lourdes charges ou de faire des courses à accélération brusque.
6. Une fois que le moteur est chaud, vérifier que le décalage du retard de la position de l'arbre à cames (CMP) est correct à l'aide d'un analyseur-contrôleur.
7. Le moteur devrait être entraîné à différentes charges et dans différentes conditions les 30 premiers milles ou pendant une heure sans être au régime maximal (WOT) ou sans subir d'accélération brusques du nombre de tours par minute.
8. Effectuer cinq ou six accélérations à gaz moyens (50 %) jusqu'à environ 4 000 tr/min puis retourner à la marche au ralenti (0 % des gaz) en prise.
9. Effectuer deux ou trois accélérations dures (pleins gaz à 100 %) jusqu'à environ 4 000 tr/min puis retourner à la marche au ralenti (0 % des gaz) en prise.
10. Vidanger l'huile et remplacer le filtre. Remplacer l'huile par une huile moteur 10W30 (non synthétique) et remplacer le filtre à huile par un filtre PF25 AC Delco. Vérifier l'huile et le filtre à huile afin de repérer toute particule étrangère pour s'assurer que le moteur fonctionne correctement.
11. Rouler pendant les 500 milles suivants en conditions normales ou pendant 12 à 15 heures de moteur. Ne pas faire tourner le moteur à sa vitesse nominale maximale. De plus, ne pas exposer le moteur à des périodes prolongées de charge élevée.
12. Vidanger l'huile et remplacer le filtre. Vérifier l'huile et le filtre à huile de nouveau afin de repérer toute particule étrangère pour s'assurer que le moteur fonctionne correctement.
13. Ne pas utiliser d'huile synthétique pour le rodage. Il est conseillé d'utiliser de l'huile moteur synthétique après la deuxième vidange d'huile et le kilométrage recommandé. Dans les régions plus froides, une viscosité inférieure de l'huile peut être nécessaire pour un meilleur écoulement de l'huile.

Spécifications du moteur HT383E :

Cylindrée :	383 pouces cubes
Alésage x course :	4,005 po x 3,80 po
Compression.....	9,1:1 nominal
Bloc :	Fonte, boîtier intermédiaire à quatre boulons
Culasse :	Fonte Vortec
Diamètre des soupapes (admission/échappement) :	1,94 po/1,50 po
Volume de la chambre :	64 cc
Vilebrequin :	Acier forgé 4340, 1 joint arrière monobloc
Bielles :	Acier forgé 5,7 po, boulons 3/8 po
Pistons :	Hypereutectiques, alliage d'aluminium 244-T5
Segments :	Moly plasma
Arbre à cames :	Poussoir à galet hydraulique
Levée :	Admission 0,431 po, échappement 0,451 po
Durée :	Admission 196°, échappement 206° à une levée de poussoir de 0,050 po
Axe :	Admission après PMH 108°, échappement avant PMH 116°
Rapport des culbuteurs :	1,5:1
Chaîne de distribution :	8 mm à un seul galet
Carter d'huile :	5 pintes (avec nouveau filtre)
Pression d'huile (normale) :	40 psi à 2 000 tr/min
Huile recommandée :	10W30 synthétique (après rodage)
Filtre à huile :	N° de pièce AC Delco PF25 ou PF52 (4WD)
Jeu de soupape :	1/2 tour vers le bas depuis le jeu zéro
Carburant :	Supercarburant sans plomb - 93 (R+M/2)
Régime maximal du moteur :	5 500 tr/min
Bougies d'allumage :	R44LTS
Écartement des électrodes	0,040 po
Calage d'allumage :	Non réglable (capteur de vilebrequin)
Ordre d'allumage :	1-8-4-3-6-5-7-2

L'information peut varier selon l'application. Toutes les caractéristiques techniques énumérées sont basées sur les plus récentes données de production disponibles à la date d'impression.

Pièces supplémentaires pouvant être requises :**Volant moteur / Plateau d'entraînement flexible :**

Comme tous les moteurs V-8 à petit bloc produits depuis 1986, le moteur HT383E présente un schéma de boulonnage de bride de volant moteur de 3,00 po de diamètre. Les moteurs V-8 petit bloc produits entre 1958 et 1985 ont des boulons de flasque de volant moteur de 3,58 po de diamètre. Cette modification du diamètre du cercle de boulonnage a permis de poser un joint d'étanchéité de vilebrequin arrière monobloc.

Ce moteur HT383E comprend un plateau d'entraînement flexible de 12 3/4 po de diamètre, N/P 14088765. Utiliser le volant moteur, n° de pièce 14088650, avec les boîtes de vitesses manuelles. Également, en cas d'utilisation d'une boîte de vitesses manuelle, six boulons, n° de pièce 12337973, sont nécessaires.

Roulement-guide :

On doit installer un roulement-guide derrière le vilebrequin si l'on prévoit utiliser le moteur conjointement avec une boîte manuelle. Le roulement-guide aligne l'arbre primaire de la boîte de vitesses avec l'axe central du vilebrequin. Un roulement-guide usé ou désaligné peut provoquer des anomalies de changement de vitesse et une usure rapide de l'embrayage. Un roulement-guide à rouleaux, n° de pièce 14061685, est recommandé pour ce moteur. Ce roulement hautement résistant donne une marge de fiabilité supplémentaire à la transmission à hautes performances.

Démarrreur :

Ce moteur HT383E n'inclut pas de démarrage. Le démarrage doit correspondre au diamètre du volant moteur ou du plateau d'entraînement flexible pour le montage du moteur HT383E. Les petits volants moteurs ont un diamètre de 12 3/4 po et une couronne de démarrage à 153 dents. Les grands volants moteur ont un diamètre de 14 po et ont 168 dents sur la couronne du démarrage. Cette différence de diamètre des volants moteurs nécessite deux boîtiers de démarrage différents. Les nez de démarrage utilisés avec un volant moteur de 14 po de diamètre ont deux orifices de boulons décalés ; les démarrures utilisés avec des volants moteurs de 12 3/4 po de diamètre ont des orifices de boulons en ligne droite.

Remarque : Les démarrures Chevrolet utilisent des boulons de fixation à épaulement spéciaux qui indiquent le démarrage sur le bloc.

Les démarrures et le matériel suivants peuvent être utilisés avec le moteur HT383 :

10496870	Démarrure haute résistance, remis à neuf pour volant moteur/plateau d'entraînement flexible de 12 3/4 po de diamètre
1876552	Démarrure haute résistance pour volant moteur/tôle d'entraînement de 14 po de diamètre
14097278	Boulon, fixation du démarrage, long, pour démarrage haute résistance, 3/8 po-16 x 4,65 po de long
14097279	Boulon, fixation du démarrage, long, pour démarrage haute résistance, 3/8 po-16 x 1,85 po de long
19302919	Démarrure, démultiplication à aimant permanent (PMGR) pour volant moteur/plateau d'entraînement flexible de 14 po (10 lb)
14037733	Boulon, fixation du démarrage, intérieur pour démarrage PMGR de 12-3/4 po

Cache-culbuteurs :

Ce moteur HT383E est équipé de cache-culbuteurs en acier estampé noir avec boulon de retenue centré. Chevrolet Performance offre diverses options de cache-culbuteurs si vous désirez habiller votre moteur. Se reporter au catalogue ou visiter chevroletperformance.com pour en savoir plus.

Œillets de cache-culbuteurs :

Le moteur HT383E n'inclut pas d'œillets de cache-culbuteurs. Il est recommandé d'utiliser des œillets de n° de pièce 3989350 avec ces cache-culbuteurs.



1. Poser la soupape PCV, n° de pièce 6487779, dans l'œillet du cache-culbuteur situé du côté gauche du moteur.
2. Fixer une extrémité du flexible PCV à la soupape PCV. Fixer l'autre extrémité du flexible conformément au cheminement du flexible à dépression comme illustré sur l'étiquette sous le capot (ou se reporter aux informations de service Chevrolet)

Liste des pièces de rechange HT383E :

<u>N° de pièce</u>	<u>Quantité</u>	<u>Nom</u>	<u>N° de pièce</u>	<u>Quantité</u>	<u>Nom</u>
19355673	1	Ensemble de moteur, partiel 383 Cid	12551144	1	Ens. indicateur de niveau d'huile
88962516	1	Ensemble bloc-moteur	12558060	2	Ens. culasse, Cylindre (avec soupapes)
12499103	1	Trousse de pistons, avec axes (0,005 po O/S) jeu de 8	12529093	2	Culasse, cylindre (usiné)
12499107	1	Trousse de segments de piston (0,005 po O/S) jeu de 8	10241743	8	Soupape, admission
19355718	8	Ens. bielle	12550909	8	Soupape d'échappement
12489436	1	Vilebrequin en acier forgé de 3,800 po	10212811	16	Ressort, soupape
12499102	1	Trousse de palier principal de vilebrequin (STD)	3814692	AR	Goujon, Rotule de culbuteur de soupape (0,003 po surdimens.)
17800761	1	Trousse de palier de bielle (STD)	3815892	AR	Goujon, Rotule de culbuteur de soupape (0,013 po surdimens.)
14088764	6	Boulon/vis, volant moteur	24503856	32	Clavette, tige de soupape
12555771	1	Joint-Logement de bague d'étanchéité arrière de vilebrequin	10212810	8	Bague d'étanchéité d'huile, huile de tige de soupape d'admission
10108676	1	Joint, carter d'huile	12564852	8	Bague d'étanchéité d'huile, huile de tige de soupape d'échappement
12561389	3	Goujon de chapeau de palier de vilebrequin	10241744	16	Bouchon, ressort de soupape
14101058	1	Goujon de retenue de bague d'étanchéité arrière de vilebrequin	10168527	16	Boulon/vis-culasse (court)
14088556	1	Logement de bague d'étanchéité arrière de vilebrequin	10168526	4	Boulon/vis-culasse (moyen)
106751	2	Clavette, vilebrequin	10168525	14	Boulon/vis-culasse (long)
12554816	1	Déflexeur d'huile de vilebrequin	12557236	2	Joint-culasse
14088765	1	Ens. volant moteur	10046089	2	Joint-cache-culbuteur
12498008	1	Amortisseur de torsion	89017465	1	Trousse de joint-tubulure d'admission
12557558	1	Carter d'huile	88894341	1	Trousse de pompe, eau
12553058	1	Renfort, carter d'huile	10241740	16	Ensemble bielle-poussoir de soupape
12553059	1	Renfort, carter d'huile	10089648	16	trousse de culbuteur de soupape (avec bille)
93442037	1	Ens. pompe à huile	14097395	1	Ensemble arbre à cames
12550042	1	Ens. tamis de pompe à huile	17120735	16	Poussoir, soupape
3998287	1	Arbre, Entraînement pompe à huile	12550002	8	Guide-poussoir de soupape
3764554	1	Dispositif de retenue d'arbre d'entraînement de pompe à huile	12555269	2	Ensemble cache-culbuteur
12594364	1	Rondelle de moyeu de poulie de vilebrequin	12552129	1	Pignon-arbre à cames
12562818	1	Ens. couvercle avant du moteur	14088783	1	Chaîne-distribution de l'arbre à cames
10228655	1	Ens joints, huile vilebrequin Av	12496820	1	Groupe de tubulure, d'admission
10213294	8	Bague, couvercle avant du moteur	19157986	8	Bougie d'allumage
14088784	1	Pignon, vilebrequin			
12551154	1	Ens. tube indicateur de niveau d'huile			



Especificaciones de bloque largo base HT383E

Número de parte de especificaciones 19355752

Esta hoja de especificaciones HT383E se debe usar junto con la hoja de especificaciones de bloque corto 383, número de parte GM 19355750.

Gracias por elegir Chevrolet Performance Parts como su fuente de alto desempeño. Chevrolet Performance Parts está comprometido a proporcionar tecnología de desempeño comprobada e innovadora que en realidad... sea más que sólo potencia. Chevrolet Performance Parts están diseñadas, desarrolladas y probadas para exceder sus expectativas de ajuste y función. Por favor consulte nuestro catálogo respecto al Centro Autorizado de Chevrolet Performance Parts más cercano a usted o visite nuestra página en Internet www.chevroletperformance.com.

Esta publicación brinda información general sobre los componentes y procedimientos que pudieran ser útiles al instalar o dar servicio a un motor HT383E. Por favor lea esta publicación completa antes de comenzar el trabajo. Además, por favor verifique que todos los componentes indicados en la sección de Contenidos de paquete a continuación se envíaran en el juego.

La siguiente información se divide en las siguientes secciones: contenido del paquete, información de componente, especificaciones de motor HT383E, partes adicionales que puede necesitar comprar, especificaciones de apriete, y una lista de partes de servicio.

El motor HT383E incorpora tecnología moderna en un paquete que se puede instalar en aplicaciones donde se usaba originalmente un motor V-8 de bloque pequeño Chevrolet de 265-400ci. Este motor completo se ensambla utilizando componentes nuevos de primera calidad. Debido a la amplia variedad de vehículos en los que se puede instalar el motor HT383E, algunos procedimientos y recomendaciones pueden no aplicar a aplicaciones específicas.

El motor HT383E consiste en un bloque de motor de hierro fundido, ensambles de culata de cilindro de hierro fundido, cigüeñal de acero forjado, pistones hipereutécticos, bielas de acero forjado, y árbol de levas de desempeño.

El motor HT383E está fabricado en herramientas de producción actuales; en consecuencia puede encontrar diferencias entre el ensamble de motor de HT383E y versiones previas del V-8 de bloque pequeño. En general, elementos tales como los montajes de motor, transmisiones auxiliares, múltiples de escape, etc. se puede transferir a un HT383E cuando esté instalado en un vehículo equipado originalmente con un motor V-8 de bloque pequeño. Sin embargo, como se observa en las siguientes secciones, puede haber diferencias menores entre un motor HT383E y un motor V-8 de bloque pequeño anterior. Estas diferencias pueden requerir modificaciones o componentes adicionales no incluidos con el motor HT383E. Cuando instale un motor HT383E en un vehículo no equipado originalmente con un V-8 de bloque pequeño, puede ser necesario adaptar o fabricar varios componentes para los sistemas de enfriamiento, combustible, eléctrico y de escape.

No se pretende que estas especificaciones reemplacen las prácticas de servicio completas y detalladas explicadas en los manuales de servicio de Chevrolet.

Para información sobre cobertura de la garantía, por favor póngase en contacto con su concesionario local de Chevrolet Performance Parts.



Observe todas las precauciones de seguridad y advertencias de los manuales de servicio durante la instalación de un motor HT383E en cualquier vehículo. Utilice protección para los ojos y ropa de protección adecuada. Cuando trabaje debajo o alrededor del vehículo, apóyelo firmemente con soportes de gato. Sólo use las herramientas adecuadas. Tenga mucha precaución cuando trabaje con líquidos y materiales inflamables, corrosivos y peligrosos. Algunos procedimientos requieren equipo y habilidades especiales. Si no tiene la capacitación, experiencia, y herramientas apropiadas para realizar cualquier parte de esta conversión con seguridad, este trabajo debe ser realizado por un profesional.

Información legal y sobre emisiones

Esta publicación ha sido diseñada para proporcionar información acerca del motor HT383E y componentes relacionados. Este manual también describe los procedimientos y modificaciones que pueden ser útiles durante la instalación de un motor HT383E. No está diseñada para sustituir a los exhaustivos manuales de servicio y catálogos de partes que cubren los motores y componentes Chevrolet. Más bien, está diseñada para brindar información complementaria en áreas de interés para los entusiastas del "hágalo usted mismo" y los mecánicos.

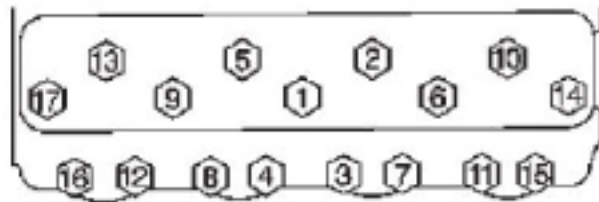
Chevrolet, Chevy, el Emblema de Corbatín Chevrolet, General Motors, y GM son marcas comerciales registradas de General Motors Company.

Contenido del paquete:

<u>Partida</u>	<u>Descripción</u>	<u>Cantidad</u>	<u>Número de parte GM</u>
1	Conjunto del motor	1	19355671
2	Juego de empaque de múltiple de admisión	1	89017465
3	Distribuidor	1	94672691
4	Juego de cable de bujía	1	12192364
5	Juego de empaque de adaptador de aceite (sólo 4WD)	1	88893990
6	Hoja de Instrucciones	1	19355752
7	Hoja de Instrucciones	1	19355750

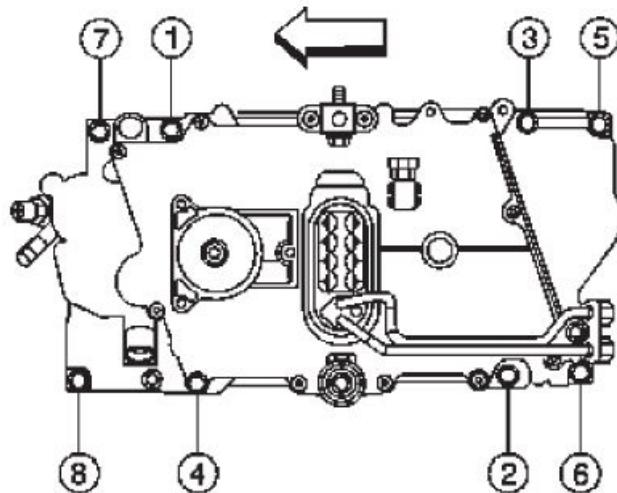
Especificaciones de apriete de motor HT383E:

Perno de retenedor de árbol de levas	106 pulg. lb. / 12 Nm (Loctite azul)
Perno de corona dentada de árbol de levas	22 pies lb. / 30 Nm (Loctite azul)
Perno de biela	45 pies lb. / 61 Nm (aceite de peso 30)
Perno de balanceador de cigüeñal.....	63 pies lb. / 85 Nm (Loctite azul)
Polea de balanceador de cigüeñal	35 pies lb. / 47 Nm (Loctite azul)
Perno prisionero de cojinete de cigüeñal (interno).....	70 pies lb. / 95 Nm (aceite de peso 30)
Perno prisionero de cojinete de cigüeñal (externo).....	65 pies lb. / 88 Nm (aceite de peso 30)
Tuerca/perno de alojamiento de sello de aceite trasero de cigüeñal.....	11 pies lb. / 15 Nm (aceite de peso 30)
Perno de culata de cilindro (en secuencia). Primer pase.....	25 pies lb. / 34 Nm (Sellador de tubo de teflón)
Segundo pase.....	40 pies lb. / 54 Nm
Pase final	65 pies lb. / 88 Nm



Perno de distribuidor	25 pies lb. / 34 Nm (ninguno)
Tapones de galería de aceite de bloque de motor	
1/8" NPT/hierro fundido.....	15 pies lb. / 20 Nm (Sellador de tubo de teflón)
1/4" NPT/hierro fundido.....	20 pies lb. / 27 Nm (Sellador de tubo de teflón)
3/8" NPT/aluminio	20 pies lb. / 27 Nm (Sellador de tubo de teflón)
1/2" NPT/aluminio	25 pies lb. / 34 Nm (Sellador de tubo de teflón)
Perno de cubierta delantera de motor.....	97 pulg. lb. / 11 Nm (Loctite azul)
Perno de volante de inercia.....	65-70 pies lb. / 88-95 Nm (Loctite azul)
Cubierta de bomba de combustible	
Perno de 1/4"	97 pulg.lb. / 11 Nm (Loctite azul)
Perno de 3/8"	30 pies lb. / 40 Nm (Loctite azul)

Perno de adaptador de filtro de aceite	18 pies lb. / 24 Nm (Loctite azul)
Perno de tubo de indicador de nivel de aceite	106 pulg. lb. / 12 Nm (Loctite azul)
Ensamble de cárter de aceite	
Tuerca/perno de esquina.....	15 pies lb. / 20 Nm (Loctite azul)
Perno de riel lateral.....	97 pulg. lb. / 11 Nm
Tapón de drenaje de cárter de aceite	15 pies lb. / 20 Nm (aceite de peso 30)
Perno de bomba de aceite a tapa de cojinete de cigüeñal trasero	66 pies lb. / 90 Nm (aceite de peso 30)
Perno de cubierta de bomba de aceite.....	80 pulg. lb. / 9 Nm (Loctite azul)
Perno de brazo de balancín	50 pies lb. / 68 Nm (Loctite azul)
Perno de cubierta de estribo	106 pulg. lb. / 12 Nm (aceite de peso 30)
Bujía	15 pies lb. / 20 Nm (aceite de peso 30)
Perno de motor de arranque	35 pies lb. / 48 Nm (Loctite azul)
Perno de alojamiento de termostato.....	25 pies lb. / 34 Nm (Loctite azul)
Perno de retenedor de guía de elevador de válvula	18 pies lb. / 24 Nm (Loctite azul)
Perno de bomba de agua	30 pies lb. / 40 Nm (aceite de peso 30)
Tuerca de charola de efecto de viento	30 pies lb. / 40 Nm (aceite de peso 30)
Pernos de múltiple de admisión (vea la secuencia a continuación)	
Primer apriete.....	3 N·m (27 lbs pulg).
Segundo apriete.....	12 N·m (106 lbs pulg).
Apriete final	15 N·m (11 lbs pie).



Información sobre los componentes:**Bloque**

El bloque HT383E es un diseño de 1986 y posterior (sello principal trasero de 1 pieza). El bloque está barrenado y después la placa de la cubierta rectificada a un tamaño terminado de 4.005". Las características incluyen 4 principales intermedios, con espacios para un cigüeñal de pistones de 3.80", y maquinado para un rodillo hidráulico o elevadores de válvula hidráulica planos.

Cualquier motor de bloque pequeño, sin importar el año, que use culatas Vortec, requerirá una línea de derivación de refrigerante externa desde el múltiple de admisión al niple de la manguera de 5/8" sobre la bomba de agua (lado del pasajero). El enrutamiento sugerido es desde el cubo de 3/8 NPSF sobre el múltiple de admisión a la bomba de agua.

Cigüeñal

El motor HT383E viene con un cigüeñal forjado número de parte 12489436. Las características del cigüeñal se describen a continuación:

- Carrera de 3.800"
- Balanceado externamente
- Muñones principales de 2.45"/muñones de varilla de 2.10"
- Radio sobre muñones principales y de varilla
- Principal trasero de estilo de una pieza
- Pasadores de manivela número 1 y 4 huecos
- Varilla y orificio de aceite principal biselado
- Círculo de perno de brida de manivela de 3.000"
- Aleación de acero 4340, tratada con nitrilo

Bielas

La biela de acero forjado con la línea central del orificio del pasador de la manivela a la línea central del orificio del pasador del pistón es de 5.700". Se maquinó para librar los árboles de levas en la mayoría de las aplicaciones de carrera de bloque pequeño.

Cojinetes de motor

Los cojinetes principales del motor, número de parte 12499102, tienen un diseño de ranura de 3/4 que mantiene el área de superficie completa en la porción más cargada del cojinete principal inferior, mientras permite el flujo de aceite mejorado al cojinete de la varilla. Los cojinetes principales #1-4 están fabricados a partir de una aleación H-14 (cuatro metales) y tienen respaldo de acero endurecido hecho de acero SAE 1020. El cojinete de brida #5 está fabricado a partir de una aleación H-24 (tres metales) y tiene respaldo de acero endurecido hecho de acero SAE 1008-1010.

Los cojinetes de varilla, número de parte 17800761, presentan bisel completo en un lado para acomodar el radio del muñón del cigüeñal. Los cojinetes de varilla están fabricados a partir de una aleación H-14 (cuatro metales) y tienen respaldo de acero endurecido hecho de acero SAE 1020.

Pistones

Nuevos pistones de parte superior plana hipereutéticos de alto desempeño que presentan un recubrimiento de faldón especial diseñado para operar con un pistón para un claro de pared de cilindro de .0010"-.0015" incluyendo el recubrimiento. Estos pistones se diseñaron para aprovechar al máximo las placas de la cubierta y el bloque de motor rectificado con precisión. También presentan un pasador de pistón presionado.

Bomba de agua

El motor HT383E viene con una bomba de agua de hierro fundido de estilo de pata larga.

Sensor de posición del cigüeñal (CKP)

El motor HT383E incluye un sensor de posición de cigüeñal y la rueda objetivo de cigüeñal detrás de la cubierta delantera. La posición de montaje del sensor de posición de cigüeñal (CKP) está ubicada en la cubierta del motor delantero y es perpendicular a la rueda objetivo del cigüeñal. El entrehierro entre el sensor y la rueda está preestablecido y no es ajustable. La rueda objetivo tiene 4 ranuras a una distancia de 60 grados entre sí y se codifica al cigüeñal. Conforme la rueda objetivo gira, las ranuras que pasan por el sensor crean un cambio en el campo magnético del sensor que resulta en un pulso de voltaje inducido. Una revolución del cigüeñal resulta en cuatro pulsos (señal 4x). En base a estos pulsos, el VCM puede determinar la posición del cigüeñal y la velocidad del motor. El VCM entonces activa el inyector de combustible y proporciona una chispa al distribuidor.

Distribuidor

El motor HT383E incluye un nuevo distribuidor de equipo original (OE). El distribuidor es en realidad un ensamble que contiene el sensor de posición del árbol de levas (CMP), la tapa, el rotor, y el eje. El distribuidor está ranurado por un engrane helicoidal al árbol de levas y gira proporcionando una chispa a cada cable de bujía. Cuando dé servicio al distribuidor, es crítico asegurar el sellado adecuado de la tapa al cuerpo del distribuidor y la instalación correcta al árbol de levas. Si el distribuidor se instala un diente fuera en relación al árbol de levas, se establece el DTC P1345 en el VCM. La posición del distribuidor es importante para permitir que el VCM determine qué cilindro está en la posición de encendido si ocurre una falla de encendido. La posición del distribuidor no tiene efecto en la sincronización de la ignición. Toda la sincronización de ignición es determinada por el VCM utilizando el sensor de posición de cigüeñal (CKP).

Precaución

Este ensamble de motor necesita llenarse con aceite y cebarse. Debe agregar el aceite especificado (vea las instrucciones de arranque) a su nuevo motor. Revise el nivel de aceite del motor en la varilla de medición y agregue de manera acorde.

Procedimientos de arranque y de asentamiento.

1. Después de instalar el motor, asegúrese de que el cárter se haya llenado con el aceite para motor 10w30 (no sintético) hasta el nivel de llenado de aceite recomendado en la varilla de medición. Además verifique y rellene conforme se requiera cualquier otro fluido necesario tal como refrigerante, líquido de dirección hidráulica, etc.
2. El motor se debe cebar con aceite antes de arrancar. Siga las instrucciones incluidas con la herramienta. Para cebar el motor, primero retire el distribuidor para permitir el acceso al eje de impulso de la bomba de aceite. Observe la posición del distribuidor antes de la desinstalación. Instale la herramienta de cebado de aceite, número de parte 141-955 a partir de nuestro socio autorizado factoryperformanceparts.com. Con un motor de taladro de 1/2", gire la herramienta de cebado de aceite de motor durante tres minutos. Mientras está cebando el motor, pida que alguien más gire el cigüeñal en sentido contrario a las manecillas del reloj para suministrar aceite a través del motor y a todas las superficies de cojinete antes que se arranque inicialmente el motor. Ésta es la manera segura de que llegue el aceite a los cojinetes antes de arrancar el motor por primera vez. Además, cebe el motor si permanece asentado por periodo extendidos de tiempo. Instale el distribuidor como sigue: (1) Localice el centro muerto superior (TDC) del cilindro #1. (2) Gire el motor 12 grados antes del centro muerto superior (BTDC). (3) Alinee el rotor con la terminal del cilindro #1 en el distribuidor.

Después que el motor se haya instalado en el vehículo, vuelva a verificar el nivel de aceite y agregue aceite conforme se requiera. También es una buena práctica volver a verificar la compensación de CMP después de la desinstalación y reinstalación del distribuidor. Vea el paso 4 o las especificaciones del motor respecto a la información del distribuidor correcto.

3. La seguridad primero. Si el vehículo está en el suelo, asegúrese de poner el freno de emergencia y de que las ruedas y la transmisión estén bloqueadas. Verifique que todo esté instalado correctamente y que no falte nada.
4. La sincronización de ignición no es ajustable en este motor. El interruptor de alto voltaje (distribuidor) se debe instalar correctamente para la compensación de retardo de posición de árbol de levas (CMP) adecuada o la luz de servicio al motor pronto se iluminará y se establecerá el DTC P1345 en el módulo de control del tren motriz (consulte la información de servicio GM respecto a detalles).
5. Cuando sea posible, siempre debe permitir que el motor se caliente antes de empezar a conducir. Es una buena práctica dejar que la temperatura del cárter del aceite y del agua llegue a 180°F antes de levantar cargas pesadas o de acelerar a fondo.
6. Una vez que el motor esté caliente, verifique la compensación de retardo de posición de árbol de levas (CMP) correcta con una herramienta de exploración.
7. El motor se debe conducir con diversas cargas y en diferentes condiciones las primeras 30 millas o una hora sin acelerador completamente abierto (WOT) o sin aceleraciones sostenidas a RPM altas.
8. Acelere cinco o seis veces a la mitad (50%) hasta unas 4,000 RPM y regrese a marcha en vacío (0% aceleración) con la velocidad puesta.
9. Acelere dos o tres veces a fondo (100% acelerador completamente abierto) hasta unas 4,000 RPM y regrese a marcha en vacío (0% aceleración) con la velocidad puesta.
10. Cambie el aceite y el filtro. Reemplace con aceite de motor 10w30 (no sintético) y un filtro de aceite AC Delco PF25. Revise si el aceite o el filtro tiene partículas extrañas para asegurar que el motor funcione correctamente.
11. Conduzca las siguientes 500 millas bajo condiciones normales o 12 a 15 horas. No opere el motor a su capacidad de velocidad máxima. De igual manera, no exponga el motor a periodos largos de carga pesada.
12. Cambie el aceite y el filtro. Nuevamente, revise si el aceite y filtro de aceite tienen partículas extrañas para asegurar que el motor funcione correctamente.
13. No use aceite sintético para asentamiento. Será adecuado usar aceite de motor sintético después del segundo cambio de aceite recomendado y acumulación de kilometraje. En regiones más frías, se puede requerir un aceite de menor viscosidad para mejores características de flujo.



Especificaciones de motor HT383E:

Desplazamiento:	383 pulgadas cúbicas
Diámetro x Carrera:	4.005 x 3.80 pulgadas
Compresión	9.1:1 nominal
Bloque:.....	Hierro fundido, principal intermedio de cuatro pernos
Culata de cilindro:	Hierro fundido Vortec
Diámetro de válvula (Admisión/Escape):	1.94"/1.50"
Volumen de la cámara:	64cc
Cigüeñal:.....	Acero forjado 4340, sello trasero de 1 pieza
Bielas:	5.7" forjado, acero, pernos de 3/8"
Pistones:	Hipereutéticos, aleación de aluminio 244-T5
Anillos:	Molibdeno de plasma
Árbol de levas:	Levantador hidráulico del rodillo
Elevación:431" admisión, .451" escape
Duración:	196° admisión, 206° escape @ .050" de elevación del levantador
Línea de centro:.....	108° ATDC admisión, 116° BTDC escape
Relación del brazo balancín:.....	1.5:1
Cadena de sincronización:.....	Diseño de rodillo sencillo de 8 mm
Cárter de aceite:	5 cuartos (con filtro nuevo)
Presión de aceite (Normal):	40 psi @ 2000 RPM
Aceite recomendado:	10W30 sintético (después de asentamiento)
Filtro de aceite:	Número de parte AC Delco PF25 o PF52 (4WD)
Ajuste de válvula:.....	1/2 de vuelta hacia abajo desde ajuste a cero
Combustible:.....	Premium sin plomo - 93 (R+M/2)
Velocidad máxima del motor:.....	5500 RPM
Bujías:.....	R44LTS
Distancia entre bujías040"
Sincronización de chispa:	No ajustable (sensor de cigüeñal)
Orden de encendido:	1-8-4-3-6-5-7-2

La información puede variar según la aplicación. Todas las especificaciones enumeradas están basadas en la información sobre la última producción disponible al momento de la impresión.

Partes adicionales que se pueden necesitar:**Volante de inercia / Placa flexible:**

Como todos los motores V-8 de bloque pequeño producidos desde 1986, el motor HT383E tiene un patrón de perno de brida de volante de inercia de 3.00" de diámetro. Los motores V-8 de bloque pequeño producidos desde 1958 hasta 1985 tenían un patrón de perno de brida de volante de inercia de 3.58". Este cambio en el diámetro del círculo de perno se hizo para acomodar un sello principal trasero de una pieza resistente a fugas.

Este motor HT383E incluye una placa flexible de 12 3/4" de diámetro, número de parte 14088765. Use el volante de inercia, número de parte 14088650, con transmisiones manuales. Además, si usa una transmisión manual, se requerirán seis pernos, número de parte 12337973.

Cojinete piloto:

Debe instalar un cojinete piloto en la parte trasera del cigüeñal si el motor se va a usar con una transmisión manual. El cojinete piloto alinea el eje de entrada de la transmisión con la línea central del cigüeñal. Un cojinete piloto gastado o mal alineado puede causar problemas con los cambios y un desgaste rápido del embrague. Se recomienda un cojinete piloto de rodillo, número de parte 14061685 para este motor. Este cojinete de servicio pesado agrega un margen adicional de confiabilidad a un tren motriz de alto desempeño.

Motor de arranque:

Este motor HT383E no incluye un motor de arranque. El motor de arranque se debe empatar al diámetro del volante de inercia o placa flexible cuando se instale un motor HT383E. Los volantes de inercia de diámetro pequeño tienen 12-3/4" en diámetro y tienen una corona dentada de motor de arranque con 153 dientes. Los volantes de inercia de diámetro grande tienen 14" en diámetro y tienen 168 dientes en la corona dentada del motor de arranque. Esta diferencia en diámetros de volante de inercia requiere dos alojamientos de motor de arranque diferentes. Las puntas de motor de arranque usadas con el volante de inercia de 14" de diámetro tienen dos orificios de perno de compensación; los motores de arranque usados con volantes de inercia de 12-3/4" de diámetro tienen orificios de perno que son rectos y cruzan entre sí.

Nota: Los motores de arranque Chevrolet usan pernos de montaje con reborde especial que registran en motor de arranque sobre el bloque.

Los siguientes motores de arranque y hardware se pueden usar con el motor HT383:

10496870	Servicio pesado, motor de arranque refabricado para volante de inercia/placa flexible de 12-3/4" de diámetro
1876552	Servicio pesado, motor de arranque para volante de inercia/placa flexible de 14" de diámetro
14097278	Perno, montaje de motor de arranque, largo, para motor de arranque de servicio pesado, 3/8"-16 x 4.65" de largo
14097279	Perno, montaje de motor de arranque, largo, para motor de arranque de servicio pesado, 3/8"-16 x 1.85" de largo
19302919	Motor de arranque de reducción de velocidad de imán permanente (PMGR) para volante de inercia/placa flexible de 14" de diámetro (10 lbs.)
14037733	Perno, montaje de motor de arranque, interno para motor de arranque PMGR de 12-3/4"

Cubiertas de estribo:

Este motor HT383E viene equipado con cubiertas de estribo de sujeción central de acero estampado negro. Chevrolet Performance ofrece varias opciones de cubierta de válvula si desea mejorar su motor. Vea el catálogo o visite chevroletperformance.com respecto a mayor información.

Pasacables de cubierta de estribo:

El motor HT383E no viene con pasacables de cubierta de estribo. Se recomienda usar el pasacables número de parte 3989350 con estas cubiertas de estribo.



1. Instale la válvula PCV, número de parte 6487779, dentro del pasacables en la cubierta del estribo en el lado izquierdo del motor.
2. Conecte un extremo de la manguera PCV a la válvula PCV. Sujete el otro extremo de la manguera conforme al enrutamiento de la manguera de vacío como se muestra en la etiqueta debajo del cofre (o consulte la información de servicio Chevrolet)

Lista de partes de servicio HT383E:

# de parte	Cantidad	Nombre	# de parte	Cantidad	Nombre
19355673	1	Ensamble de motor 383 Cid, Parcial	12551144	1	Ensamble de indicador-Nivel de aceite
88962516	1	Ensamble de bloque, motor	12558060	2	Ensamble de culata, cilindro (con válvula)
12499103	1	Juego de pistón, con pasador (.005" O/S) juego de 8	12529093	2	Culata, Cilindro (Maquinado)
12499107	1	Juego de anillo, Pisón (0.005" O/S) juego de 8	10241743	8	Válvula, Admisión
19355718	8	Ensamble de biela, conexión	12550909	8	Válvula, Escape
12489436	1	Cigüeñal, Acero forjado 3.800	10212811	16	Resorte, Válvula
12499102	1	Juego de cojinete, principal de cigüeñal (ESTÁNDAR)	3814692	AR	Perno, bola de brazo de balancín de válvula (.003" OS)
17800761	1	Juego de cojinete, Biela (ESTÁNDAR)	3815892	AR	Perno, bola de brazo de balancín de válvula (.013" OS)
14088764	6	Perno/tornillo-Volante de inercia	24503856	32	Cuña, vástago de válvula
12555771	1	Empaque-Alojamiento de sello de aceite trasero de cigüeñal	10212810	8	Sello, Aceite de vástago de válvula de admisión
10108676	1	Empaque-Cárter de aceite	12564852	8	Sello, Aceite de vástago de válvula de escape
12561389	3	Perno-Tapa de cojinete de cigüeñal	10241744	16	Tapa, Resorte de válvula
14101058	1	Perno-Retenedor de sello de aceite trasero de cigüeñal	10168527	16	Perno/Tornillo-Culata de cilindro (corto)
14088556	1	Alojamiento, Sello de aceite trasero de cigüeñal	10168526	4	Perno/Tornillo-Culata de cilindro (mediano)
106751	2	Cuña-Cigüeñal	10168525	14	Perno/Tornillo-Culata de cilindro (largo)
12554816	1	Deflector-Aceite de cigüeñal	12557236	2	Empaque-Culata de cilindro
14088765	1	Ensamble de volante de inercia	10046089	2	Empaque-Cubierta de brazo de balancín de válvula
12498008	1	Amortiguador, torsión	89017465	1	Juego de empaque-Múltiple de admisión
12557558	1	Cárter, Aceite	88894341	1	Juego de bomba, agua
12553058	1	Refuerzo-Cárter de aceite	10241740	16	Ensamble de biela-Empuje de válvula
12553059	1	Refuerzo-Cárter de aceite	10089648	16	Juego de brazo, balancín de válvula (con bola)
93442037	1	Ensamble de bomba-Aceite	14097395	1	Ensamble de árbol de levas
12550042	1	Ensamble de pantalla-Bomba de aceite	17120735	16	Elevador, válvula
3998287	1	Eje, Impulso de bomba de aceite	12550002	8	Guía-Elevador de válvula
3764554	1	Retenedor-Eje de impulso de bomba de aceite	12555269	2	Ensamble de cubierta-Brazo de balancín de válvula
12594364	1	Arandela-Cubo de polea de cigüeñal	12552129	1	Rueda dentada-Árbol de levas
12562818	1	Ensamble de cubierta-Frente de motor	14088783	1	Cadena-Sincronización de árbol de levas
10228655	1	Ensamble de sello, aceite delantero de cigüeñal	12496820	1	Paquete de múltiple, admisión
10213294	8	Pasacables, cubierta delantera de motor	19157986	8	Bujía
14088784	1	Rueda dentada-Cigüeñal			
12551154	1	Ensamble de tubo-Indicador de nivel de aceite			