



RAMJET 350 Engine 19355815 Specifications

Specifications Part Number 19355813

Thank you for choosing Chevrolet Performance as your high performance source. Chevrolet Performance is committed to providing proven, innovative performance technology that is truly... more than just power. Chevrolet Performance parts are engineered, developed and tested to exceed your expectations for fit and function. Please refer to our catalog for the Chevrolet Performance Authorized Center nearest you or visit our website at www.chevroletperformance.com.

This publication provides general information on components and procedures that may be useful when installing or servicing a RAMJET 350 engine. Please read this entire publication before starting work. Also, please verify that all of the components listed below are in fact included in the kit.

The information below is divided into the following sections: package contents, component information, RAMJET 350 engine specifications, installation instructions for the components included in this kit, additional parts that you may need to purchase, torque specifications, and a service parts list.

The RAMJET 350 engine is based on the Chevrolet electronic, port fuel injection marine engine. It incorporates modern technology in a package that can be installed in applications where 265-400ci small block Chevrolet V8s were originally used. The RAMJET 350 engine includes a fully assembled block and heads, oil pan, torsional damper, water pump, intake manifold, fully calibrated Engine Control Module (ECM), wiring harness, all the necessary sensors, and distributor. This engine is assembled using brand new, premium quality components.

The RAMJET operating system is a very advanced fuel injection control system that uses a minimum amount of inputs to the engine control module (ECM) for ease of installation. Because of this, there are certain operating conditions that should be understood to ensure proper operation.

For example, due to the variety of applications and uses, this system has no provisions for vehicle speed input, transmission range input (automatic) or clutch pedal input (manual transmission) to the ECM. If the Throttle Position Sensor (TPS) is reading a closed throttle with engine running, the engine controller has no way of determining if it is being driven down the road or idling in Park or Neutral. If the driver operates the engine in a way that pulls the engine speed below the desired idle, the normal reaction of the control module is try to keep the engine speed above the minimum RPM by adjusting the Idle Air Control (IAC) and ignition timing.

If the driver continues to operate the vehicle in this "forced low speed" manner, the IAC and spark may continue to climb until it is at maximum. If the load is suddenly taken away (clutch pedal depressed, shifter moved to neutral), the engine speed will be above desired idle. At that point the engine speed will begin to decrease until it gets back down to desired idle speed. To avoid driving under these conditions, shift the transmission to the next lower gear to prevent "lugging" the engine below the desired idle speed.

Operating the RAMJET engine at very low engine RPMs and low vacuum conditions is also not desirable from a fuel economy standpoint. The RAMJET electronic fuel injection system is a speed and air density system ("speed density" fuel management).

Sensors provide the ECM with the basic information for the fuel management portion of its operation. Signals to the ECM establish the engine speed and air density factors. The engine speed signal comes from the Ignition Control (IC) module. The ECM uses this information to determine the "speed" or RPM factor for fuel and spark management.

The Manifold Absolute Pressure (MAP) sensor contributes the density factor. As intake manifold pressure increases, the vacuum decreases. The air density in the intake manifold also increases as additional fuel is needed. The MAP sensor sends this pressure information to the ECM, and the ECM increases the amount of fuel injected, by increasing the injector pulse width. As manifold pressure decreases, the vacuum increases, and the amount of fuel is decreased. These two inputs, MAP and RPM, are the major determinants of the air/fuel mixture delivered by the fuel injection system. The remaining sensors and switches provide electrical inputs to the ECM, which are used for modification of the air/fuel mixture, as well as other ECM control functions, such as idle control.



This package is designed to provide you a completely calibrated fuel injection engine. The engine you receive will provide a number of benefits over a carbureted engine. These benefits include improved driveability, better fuel economy, and increased performance throughout the entire RPM range. These benefits are the result of precise fuel and ignition control across the entire RPM range.

The ECM is the control center of the fuel injection system. It controls the fuel metering system, ignition timing, idle speed, and on-board diagnostics for engine functions. It constantly looks at the information from various sensors and controls the systems that affect engine performance. The ECM also performs the diagnostic function of the system. It can recognize operational problems and store diagnostic trouble codes, which identify the problem areas to aid the technician in making repairs. Refer to the small block RAMJET service manual, part number 88962723, included in this kit, for more information on using the diagnostic function of the ECM.

The ECM controls spark advance for all driving conditions. It monitors input signals from the following components as part of its ignition control function to determine the required ignition timing:

- Ignition Control (IC) module
- Engine Coolant Temperature (ECT) sensor
- Manifold Absolute Pressure (MAP) sensor
- Throttle Position (TP) sensor
- Knock Sensor (KS)

The function of the fuel metering system is to deliver the correct amount of fuel to the engine under all operating conditions. Fuel is delivered to the engine by individual fuel injectors mounted in the intake manifold, near each intake port. The ECM looks at inputs from several sensors to determine how much fuel to supply to the engine. The fuel is delivered under one of several conditions, called "modes". These modes include starting mode, clear flood mode, run mode, acceleration mode, fuel cutoff mode, and RPM reduction mode. Refer to the service manual for more information on the ECM and the characteristics of each mode.

The RAMJET 350 engine is manufactured on current production tooling; consequently you may encounter dissimilarities between the RAMJET 350 engine assembly and previous versions of the small block V8. In general, items such as motor mounts, accessory drives, exhaust manifolds, etc. can be transferred to a RAMJET 350 engine when installed in a vehicle originally equipped with a small block V8 engine. However, as noted in the following sections, there may be significant differences in the flywheel bolt pattern, water pump, torsional damper, etc., between a RAMJET 350 engine and an older small block V8 engine. These differences may require modifications or additional components not included with the RAMJET 350 engine. When installing a RAMJET 350 engine in a vehicle not originally equipped with a small block V8, it may be necessary to adapt or fabricate various components for the cooling, fuel, electrical, and exhaust systems. Due to the wide variety of vehicles in which a RAMJET 350 engine can be installed, some procedures and recommendations may not apply to specific applications.

These specifications are intended as a supplement to the 1998 Chevrolet C/K Truck service manuals, as servicing the 1998 C/K Truck engine is very similar to the RAMJET 350 engine. It is not the intent of these specifications to replace the comprehensive and detailed service practices explained in the factory service manuals.

Observe all safety precautions and warnings in the service manuals when installing a RAMJET 350 engine in any vehicle. Wear eye protection and appropriate protective clothing. Support the vehicle securely with jack stands when working under or around it. Use only the proper tools. Exercise extreme caution when working with flammable, corrosive, and hazardous liquids and materials. Some procedures require special equipment and skills. If you do not have the appropriate training, expertise, and tools to perform any part of this conversion safely, this work should be done by a professional.



Legal and Emissions Information

This publication is intended to provide information about the RAMJET 350 engine and related components. This manual also describes procedures and modifications that may be useful during the installation of a RAMJET 350 engine. It is not intended to replace the comprehensive service manuals and parts catalogs which cover Chevrolet engines and components. Rather, it is designed to provide supplemental information in areas of interest to "do-it-yourself" enthusiasts and mechanics.

This publication pertains to engines and vehicles which are used off the public highways except where specifically noted otherwise. Federal law restricts the removal of any part of a federally required emission control system on motor vehicles. Further, many states have enacted laws which prohibit tampering with or modifying any required emission or noise control system. Vehicles which are not operated on public highways are generally exempt from most regulations, as are some special interest and pre-emission vehicles. The reader is strongly urged to check all applicable local and state laws.

Many of the parts described or listed in this manual are merchandised for off-highway application only, and are tagged with the "Special Parts Notice" reproduced here:

Special Parts Notice

This part has been specifically designed for Off-Highway application only. Since the installation of this part may either impair your vehicle's emission control performance or be uncertified under current Motor Vehicle Safety Standards, it should not be installed in a vehicle used on any street or highway. Additionally, any such application could adversely affect the warranty coverage of such an on-street or highway vehicle.

The information contained in this publication is presented without any warranty. All the risk for its use is entirely assumed by the user. Specific component design, mechanical procedures, and the qualifications of individual readers are beyond the control of the publisher, and therefore the publisher disclaims all liability incurred in connection with the use of the information provided in this publication.

Chevrolet, Chevy, the Chevrolet Bow Tie Emblem, General Motors, and GM are all registered trademarks of the General Motors Company.



Package Contents

<u>Item</u>	<u>Description</u>	<u>Quantity</u>	<u>Part Number</u>
1	Engine Assembly	1	19355814
2	Specifications	1	19355813
3	Small block RAMJET service manual	1	88962723
4	Diagnostic trouble code tool (DTC tool)	1	12489400
5	Ignition coil assembly	1	12598697
6	Ignition coil wire	1	12097982
7	Spark plug wire kit	1	12361051
8	Wiring harness	1	88961967
9	Spark plug	8	5614210

Component Information:

350 RJ Intake Manifold:

This kit comes with a Chevrolet Performance Parts port fuel injection intake manifold designed especially for the RamJet 350 engine. This cast aluminum intake manifold comes with two holes in the rear of the plenum. The hole in the rear face of the plenum is tapped for a 3/8" NPT fitting and should be used for a vacuum port to operate the brake booster. It is in close proximity to the distributor so it may be beneficial to install this fitting after the engine oil is primed and the distributor is installed. The second hole is in the right side of the plenum and is tapped for 1/4" NPT. This hole is used for the vacuum port that supplies vacuum to the fuel pressure regulator. The fuel pressure regulator is mounted on the left rear fuel rail and uses a male -6 AN nipple on the bottom. This is the fuel return line that will be necessary to adapt to your application. The right fuel rail has a 3/8" NPT hole that is used for the fuel inlet. You will need to determine what will be needed to adapt the inlet fitting to your application.

Note: If your are installing this package in a vehicle that was originally equipped with a carburetor or TBI system, the fuel lines will need to be upgraded. The fuel lines must be able to handle the increased pressure required by the fuel injection system. Do not use any barbed fittings or worm clamps to secure the pressurized fuel lines in your fuel system. Also, ensure rubber lines are replaced with flexible hose of sufficient strength (i.e. stainless overbraid and AN style fittings for example). Finally, use caution in routing fuel lines to ensure that the lines are not located too close to the exhaust system and are protected from road debris or obstructions.

Water Pump:

The RAMJET 350 engine includes a standard rotation water pump. This is a cast iron, long leg water pump.

Any small block engine, regardless of year, that uses Vortec heads, will require an external coolant bypass line from the intake manifold to the 5/8" hose nipple on the water pump (passenger's side). Suggested routing is from the 3/8 NPSF boss on intake manifold to the water pump.

Ignition System:

This kit includes a distributor ignition system that is connected to the ECM. The ECM monitors the inputs from various engine sensors, computes the desired spark timing, and signals the Ignition Control module in the distributor to adjust timing.

The spark plugs recommended for the RAMJET 350 engine are AC Delco part number MR43LTS.



RAMJET 350 Engine Specifications

Displacement:	350 cubic inches
Bore x Stroke:	4.00 inch x 3.48 inch
Compression	9.4:1 Nominal
Block:	Cast iron, two-bolt main caps
Cylinder Head:	Cast iron, Vortec
Valve Diameter (Intake/Exhaust):	1.94"/1.50"
Chamber Volume:	62cc
Crankshaft:	Cast iron, 1 piece rear seal
Connecting Rods:	Forged, powdered metal, 3/8" bolts
Pistons:	Cast aluminum
Rings:	Top Moly, Second Iron
Camshaft:	Hydraulic foller tappet
Lift:460" intake, .481" exhaust
Duration:	196° intake, 205° exhaust @ .050" tappet lift
Centerline:	104° ATDC intake, 109° BTDC exhaust
Rocker Arm Ratio:	1.5:1, roller tip
Timing Chain:	Single roller design
Oil Pan:	5-quart excluding oil filter
Oil Pressure (Normal):	6 psi @ 1000 RPM
	18 psig @ 2000 RPM
	24 psig @ 4000 RPM
Recommended Oil:	5w30
Oil Filter:	AC Delco part # PF1218
Valve Lash:	3/4 Turn Past 0 Lash
Fuel:	Premium unleaded - 92 (R+M/2)
Maximum Engine Speed:	5600 RPM
Spark Timing:	Initial: 12° Before Top Dead Center
Spark Plugs:	AC Delco part # MR43LTS
Spark Plug Gap	0.040"
Firing Order:	1-8-4-3-6-5-7-2

Information may vary with application. All specifications listed are based on the latest production information available at the time of printing.

Caution: Before the engine is installed in a vehicle, it needs to be filled with oil and primed. Check the engine oil level on the dipstick and add accordingly. To prime the engine, first remove the distributor to allow access to the oil pump drive shaft. Note the position of the distributor before removal. Install an oil priming tool. Using a 1/2" drill motor, rotate the engine oil prime tool clockwise for two to three minutes. While you are priming the engine, have someone else rotate the crankshaft clockwise to supply oil throughout the engine and to all the bearing surfaces before the engine is initially fired. Reinstall the distributor in the same orientation as it was removed. After the engine has been installed in the vehicle, recheck the engine oil level and add oil as required.

Ignition Coil Installation:

The ignition coil will need to be installed. It can be attached to either the rear of the cylinder head, or the firewall of the vehicle, depending on the amount of clearance for your application. Torque the ignition coil bracket bolts to 22 Nm (16 ft.lbs.). Attach the ignition coil wire to the distributor.

ECM and Wiring Harness Installation:

The wiring harness included with the RAMJET 350, will need to be installed. To ease the installation, all of the connectors have been labeled to identify which component each mates with. This harness installation requires a B+ connection and a fused ignition source. A tachometer output lead is also provided. This fuel injection harness is protected additionally by 3 mini fuses in a waterproof connector in the harness. Circuit protection of the B+ feed in the form of a fusible link is advised.

Among the items contained in this kit is an oxygen sensor. The oxygen sensor will monitor the exhaust gas and determine the level of richness or leanness of your engine. It will monitor the aggressive, performance oriented fuel tables in the ECM and trim them ever so slightly in order to optimize performance and driveability. This trimming allows you to operate at a maximum level of efficiency and thereby improve both driveability and fuel usage at the same time. In order to install the oxygen sensor in the exhaust, a weld-in exhaust bung has also been included in this kit. An oxygen sensor and exhaust bung are shown in Figure 1.

Another item in the kit is an intake air temperature sensor. This sensor acts much like a jet change that you might make on a race engine carburetor at the drag strip. Normally you might increase jet size when the temperature rises. This sensor takes the temperature of the inlet air and makes those "jet changes" electronically to the ECM fuel tables in order to optimize power output and get the best fuel mixture for improved performance and economy. An intake air temperature sensor is shown in Figure 2.

Installation of the exhaust bung requires welding. If you do not have the required equipment to install the exhaust bung, a qualified local muffler shop or service garage should be capable of completing this step for you.

Location of Exhaust Bung

Before you begin the installation of the exhaust bung, disconnect the negative battery cable to keep from damaging the ECM or sensors. Carefully inspect the engine and fuel system to ensure there are no fuel leaks in the fuel system. If a leak is found, repair before continuing with the installation.

The oxygen sensor that will be screwed into this bung will function best in the hottest part of the exhaust system. The closer the sensor is to the engine the better. If you have a cast exhaust manifold, locate the bung in the exhaust pipe downstream from the manifold flange — but as close to the flange as possible. If you have headers, install the bung into your collector adapter. For installation into a horizontal exhaust pipe, it is recommended that the sensor be installed with the tip facing downward, pointing to the center of the exhaust pipe. Figure 3 shows the recommended installation angles for a horizontal exhaust pipe. If the selected location for your sensor installation is vertical, there is no recommended installation angle; you will want to ensure the tip of the sensor is pointing to the center of the exhaust pipe. You will also need to be sure that your selected bung location will allow installation and removal of the oxygen sensor. Also, ensure that the sensor and associated wiring will not interfere with other components. Also, verify that the sensor wiring and connectors will not melt due to excessive exhaust heat. Drill a 7/8" hole in the exhaust pipe at your selected location using a hole saw.

The room must be well ventilated and you must ensure that there are no gasoline leaks or gasoline fumes anywhere near the room or area of welding.

Once the bung is installed, let the weld joint completely cool before installing the sensor. It is also recommended that you tap the bung with a 18mm x 1.50 metric tap to eliminate any distortion that may have occurred during the welding process.

FIGURE 1

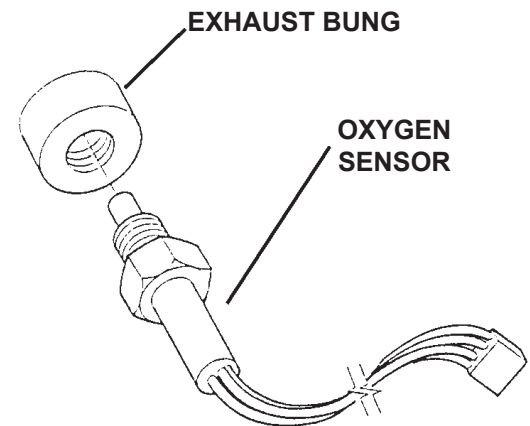


FIGURE 2

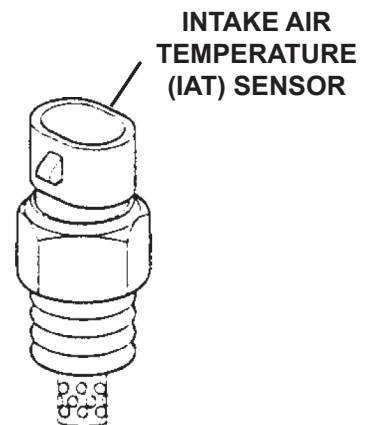
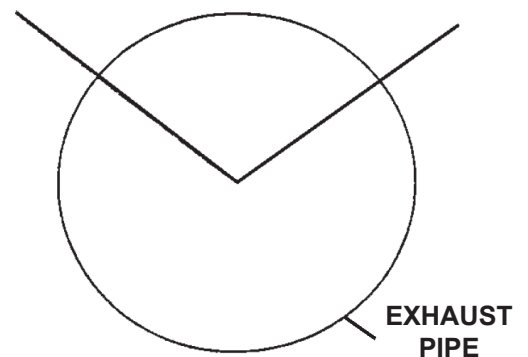


FIGURE 3

RECOMMENDED BUNG INSTALLATION RANGE



Installation of Sensors

Install the oxygen sensor into exhaust bung. A coat of anti-seize on the oxygen sensor's threads will ease removal of the sensor when replacement is necessary. The oxygen sensor should be torqued to 20 ft.lbs.

The intake air temperature (IAT) sensor should be located in the intake air stream. It is desirable to locate this sensor as far from the engine throttle body as possible. The IAT sensor uses thread 1/4 NPT (National Pipe Thread). Determine where you will locate your IAT sensor. The sensor location will vary depending on your filter and intake duct configuration. If you are using a remote air filter with a duct from the filter to the throttle body, you should install the IAT sensor in the duct near the filter. If you are using a filter directly on the throttle body, you should install the IAT sensor in the filter. Installation of the IAT sensor in the intake manifold is not recommended. In the intake manifold the sensor may provide false readings due to the sensor absorbing heat from the engine/intake manifold. If you plan on welding in threads, a pipe nipple from your local hardware may facilitate the installation. Additionally, some "snap-in" intake sensor are available in a number of configurations.

Installation of Harness

You may need to lengthen or shorten the oxygen and IAT sensor wires on the harness. It is recommended that this be done by soldering and sealing your soldered connection with heat shrink. Standard butt connectors are not recommended. NOTE: Do not make any repairs or modifications to the wires attached directly to the Oxygen Sensor.

1. Lay the wiring harness along the left-hand side of the intake manifold with the idle air control valve, throttle position sensor, and engine coolant temperature sensor connectors at the front of the engine.
2. Connect the sensors mentioned above to their mating components.
3. Attach the eight fuel injector connectors.
4. Plug the MAP sensor connector into the MAP sensor, located on the left hand side of the intake manifold plenum.
5. Install the ECM connectors. Your ECM connectors on the harness can be identified by the clear or smoke colored alignment keys - J1 - smoke, J2-clear. The outside of each connector on the ECM is labeled J1 or J2.
6. Install the coil wire assembly, part number 12097982. One end attaches to the top of the coil, the other end to the rear of the distributor.
7. Attach the connectors from the harness to the distributor and the ignition coil.
8. Plug in the fuel pump and ignition relays.
9. Attach the knock sensor connector to the knock sensor. Use care in routing the wiring harness to the connector so that the harness will not be damaged by heat from the exhaust system.
10. Attach the B+ lead to the big terminal at the starter. A fusible link should be added at this connection for added protection.
11. Connect the fuel pump leads. The installer must provide a wiring harness from the fuel pump to the leads provided.
12. Connect the ignition lead to the ignition switch.
13. On your harness you will notice several different grounds. The grounds must be grounded on separate studs on the engine. Failure to use separate ground studs may result in improper engine performance or ECM failure.
14. You will also notice two tachometer outputs from the harness, tach1 is for a standard negative side of the coil driven tach. Tach2 is for digital tachometers; this is a 0-12 V square wave output. Select and connect the proper output for your application.
15. Reconnect your battery cable.



Setting Initial Timing:

In order to change base timing on the system, the ECM has to be entered into the "service mode" using the diagnostic trouble code (DTC) tool, part number 12489400. This can be accomplished by attaching the DTC tool to the data link connector on the wiring harness.

1. Turn the engine's ignition switch to the off position (Engine not running)
2. Place the DTC tool's test switch in the off position and plug the tool into the data link connector on the wiring harness.
3. Start the engine, and place the DTC tool test switch in the on position.

The IC module will then go to base ignition timing. At this time, the base timing can be adjusted by turning the distributor. Using a timing light, set base timing at 12° Before Top Dead Center (BTDC).

Initial Engine Break-in:

After the engine has been installed in your vehicle, the base timing has been set, and a sense check has been performed, i.e. good oil pressure, no fluid leaks, acceptable coolant temperature, etc.

1. The vehicle should then be driven under varying loads and conditions for the first 30 miles, without wide-open throttle or sustained, high RPM accelerations. **NOTE:** The ECM is programmed with a "Green Mode" that limits the maximum RPM during the break-in period. From start up to the end of the first hour the limit is 4000 RPM, for the second hour it is 4500 RPM, and for the third hour it is 5500 RPM.
2. Run five or six medium-throttle accelerations to about 4000 RPM, letting off in gear.
3. Run two or three hard accelerations to about 4000 RPM, letting off in gear.
4. Change the oil and the oil filter, and replace with 5W30 motor oil and a PF1218 ACDelco oil filter. Inspect both the used oil and filter to ensure that the engine is functioning properly.
5. Drive the next 500 miles under "normal" conditions. Do not run the engine at the maximum rated engine speed of 5500 RPM, and do not expose the engine to extended periods of high loads.
6. Change the oil and filter again.

Additional parts that may be needed:

Flywheel / Flexplate:

Like all GEN1 or GEN1E V8 engines produced since 1986, the RAMJET 350 engine has a 3.00" diameter flywheel flange bolt pattern. Small block V8 engines produced from 1955 through 1985 had a 3.58" diameter flywheel flange bolt pattern. This change in bolt circle diameter was made to accommodate a leak-resistant one-piece rear main seal. Due to revisions in the crankshaft design, a RAMJET 350 engine must have a counterweighted flywheel (or flexplate) for proper balance. The RAMJET 350 engine includes a 14" manual transmission flywheel, part number 14088648. If you are installing this engine with an automatic transmission or you want to use a 12 3/4" flywheel, select one of the flywheels or flexplates from the chart below. Use flywheel bolt part number 839756 (6 required) or flexplate bolt part number 3727207 (6 required).

NOTE: When installing this engine with an automatic transmission, the clutch pilot bearing should be removed. This will ensure that no interference exists when a torque converter is installed.

RAMJET 350 Engine Manual Transmission Flywheels

<u>GM Part Number</u>	<u>Outside Diameter</u>	<u>Clutch Diameter</u>	<u>Starter Ring Gear Teeth</u>	<u>Notes</u>
14088648	14"	11.0,11.85	168	For one-piece crank seal
14088646	12-3/4"	10.000"	153	Lightweight nodular iron flywheel, weighs approximately 17 lbs.; for one-piece crank seal
14088650	12-3/4"	10.4"	153	Standard weight flywheel; for one-piece crank seal



RAMJET 350 Engine Automatic Transmission Flexplates

<u>GM Part</u>	<u>Outside</u>	<u>Converter</u>	<u>Starter Ring</u>	
<u>Number</u>	<u>Diameter</u>	<u>Bolt Pattern</u>	<u>Gear Teeth</u>	<u>Notes</u>
14088765	12-3/4"	10.75"	153	For one-piece crank seal
12554824	14"	11.50"	168	Heavy-duty flexplate with increased thickness for one-piece crank seal
14088761	14"	10.75,11.50"	168	For one-piece crank seal

Starter:

The starter must be matched to flywheel (or flexplate) diameter when installing a RAMJET 350 engine assembly. Small diameter flywheels are 12-3/4" in diameter, and have starter ring gears with 153 teeth. Large diameter flywheels are 14" in diameter, and have 168 teeth on the starter ring gear. This difference in flywheel diameters requires two different starter housings. Starter noses used with 14" diameter flywheels have two offset bolt holes; starter used with 12-3/4" diameter flywheels have bolt holes that are straight across from each other. Note: Chevrolet starter motors use special shouldered mounting bolts that register the starter on the block.

The following starters can be used with the RAMJET 350 engine assemblies:

14097278	Bolt, starter mounting, long, for heavy duty starter
14097279	Bolt, starter mounting, short, for heavy duty starter
19302919	Permanent magnet gear reduction (PMGR) starter for 14" diameter flywheel/flexplate (10 lb.)
14037733	Bolt, starter mounting, inner for 12-3/4" PMGR starter
12338064	Bolt, starter mounting, outer for 12-3/4" PMGR starter; also for 14" PMGR starter (2 required)
12361146	Hi torque mini starter for 12-3/4" and 14" diameter flywheel

Oil Pan / Filter / Adapter / Dipstick:

The RAMJET 350 engine includes an oil pan, part number 10242245. This pan was originally design for marine and truck usage and may cause interference problems when installed in certain applications. Check for clearance before installation. A suggested pan is the ZZ5 oil pan part number 12557558 and will require pan gasket 10108676. Additional parts required are two (2) main bearing cap bolts P/N 12561388, and "short" windage tray P/N 12554816. This pan also requires dipstick P/N 12551144 and tube P/N 12551154, as listed below.

The oil dipstick for the RAMJET 350 engine is on the right-hand (passenger) side of the block. Check for clearance when replacing an early-model block with a left-hand dipstick configuration. The RAMJET 350 engine does not come with an oil dipstick. When using the oil pan supplied with the engine, the recommended oil dipstick and oil dipstick tube part numbers are 10190942 and 12552920 respectively. If the ZZ5 oil pan is installed on this engine, the recommended oil dipstick and tube part numbers are 12551144 and 12551154 respectively. This oil dipstick tube bolts to the engine block below the deck surface, and can be used with header-type exhaust systems.

Fuel Pump / Fuel Lines / Fuel Filter:

The RAMJET 350 engine does not include a fuel pump. The fuel system in your application must be capable of supplying a minimum of 35 gallons per hour of fuel. The operating pressure of the fuel pump must be within the range of 43 - 55 psi.

Proper fuel pressure is essential to the correct operation of the RamJet 350. Below are the specifications for expected fuel pressure under various operating conditions.

Idle =	38-40 PSI (262-276 KPA)
Steady Cruise =	40-42 PSI (276-290 KPA)
Wide Open Throttle =	42-44 PSI (290-303 KPA)

An in-tank fuel delivery system from a Chevrolet vehicle is recommended for use with this system. The fuel system from any Chevrolet vehicle originally equipped with a port fuel injection system and a V-8 engine is a possible candidate. Production Chevrolet fuel pumps that would be good candidates include the Vortec truck fuel pump, or an LT1 Camaro/ Firebird fuel pump. Carbureted and Throttle Body Injection fuel delivery systems will not meet the needs of a port fuel injection system. They do not provide enough pressure at the fuel rail.



An in-tank fuel system is recommended for a number of reasons. First, a Chevrolet production in-tank system will ensure that no vapor lock issues arise. Vapor lock is a common problem with in-line fuel pumps. In high ambient temperatures the fuel in the fuel line can vaporize. An in-line fuel pump cannot move this vapor at the levels required by the fuel injection system. As a result, the fuel pressure at the fuel rail drops, and a number of problems arise. These problems include a stumble or sag to a worst case of a stall and no start condition. Using a Chevrolet in-tank fuel system will ensure that this problem does not occur on your vehicle. Second, the in-tank fuel delivery system will have a return line plumbed into the fuel sender unit. This return line is required for proper operation of this system. The fuel regulator, mounted at the fuel rail, maintains the correct fuel pressure being fed to the injectors, based on intake manifold vacuum. In general, the fuel pump will supply fuel at a pressure greater than required at the rail. The regulator then bleeds off this extra fuel to maintain the correct pressure. The fuel that is bled off needs to be carried back to the fuel tank, via the fuel return line. Third, the fuel tanks used with in-tank fuel systems have baffles in them. These baffles ensure that the fuel pump will have fuel available as long as a sufficient amount of fuel is in the tank. The baffles keep all of the fuel from collecting at one side of the tank during hard cornering, or at the rear of the tank during hard accelerations.

If you are installing this package in a vehicle that was originally equipped with a carburetor, the fuel lines will need to be upgraded as well. The lines must be able to handle the increased pressure required by the fuel injection system. Do not use barbed fittings or worm clamps to secure the pressurized fuel lines. Also, ensure that the rubber lines are removed and replaced with fuel lines of sufficient strength, Aeroquip AQP fuel line hose with a stainless overbraid and AN style fittings for example. Finally, use caution in routing the fuel lines to ensure that the lines are not located too close to the exhaust system and are protected from road debris or obstructions.

The fuel filter recommended for use with this system is part number 25171792 (AC #GF626). This filter is a 10-micron filter with 3/8" fittings on each end. The fuel filter should be installed between the fuel tank and the fuel rail, typically located close to the fuel tank.

Headers:

A RAMJET 350 engine should be equipped with a header exhaust system for maximum performance in applications where a non-production exhaust system is legal. All of the calibration development work was done with a header exhaust system installed on our development engines. Installing production style exhaust manifold may increase backpressure and alter the performance of the system. The recommended header configuration is 1-3/4" diameter primary pipes, 32 to 36 inches long, with 3" diameter collectors. Use 2-1/2" diameter tailpipes with a balance tube ("H" pipe) and low restriction mufflers.

350 RAMJET Operating RPM Ranges

Thinking about the intended usage of the vehicle you will be installing your RAMJET engine into will allow you to make good decisions on your total vehicle package. To get the most effective usage from your crate engine, you should attempt to design the rest of the vehicle to complement the effective engine RPM range. Consider the weight, gearing (transmission and axle) of the vehicle, as well as the vehicle speeds and geography (hilly or flat) that you will most likely be driving in the majority of the time.

The RAMJET 350 engine makes peak horsepower at 5100 RPM. A good rule of thumb would be a highway cruising speed that places the engine at an RPM in the range of 60-70% lower than peak. Using this example would place optimal highway engine speed at 1500-2000 RPMs. Heavier vehicles (over 3500 lbs) would perform better using a combination at the higher end of this range and lighter vehicles (under 3000 lbs) would be better suited near the lower end of this range.

Things that impact final gear ratio are:

- Tire Size
- Axle Gear Ratio
- Transmission Gear Ratios (with or without overdrive)
- Torque Converters (stall speed selection and/or with or without lock up feature)

Some handy formulas are included below to help make informed decisions. Insert your numbers into these formulas to help you decide what will work best for your application.

Tire Diameter = Measured in inches



MPH = Typical highway cruising speed

Ratio = Final Gear Ratio (Transmission Gear Ratio multiplied by Axle Ratio)

Constant = 336

Final Gear Ratio = (RPM x Tire Diameter) divided by (MPH x 336)

MPH = (RPM x Tire Diameter) divided by (Final Gear Ratio x 336)

RPM = (MPH x Final Gear Ratio x 336) divided by (Tire Diameter)

Tire Diameter = (MPH x Final Gear Ratio x 336) divided by (RPM)

For example, using the first formula to estimate Final Gear Ratio:

$$\frac{2000 \text{ RPM} \times 30" \text{ Tire Diameter}}{65 \text{ MPH} \times 336} = 2.74 \text{ Final Gear Ratio}$$

IMPORTANT: Remember to include overdrive transmission ratios in your final calculation.

For example, if using a 4L60E transmission, the overdrive ratio is 0.71. In order to get to 2.74 final gear ratio, you would calculate as follows:

$$\frac{2.74 \text{ (Final Gear Ratio)}}{0.7 \text{ (Trans O/D Ratio)}} = 3.91 \text{ (Estimated Axle Ratio)}$$

At this point, the estimated ratio you determine may not be a ratio that is readily available. You should then review ratio options higher or lower depending on other factors listed above (personal preference and driving habits, geography, overall average vehicle speed, vehicle final weight, ect...).

Remember that the examples given here are strictly for demonstration purposes and your results may vary. The consumer assumes all responsibility for determining actual usage conditions.

Spark Plugs / Spark Plug Wires / Wire Loom Kit:

The RAMJET 350 engine's cast iron, Vortec cylinder heads have straight spark plugs. Check for spark plug and wire clearance when using aftermarket headers designed for angled plugs.

The RAMJET 350 engine includes spark plug wires, part number 12361051. These heavy-duty wires come with 90° spark plug boots, and the Chevrolet Performance logo stamped on the wires.

Chevrolet Performance sells a spark plug wire loom kit, part number 12496806. The brackets in this kit are stainless steel, with the "Bow Tie" logo laser cut into them. This kit can be used with the RAMJET 350. The brackets bolt to the side of the cylinder heads.

Diagnostic and Service Tools:

Included with the RAMJET 350 engine is a diagnostic trouble code tool. This simple device will allow you to read any diagnostic trouble codes stored in the ECM as well as set base ignition timing. If you would like more functionality than the DTC tool can provide, you can purchase a TechMate scan tool. Functionally, this scan tool is similar to a Tech 1 or Tech 1A used at GM dealerships. To purchase a TechMate scan tool, simply call or write to:

Rinda Technologies Inc.
4563 N. Elston Avenue
Chicago, IL 60630
(773) 736-6633



RAMJET 350 Engine Torque Specifications:

Camshaft retainer bolt/screw.....	106 in.lbs. / 12 Nm
Camshaft sprocket bolt/screw	21 ft.lbs. / 28 Nm
Connecting rod nut.....	.006" bolt stretch preferred 20 ft.lbs. + additional 55° (45
.....	ft.lbs. if no angle gauge is available) / 27 Nm + additional
.....	55° (61 Nm if no angle gauge is available)
Crankshaft balancer bolt	74 ft.lbs. / 100 Nm
Crankshaft bearing cap bolt/screw and stud	67 ft.lbs. / 90 Nm
Crankshaft rear oil seal housing nut/bolt/screw.....	11 ft.lbs. / 15 Nm
Cylinder head bolt /screw	65 ft.lbs. / 88 Nm
Distributor bolt/screw.....	18 ft.lbs. / 25 Nm
Engine block oil gallery plug.....	15 ft.lbs. / 20 Nm
ECM mounting bolt/screw	106 in.lbs. / 12 Nm
Engine coolant temperature sensor	106 in.lbs. / 12 Nm
Engine front cover bolt screw	106 in.lbs. / 12 Nm
Flywheel bolt/screw	74 ft.lbs. / 100 Nm
Fuel pressure regulator bolt/screw	84 in.lbs. / 9.5 Nm
Fuel pressure regulator outlet line nut.....	13 ft.lbs. / 17.5 Nm
Fuel rail bolt/screw	88 in.lbs. / 10 Nm
Idle air control valve bolt/screw	28 in.lbs. / 3.2 Nm
Ignition oil bracket bolt/screw	16 ft.lbs. / 22 Nm
Intake manifold bolt/screw and stud	
First pass.....	9 ft.lbs. / 12 Nm
Second pass.....	11 ft.lbs. / 15 Nm
Knock sensor.....	14 ft.lbs. / 19 Nm
MAP sensor bolt/screw.....	55 in.lbs. / 6 Nm
Oil filter adapter bolt/screw.....	18 ft.lbs. / 25 Nm
Oil level indicator tube bolt/screw.....	106 in.lbs. / 12 Nm
Oil pan assembly	
Corner nut/bolt/screw	15 ft.lbs. / 20 Nm
Side rail bolt/screw	106 in.lbs. / 12 Nm
Oil baffle nut.....	30 ft.lbs. / 40 Nm
Oil pan drain plug	15 ft.lbs. / 20 Nm
Oil pump bolt/screw to rear crankshaft bearing cap.....	66 ft.lbs. / 90 Nm
Oil pump cover bolt/screw	106 in.lbs. / 12 Nm
Sensor, oxygen.....	20 ft.lbs. / 27 Nm
Spark plug	15 ft.lbs. / 20 Nm (tapered seat)
Starter motor bolt/screw	35 ft.lbs. / 48 Nm
Throttle position sensor bolt/screw.....	18 in.lbs. / 2 Nm
Throttle body bolt/screw	11 ft.lbs. / 15 Nm
Valve lifter guide retainer bolt/screw.....	18 ft.lbs. / 25 Nm
Water pump bolt/screw.....	30 ft.lbs. / 40 Nm

Service Parts List:

Block Assembly, Engine	Not serviced separately	Bearing Kit, Crankshaft #1,2,3,4	12531215
Engine Assembly, Service Partial.....	12556121	Bearing Kit, Crankshaft #5	89060460
Plug, Engine Block Core Hole.....	88891749	Head Assembly, Cylinder (Complete)	12558060
Bearing, Camshaft #1	12453170	Head Assembly, Cylinder With Studs.....	12528913
Bearing, Camshaft #2,5	12453171	Valve, Intake	10241743
Bearing, Camshaft #3,4	12453172	Valve, Exhaust	12550909
Bolt/Screw, Crankshaft Brg Cap	12561388	Spring, Valve.....	10212811
Stud, Crankshaft Bearing Cap	12561389	Key, Valve Stem.....	24503856
Plug, Engine Block Cool Drain.....	14084945	Seal, Intake Valve Stem Oil.....	10212810
		Seal, Exhaust Valve Stem Oil	12564852



Cap, Valve Spring	10241744	Plug, Engine Block Oil Galley	10110897
Gasket, Cylinder Head	14096405	Plug Assembly, Engine Block Oil Galley	12338136
Bolt/Screw, Cylinder Head (Long)	10168525	Plug, Engine Block Oil Galley	14091563
Bolt/Screw, Cylinder Head (Medium)	10168526	Plug Assembly, Engine Block Oil Galley	12338136
Bolt/Screw, Cylinder Head (Short)	10168527	Plug, Engine Block Oil Galley	3738198
Plug Assembly, Cylinder Head Core	444662	Plug Assembly, Engine Block Oil Galley	14084945
Pin, Cylinder Head Locating	585927	Cap Assembly, Oil Fill	93439687
Crankshaft.....	10243070	Cover Assembly, Engine Front.....	12562818
Pin, Crankshaft Rear Oil Seal	9441003	Seal Assembly, Crankshaft Front Oil.....	10228655
Housing Assembly, Crankshaft Rear Oil Seal	12554336	Bolt/Screw, Engine Front Cover.....	10213293
Stud, Crankshaft Rear Oil Seal.....	14080362	Bolt/Screw, Engine Front Cover.....	12551135
Seal Assembly, Crankshaft Rear Oil	12554337	Grommet, Engine Front Cover.....	10213294
Housing Assembly, Crankshaft Rear Oil	12554312	Pump Assembly, Water With Gasket	88894341
Stud, Crankshaft Rear Oil Seal.....	14080362	Plug, Engine Cool Thermostat Housing	12542187
Seal Assembly, Crankshaft Rear Oil	12554314	Gasket, Water Pump Cover	12555493
Gasket, Crankshaft Rear Oil Seal.....	12555771	Gasket, Water Pump.....	3754587
Bolt/Screw, Crankshaft Rear Oil	14101030	Bolt/Screw, Water Pump	9439637
Bolt/Screw, Crankshaft Rear Oil	14101032	Bolt/Screw, Water Pump	15991978
Stud, Crankshaft Rear Oil Seal.....	14101058	Stud, Water Pump.....	14097492
Nut, Crankshaft Rear Oil Seal.....	10108645	Camshaft Assembly	14097395
Deflector, Crankshaft Oil	94668472	Pin, Camshaft Sprocket, Locating.....	12554553
Nut, Crankshaft Oil Deflector	9442946	Retainer, Camshaft	10168501
Balancer Assembly, Crankshaft	10243271	Bolt/Screw, Camshaft Retainer	14093637
Key, Crankshaft Balancer.....	106751	Sprocket, Camshaft	12552129
Flywheel Assembly	14088648	Sprocket, Crankshaft	14088784
Gear, Flywheel Ring.....	03991408	Bolt/Screw, Camshaft Sprocket	9424877
Bolt/Screw, Flywheel.....	12337973	Chain Assembly, Timing.....	14088783
Pin, Flywheel Locating	10046031	Plug, Camshaft Rear Bearing Hole.....	10241154
Rod Assembly, Connecting	10108688	Rod Assembly, Valve Push	10241740
Bolt/Screw, Connecting Rod	461372	Lifter Assembly, Valve	17120735
Nut, Connecting Rod.....	3866766	Guide, Valve Lifter.....	12550002
Piston Assembly, With Pin(Standard).....	88894280	Retainer, Valve Lifter Guide	14101116
Piston Assembly, With Pin(.127mm Oversize)	88894281	Arm, Valve Rocker	19210724
Piston Assembly, With Pin(.5mm Oversize)	88894282	Nut, Valve Rocker Arm	12557390
Ring Kit, Piston(Standard)	12522848	Ball, Valve Rocker Arm.....	10144053
Ring Kit, Piston(.127mm Oversize).....	12533559	Cover Assembly, Valve Rocker Arm.....	12355350
Ring Kit, Piston(.5mm Oversize).....	12524205	Bolt/Screw, Valve Rocker Arm Cover	12356818
Bearing, Connecting Rod.....	12523925	Gasket, Valve Rocker Arm Cover.....	10046089
Pan Assembly	10242245	Spark Plug Assembly	5614210
Plug Assembly, Oil Pan Drain	11562588	Pin, Transmission Locating	01453658
Gasket, Oil Pan.....	10108676	Engine Assembly, (Service Partial)	12556121
Nut, Oil Pan.....	09440046	Valve Assembly, PCV.....	25095452
Bolt/Screw, Oil Pan	9440033	Grommet, PCV Valve	10240678
Stud, Oil Pan.....	14080362	Hose Assembly, PCV Valve	1255693
Reinforcement, Oil Pan.....	12553058	Connector, PCV Valve Hose	336018
Reinforcement, Oil Pan.....	12553059	Manifold Assembly, Intake.....	12489371
Screen Assembly, Oil Pump.....	12550042	Shield, Intake Manifold Oil Splash	10128305
Pump Assembly, Oil	93442037	Bolt/Screw, Intake Manifold.....	11588711
Cover Assembly, Oil Pump.....	10168528	Gasket Assembly, Intake Manifold	89017465
Valve, Oil Press Relief.....	88984201	Bolt/Screw, Intake Manifold.....	12550027
Plug, Oil Press Relief Valve	3704871	Fitting, Intake Manifold Vacuum.....	14082470
Spring, Oil Press Relief Valve	14024240	Body Assembly, Throttle.....	17096144
Pin, Oil Press Relief Valve S.....	12551790	Sensor Assembly, Throttle Position.....	17123852
Bolt/Screw, Oil Pump Cover.....	11517518	Valve Assembly, Idle Air Control.....	17113209
Shaft, Oil Pump Drive	3998287	Seal, Idle Air Control Valve.....	17082049
Retainer, Oil Pump Drive Shaft.....	3764554	Bolt/Screw Kit, Idle Air.....	17113168
Bolt/Screw, Oil Pump	10046007	Gasket, Throttle Body	12570168
Pin, Oil Pump Locating	12554553	Bolt/Screw, Throttle Body.....	11588714
Plug, Engine Block Oil Galley	14091563	Injector Kit, Multi-Port Fuel.....	19244617



Rail Assembly, Multi-Port Fuel Injection	12553918	Relay Assembly, Fuel Pump	12177233
Regulator, Fuel Pressure	17123897	Connector, Relay-Ignition.....	15306045
Bolt, Fuel Pressure Regulator.....	11561767	Relay Assembly, Ignition	12177233
Hose, Fuel Pressure Regulator.....	12557247	Connector, Data Link	12125676
Connector, Fuel Line.....	12489599	Connector, Data Link	12117372
Seal, Fuel Line Connector	12489600	Connector, Fuel Pump	12085491
Bolt/Screw, Fuel Injection.....	11518061	Connector, Sensor-Map	88987997
Housing Kit, Distributor	10475771	Connector, Coil-Ignition.....	12101896
Pin, Distributor Ignition Pick Up	454666	Wire Assembly, Ignition Coil.....	12097982
Cap, Distributor	19166099	Connector, Sensor-Engine Coolant	88987993
Bolt/Screw, Distributor Cap	10469669	Connector, Idle Air.....	13584433
Shaft, Distributor	10491354	Connector, Sensor-Throttle Position	88988301
Rotor, Distributor	10477219	Connector, Module-Distributor Ignition.....	13584433
Module Assembly, Distributor	10482830	Connector, Injector-Fuel.....	12085491
Bolt/Screw, Distributor.....	10469668	Connector, Inline-To Body Harness	12101855
Pole Piece, Distributor Pick Up.....	10469667	Connector, Sensor-Knock	12102621
Coil, Distributor Pick Up.....	10470794	Harness, Engine Wiring	88961967
Retainer, Distributor Ignition Pick Up	10493403	Wire Set, Spark Plug.....	12361051
Gear, Distributor Shaft	19052845	Post, Transmission Cable	12489601
Pin, Distributor Gear	456652	Nut, Transmission Cable Post.....	12489602
Washer, Distributor Shaft Thrust.....	1977937	Washer, Transmission Cable Post (Lock)	12489603
Washer, Distributor Shaft	1965864	Bracket, Transmission Cable	12489585
Shield, Distributor Ignition Pick Up.....	10496783	Bolt, Transmission Cable Bracket	11518061
Gasket, Distributor	10108445	Nut, Transmission Cable Bracket.....	11516075
Clamp, Distributor	10096197	Bracket, Transmission & Throttle Cable.....	12489586
Bolt/Screw, Distributor.....	14091544	Bolt, Transmission & Throttle Cable Bracket	11518061
Sensor Assembly, Knock.....	10456126	Nut, Transmission & Throttle Cable Bracket	91177733
Coil Assembly, Ignition	12598697	Bracket, Cable Bracket Mounting	12489587
Bracket, Coil.....	10470094	Bolt, Cable Bracket Mounting Bracket	11518061
Bracket, Coil.....	10470624	Pump, Water (with Gaskets)	88894341
Screw/Bolt, Coil Bracket	11503051	Gasket, Water Pump.....	3754587
Nut, Coil Bracket	10180301	Bolt, Water Pump	9442012
Wire Assembly, Ignition Coil.....	12097982	Fitting, pipe oxygen sensor	15156588
Regulator Assembly, Fuel Pressure	17123897	Sensor Assembly, oxygen.....	19178918
Bolt/Screw, Fuel Pressure Regulator	11561767	Sensor, intake air temperature.....	25036751
Hose Assembly, Fuel Pressure Regulator.....	12557247	Connector, oxygen sensor	13582063
Module Assembly, Engine Control	88962717	Connector, mat sensor.....	12102620
Bracket, ECM Mounting	1248958		
Bolt, ECM Bracket Mounting.....	11509024		
Nut, ECM Bracket Mounting	91177733		
Sensor Assembly, MAP.....	12614973		
Seal, MAP Sensor.....	16194007		
Bracket, MAP sensor	12489583		
Bolt, MAP Sensor Bracket.....	12489598		
Sensor Assembly, Engine Coolant Temperature ..	15326386		
Bracket Assembly, Multiuse Fuse	10029398		
Filter Assembly, Fuel.....	25171792		
Harness Assembly, Throttle Body	12181943		
Connector, Module- Engine Control.....	12129228		
Retainer, ECM Wiring Harness	12129231		
Retainer, ECM Wiring Harness	12129234		
Retainer, ECM Wiring Harness	12129232		
Retainer, ECM Wiring Harness	12129233		
Connector, Fuse.....	12102746		
Cover, Engine Wiring Harness Fuse.....	12186406		
Fuse Assembly, Wiring Harness	88909754		
Fuse Assembly, Wiring Harness	12092079		
Connector, Relay-Fuel Pump.....	15306045		

Caractéristiques techniques du moteur RAMJET 350 19355815

Numéro de pièce des caractéristiques techniques 19355813

Nous vous remercions d'avoir choisi Chevrolet Performance comme source de haute performance. Chevrolet Performance s'est engagée à offrir une technologie de rendement éprouvée et novatrice qui est réellement... beaucoup plus que de la puissance. Les pièces de Chevrolet Performance ont été conçues, élaborées et mises à l'essai de manière à dépasser vos attentes de réglage précis et de fonction. Veuillez vous reporter à notre catalogue pour connaître le centre Chevrolet Performance autorisé le plus près de chez vous ou visitez notre site Web à www.chevroletperformance.com.

La présente publication offre de l'information d'ordre général sur les composants et les procédures pouvant s'avérer utile lors de la pose ou de l'entretien du moteur RAMJET 350. Veuillez lire en entier la présente publication avant de commencer à travailler. De plus, veuillez vérifier que tous les composants nommés ci-dessous sont inclus dans l'ensemble.

L'information ci-dessous est divisée dans les sections suivantes : contenu de l'ensemble, renseignements sur les composants, caractéristiques techniques du moteur RAMJET 350, instructions de pose des composants inclus dans la trousse, pièces supplémentaires que vous devez peut-être acheter, spécifications de couple et une liste de pièces de rechange.

Le moteur RAMJET 350 est basé sur le moteur marin à injection dans l'orifice d'admission électronique de Chevrolet. Il bénéficie d'une technologie moderne dans un ensemble qui peut être monté dans les applications où le V-8s Chevrolet bloc court 265-400ci était précédemment utilisé. Le moteur RAMJET 350 est livré assemblé avec tous les composants suivants : bloc et culasses, carter d'huile, amortisseur de vibrations, pompe à eau, tubulure d'admission, module de commande du moteur (ECM) entièrement étalonné, faisceau de câbles, tous les capteurs nécessaires et allumeur. Ce moteur est monté au moyen de composants neufs de première qualité.

Le système d'exploitation RAMJET est système de commande d'injection de carburant très avancé qui utilise un minimum d'entrées dans le module de commande du moteur (ECM) pour faciliter la pose. Pour cette raison, il est nécessaire de comprendre certaines conditions de fonctionnement pour assurer le bon fonctionnement.

Par exemple, en raison des nombreuses applications et utilisation, ce véhicule n'a aucune disposition pour l'entrée de la vitesse du véhicule, l'entrée de la gamme de boîte de vitesses (automatique) ou l'entrée de la pédale d'embrayage (boîte de vitesses manuelle) vers l'ECM. Si le capteur de position du papillon (TPS) est fermé pendant que le moteur est en marche, le module de commande du moteur n'est pas en mesure de déterminer si le véhicule roule sur la route ou s'il roule au ralenti en position de stationnement (P) ou au point mort (N). Si le conducteur commande le moteur de façon à baisser le régime du moteur sous le ralenti souhaité, la réaction normale du module de commande est de maintenir le régime moteur au-dessus du régime minimal en réglant la régulation de l'air de ralenti (IAC) et le calage de l'allumage.

Si le conducteur continue à commander le moteur à ce « faible régime forcé », l'IAC et l'allumage peuvent continuer à grimper jusqu'à ce qu'ils atteignent le maximum. Si la charge est subitement retirée (pédale d'embrayage enfoncée, levier de vitesse au point mort), le régime du moteur sera supérieur au ralenti souhaité. À ce point, le régime du moteur commence à diminuer jusqu'à ce qu'il atteigne le régime de ralenti souhaité. Pour éviter de conduire dans ces conditions, passer la boîte de vitesses au rapport inférieur suivant pour éviter de « forcer » le moteur à tourner sous le régime de ralenti souhaité.

Faire tourner le moteur RAMJET à très bas régimes moteurs et à faible dépression n'est également pas souhaitable du point de vue de l'économie de carburant. Le système d'injection de carburant électronique RAMJET est un système à régime et densité d'air (gestion de carburant « régime densité »).

Les capteurs fournissent à l'ECM les renseignements de base pour la portion gestion de carburant de son fonctionnement. Les signaux envoyés à l'ECM établissent les facteurs de régime moteur et de densité de l'air. Le signal de régime moteur provient du module de commande d'allumage (IC). L'ECM utilise ces renseignements pour déterminer le facteur de « régime » pour la gestion du carburant et de l'allumage.

Le capteur de pression absolue de la tubulure d'admission (MAP) fournit le facteur de densité. À mesure que la pression de la tubulure d'admission augmente, la dépression diminue. La densité de l'air dans la tubulure d'admission augmente également lorsque la demande de carburant augmente. Le capteur MAP envoie les renseignements sur la pression à l'ECM, qui augmente la quantité de carburant injecté en augmentant la durée d'impulsion d'injecteur. À mesure que la pression dans la tubulure diminue, la dépression augmente et la quantité de carburant diminue. Ces deux entrées, MAP et régime, sont les déterminants principaux du mélange air/carburant fourni par le système d'injection carburant. Les capteurs et contacteurs restants fournissent les entrées électriques à l'ECM, qui sont utilisées pour la modification du mélange air/carburant, ainsi que pour d'autres fonctions de commande de l'ECM, comme la commande de ralenti.

Cet ensemble est conçu pour vous offrir un moteur à injection de carburant entièrement étalonné. Ce moteur offre de nombreux avantages par rapport à un moteur à carburateur. Parmi ces avantages, on compte une manœuvrabilité améliorée, une économie de carburant accrue et de meilleures performances dans l'ensemble de la plage de régimes moteurs. Ces avantages sont possibles grâce à la commande de carburant et d'allumage précise dans toute la plage de régimes moteurs.

L'ECM est le centre de commande du système d'injection de carburant. Il commande le système de mesure du carburant, le calage de la distribution, le régime de ralenti et les diagnostics embarqués relatifs aux fonctions du moteur. Il surveille constamment l'information provenant des différents capteurs et commande les systèmes qui ont une incidence sur le rendement du moteur. L'ECM exécute également la fonction de diagnostic du système. Il peut reconnaître les problèmes de fonctionnement et mémoriser des codes d'anomalie, qui cernent les zones problématiques pour aider le technicien à effectuer les réparations. Se reporter au manuel de réparation du moteur à bloc court RAMJET, numéro de pièce 88962723, inclus dans la présente trousse, pour de plus amples renseignements sur l'utilisation de la fonction de diagnostic de l'ECM.

L'ECM commande l'avance à l'allumage dans toutes les conditions de conduite. Il surveille les signaux d'entrée des composants suivants dans le cadre de sa fonction de commande d'allumage pour déterminer le calage de l'allumage requis :

- Module de commande d'allumage (IC)
- Sonde de température du liquide de refroidissement (ECT)
- Capteur de pression absolue de la tubulure d'admission (MAP)
- Capteur de position du papillon (TP)
- Capteur de détonations (KS)

La fonction du système de mesure de carburant est de fournir la bonne quantité de carburant au moteur dans toutes les conditions de fonctionnement. Le carburant est amené au moteur au moyen d'injecteurs de carburant individuels montés dans la tubulure d'admission, à proximité de chaque orifice d'admission. L'ECM surveille les entrées de nombreux capteurs pour déterminer la quantité de carburant à fournir au moteur. Le carburant est fourni dans une des nombreuses conditions, nommées « modes ». Parmi ces modes, on compte le mode de démarrage, le mode de suppression de noyade, le mode de marche, le mode d'accélération, le mode de coupure de carburant et le mode de réduction du régime moteur. Se reporter au manuel de réparation pour de plus amples renseignements sur l'ECM et les caractéristiques de chaque mode.

Le moteur RAMJET 350 est fabriqué sur l'outillage de production actuel ; par conséquent, il est possible de rencontrer des dissemblances entre le moteur RAMJET 350 et les précédentes versions du petit bloc V8. En général, les éléments tels que les fixations du moteur, les entraînements accessoires, les tubulures d'échappement, etc. peuvent être transférés sur un moteur RAMJET 350 lorsqu'il est monté sur un véhicule équipé à l'origine d'un moteur V8 petit bloc. Toutefois, comme il est indiqué dans les sections suivantes, il pourrait y avoir des différences importantes au niveau du cercle de boulonnage de volant moteur, de la pompe à eau, de l'amortisseur de vibrations, etc., entre le moteur RAMJET 350 et un moteur V8 à petit bloc plus ancien. Ces différences peuvent nécessiter des modifications ou des composants supplémentaires non compris dans le moteur RAMJET 350. Lors du montage d'un moteur RAMJET 350 sur un véhicule non équipé à l'origine d'un V8 petit bloc, il peut être nécessaire d'adapter ou de fabriquer divers composants pour le refroidissement, le carburant, les systèmes électriques et les systèmes d'échappement. En raison du grand nombre de véhicules sur lesquels le moteur RAMJET 350 peut être monté, certaines procédures et recommandations peuvent ne pas s'appliquer aux applications particulières.

Ces caractéristiques sont un supplément aux manuels de réparation pour camion de type C/K Chevrolet 1998, car l'entretien du moteur de camion C/K 1998 est très similaire à celui du moteur RAMJET 350. Ces caractéristiques techniques ne sont pas destinées à remplacer les pratiques d'entretien complètes et détaillées expliquées dans les manuels de réparation d'usine.

Observer toutes les précautions et tous les avertissements en matière de sécurité présentés dans le Manuel d'entretien au moment de monter un moteur RAMJET 350 dans n'importe quel véhicule. Porter un protecteur pour la vue et des vêtements de protection appropriés. Soutenir fermement le véhicule avec des chandelles au moment de travailler sous le véhicule ou autour de celui-ci. Utiliser seulement les outils appropriés. Faire preuve d'extrême prudence lorsqu'on travaille avec des liquides ou des matériaux inflammables, corrosifs ou dangereux. Certaines procédures nécessitent l'utilisation d'un équipement spécial et des habiletés particulières. Si vous ne possédez pas la formation, l'expertise et les outils nécessaires pour effectuer toute partie de cette conversion en toute sécurité, ce travail devrait être réalisé par un professionnel.

Renseignements légaux et renseignements sur les émissions

Le présent document a pour objet de fournir des renseignements sur le moteur RAMJET 350 et les composants connexes. Le présent manuel décrit également les procédures et les modifications pouvant être utiles pendant la pose d'un moteur RAMJET 350. Ces renseignements ne sont pas destinés à remplacer les manuels de réparation complets et les catalogues de pièces en matière de moteurs et de composants de Chevrolet. Plutôt, ce guide a été conçu pour offrir des renseignements supplémentaires sur les matières pouvant intéresser les «bricoleurs» et les mécaniciens.

Cette publication s'applique aux moteurs et aux véhicules qui sont utilisés hors des voies publiques, sauf indication contraire expresse. Les règlements fédéraux restreignent la dépose des véhicules automobiles de toute partie d'un système antipollution exigé par la loi fédérale. En outre, de nombreux États ont établi des lois qui interdisent le traficage ou la modification de tout système antipollution ou antibruit exigé par la loi. En règle générale, les véhicules qui ne roulent pas sur les voies publiques, tout comme certains véhicules d'intérêt spécial et pré-émissions, sont exempts de la plupart de la réglementation. On suggère fortement au lecteur de consulter tous les règlements municipaux et provinciaux applicables.

Plusieurs des pièces qui sont décrites ou énumérées dans le présent ouvrage sont commercialisées à des fins hors autoroute seulement et elles portent l'étiquette «Special Parts Notice» (avis sur les pièces spéciales) qui est reproduite ici.

Avis sur les pièces spéciales

Cette pièce a été conçue spécifiquement pour une application hors route seulement. Puisque la pose de cette pièce pourrait nuire au rendement antipollution du véhicule ou donner lieu à son manque d'homologation en vertu des normes de sécurité actuelles des véhicules automobiles, celle-ci ne doit pas être posée dans un véhicule qui sera utilisé sur une voie publique ou une autoroute. En outre, une telle application pourrait donner lieu à l'annulation de la garantie d'un tel véhicule sur route ou autoroute.

Les renseignements contenus dans cette publication sont présentés sans aucune garantie. Tout risque encouru pendant l'utilisation de cette publication est entièrement assumé par l'utilisateur. La conception de composant spécial, les procédures mécaniques et les qualifications de chaque lecteur sont hors du contrôle de l'éditeur et c'est pourquoi il décline toute responsabilité afférente en lien avec l'utilisation des renseignements fournis dans cette publication.

Chevrolet, Chevy, l'emblème Chevrolet, General Motors et GM sont des marques déposées de General Motors.

Contenu de l'ensemble

<u>Article</u>	<u>Description</u>	<u>Quantité</u>	<u>Numéro de pièce</u>
1	Ensemble de moteur	1	19355814
2	Spécifications	1	19355813
3	Manuel de réparation du moteur RAMJET à petit bloc	1	88962723
4	Outil de code d'anomalie	1	12489400
5	Ensemble bobine d'allumage	1	12598697
6	Câble de bobine d'allumage	1	12097982
7	Trousse de câbles de bougies d'allumage	1	12361051
8	Faisceau de câbles	1	88961967
9	Bougie d'allumage	8	5614210

Renseignements sur les composants :

Tubulure d'admission RJ 350 :

Cette trousse contient une tubulure d'admission à injection de carburant par orifice Chevrolet Performance Parts conçue spécialement pour le moteur RAMJET 350. Cette tubulure d'admission en aluminium coulé est dotée de deux trous situés à l'arrière du plénum. Le trou sur la face arrière du plénum est fileté pour un raccord 3/8 po NPT et doit être utilisé à titre d'orifice à dépression du servofrein. Il est situé à proximité de l'allumeur, il peut donc être avantageux de poser ce raccord lorsque l'huile moteur est amorcée et que l'allumeur est posé. Le deuxième trou est situé du côté droit du plénum et est fileté à 1/4 po NPT. Ce trou est utilisé à titre d'orifice à dépression qui fournit la dépression au régulateur de pression carburant. Le régulateur de pression de carburant est monté sur la rampe d'alimentation en carburant arrière gauche et utilise un raccord mâle -6 AN à la base. Il s'agit de la conduite de retour de carburant, nécessaire pour l'adaptation à votre application. La rampe d'alimentation en carburant droite est dotée d'un trou 3/8 po NPT utilisé pour l'entrée de carburant. Vous devez déterminer ce qui sera nécessaire pour adapter le raccord d'entrée à votre application.

Remarque : si vous posez cet ensemble dans un véhicule équipé à l'origine d'un carburateur ou d'un système à injection dans le corps de papillon (TBI), il est nécessaire d'améliorer les conduites de carburant. Les conduites de carburant doivent être en mesure de soutenir la pression accrue requise par le système d'injection carburant. Ne pas utiliser de raccords cannelés ou de colliers à vis sans fin pour fixer les conduites de carburant sous pression du circuit de carburant. S'assurer également que les conduites en caoutchouc sont remplacées par des tuyaux flexibles suffisamment robustes (p. ex., gaine tressée en acier inoxydable et raccords de type AN) . Finalement, acheminer soigneusement les conduites de carburant pour s'assurer qu'elles ne sont pas trop près du système d'échappement et qu'elles sont protégées des débris ou des obstructions de la route.

Pompe à eau :

Le moteur RAMJET 350 une pompe à eau rotative normale. Il s'agit d'un pompe à eau à longue jambe en fonte.

Tous les moteurs à petit bloc, peu importe l'année, qui utilisent des culasses Vortec, nécessitent une conduite de dérivation de liquide de refroidissement externe entre la tubulure d'admission et le raccord de flexible 5/8 po de la pompe à eau (côté passager). Nous recommandons d'acheminer la conduite du bossage 3/8 NPSF de la tubulure d'admission jusqu'à la pompe à eau.

Système d'allumage :

Cette trousse comprend un système d'allumage à allumeur connecté à l'ECM. L'ECM surveille les entrées des différents capteurs du moteur, calcule le point d'allumage souhaité et signale au module de commande d'allumage de l'allumeur de régler le calage de l'allumage.

Les bougies d'allumage recommandées pour le moteur RAMJET 350 sont les bougies AC Delco, numéro de pièce MR43LTS.

Caractéristiques techniques du moteur RAMJET 350

Cylindrée :350 pouces cubes
Alésage x course :4,00 po x 3,48 po
Compression :9.4:1 nominal
Bloc-moteur :Fonte, couvercles principaux à deux boulons
Culasse :Fonte, Vortec
Diamètre des soupapes (admission et échappement) :1,94 po/1,50 po
Volume de la chambre :62 cc
Vilebrequin :Fonte, joint arrière en 1 partie
Bielles :Forgée, métal fritté, boulons 3/8"
Pistons :Fonte d'aluminium
Segments :Supérieur molybdène, deuxième fer
Arbre à cames :Poussoir à galet hydraulique
Levée :Admission 0,460 po, échappement 0,481 po
Durée :Admission 196°, échappement 205° à levée de poussoir de 0,050 po
Axe :Admission après PMH 104°, échappement avant PMH 109°
Rapport de culbuteur :1.5:1, rouleau à bascule
Chaîne de distribution :Galet simple
Carter d'huile :5 pintes sans le filtre à huile
Pression d'huile (normale) :6 psi à 1 000 tr/min 18 psig à 2 000 tr/min 24 psig à 4 000 tr/min
Huile recommandée :5W30
Filtre à huile :N/P PF1218 d'AC Delco
Jeu de soupape :3/4 de tour passé le jeu 0
Carburant :Supercarburant sans plomb - 92 (R+M/2)
Régime maximal du moteur :5 600 tr/min
Point d'allumage :Initial : 12° avant le point mort haut
Bougies d'allumage :AC Delco pièce n° MR43LTS
Écartement des électrodes :0,040 po
Ordre d'allumage :1-8-4-3-6-5-7-2

L'information peut varier selon l'application. Toutes les caractéristiques techniques énumérées sont basées sur les plus récentes données de production disponibles à la date d'impression.

Mise en garde : Il faut remplir le moteur d'huile et l'amorcer avant de le poser dans le véhicule. Vérifier le niveau d'huile moteur sur la jauge d'huile et compléter au besoin. Pour amorcer le moteur, déposer d'abord le distributeur pour accéder à l'arbre d'entraînement de la pompe à huile. Noter la position du distributeur avant de le déposer. Poser un outil d'amorçage d'huile. À l'aide d'un moteur de perceuse de 1/2", faire tourner l'outil d'amorçage d'huile moteur dans le sens horaire pendant deux ou trois minutes. Pendant l'amorçage du moteur, demander à quelqu'un d'autre de faire tourner le vilebrequin dans le sens horaire pour alimenter tout le moteur et toutes les surfaces des roulements en huile avant de faire démarrer le moteur. Reposer le distributeur dans le même sens qu'il a été déposé. Après avoir monté le moteur sur le véhicule, revérifier le niveau d'huile moteur et ajouter de l'huile au besoin.

Pose de la bobine d'allumage :

Il faut poser la bobine d'allumage. Elle peut être fixée à l'arrière de la culasse ou sur le tablier du véhicule, selon le dégagement disponible de votre application. Serrer les boulons du support de bobine d'allumage à 22 Nm (16 pi-lb). Fixer le câble de bobine d'allumage sur l'allumeur.

Pose de l'ECM et du faisceau de câbles :

Il faut poser le faisceau de câbles inclus avec le moteur RAMJET 350. Pour faciliter la pose, tous les connecteurs ont été étiquetés pour identifier les composants correspondants. La pose du faisceau de câbles requiert un branchement à la tension positive de la batterie et une source d'allumage à fusible. Un fil de sortie d'indicateur de vitesse est également fourni. Ce faisceau de câbles d'injection de carburant est protégé par trois minifusibles supplémentaires logés dans un connecteur étanche du faisceau de câbles. Nous recommandons l'utilisation d'un élément fusible pour la protection du circuit d'alimentation de tension positive de la batterie.

Cette trousse contient également une sonde d'oxygène. La sonde d'oxygène surveille les gaz d'échappement et détermine le degré de richesse ou de pauvreté du moteur. Elle surveille les tables de carburant orientées sur le rendement en conduite agressive dans l'ECM et les corrige, même légèrement, de façon à optimiser le rendement et le comportement du véhicule. Cette correction vous permet de conduire à un degré d'efficacité maximal et ainsi d'améliorer le comportement et la consommation de carburant du véhicule au même moment. Pour poser la sonde d'oxygène sur le système d'échappement, une bonde d'échappement à souder est également incluse dans la trousse. Une sonde d'oxygène et une bonde d'échappement sont montrées à la figure 1.

La trousse comprend également une sonde de température d'air d'admission. Cette sonde agit comme un changement de jet que l'on pourrait apporter sur le carburateur d'un moteur de course sur une piste d'accélération. Normalement, on peut augmenter la grosseur du jet lorsque la température augmente. Cette sonde prélève la température de l'air d'admission et apporte ces « changements de jet » de façon électronique aux tables de carburant de l'ECM afin d'optimiser la puissance et d'obtenir le mélange de carburant optimal pour un rendement et une économie carburant accrus. Une sonde de température d'air d'admission est montrée à la figure 2.

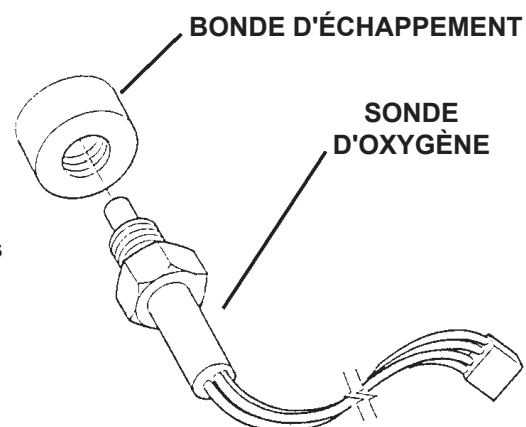
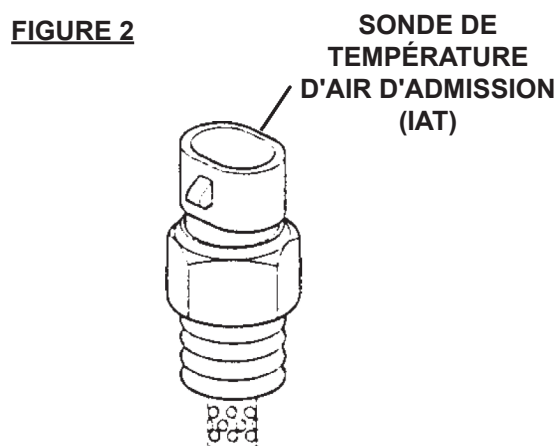
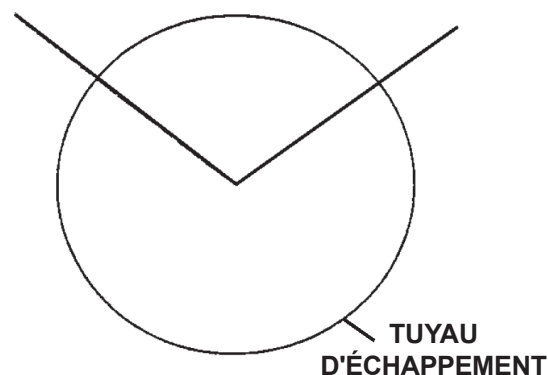
La pose de la bonde d'échappement se fait par soudage. Si vous ne disposez pas de l'équipement requis pour poser la bonde d'échappement, un atelier de silencieux ou un centre de réparation de votre région devrait être en mesure de poser la bonde.

Emplacement de la bonde d'échappement

Avant de commencer la pose de la bonde d'échappement, débrancher le câble négatif de la batterie pour éviter d'endommager l'ECM ou les capteurs. Inspectez soigneusement le moteur et le circuit d'alimentation de carburant pour s'assurer qu'il n'y a aucune fuite de carburant dans le circuit d'alimentation de carburant. Si vous trouvez des fuites, les réparer avant de poursuivre la pose. La sonde d'oxygène vissée dans cette bonde fonctionne mieux à l'emplacement le plus chaud du système d'échappement. Plus près le capteur sera du moteur, mieux cela sera. Si vous possédez une tubulure d'échappement en fonte, placez la bonde dans le tuyau d'échappement en aval de la bride de tubulure – mais le plus près de la bride que possible. Si vous avez un collecteur, posez la bonde dans l'adaptateur du collecteur. Pour une pose dans un tuyau d'échappement horizontal, il est recommandé de poser le capteur face vers le bas, pointant vers le centre du tuyau d'échappement. La figure 3 montre l'angle de pose recommandé pour un tuyau d'échappement horizontal. Si l'endroit choisi pour la pose du capteur est vertical, il n'y a aucun angle de pose recommandé; vous devez vous assurer que le capteur est posé face pointant vers le centre du tuyau d'échappement. Vous devez aussi vous assurer que l'endroit choisi pour la pose de la bonde permettra la pose et la dépose de la sonde d'oxygène. Assurez-vous aussi que la sonde et les câbles connexes n'interféreront pas avec les autres composants. Vérifiez aussi que le câblage de la sonde et les connecteurs ne fondent pas dû à une chaleur excessive de l'échappement. Percez un trou de 7/8 po à l'endroit choisi dans le tuyau d'échappement, en utilisant une scie-cloche.

La pièce doit être bien aérée et vous devez vous assurer qu'il n'y a aucune fuite ou vapeur de gaz à quelque endroit que ce soit dans la pièce ou près de l'aire de soudage.

Une fois la bonde posée, laissez le joint de soudure refroidir complètement avant de poser la sonde. Il est aussi recommandé de tarauder la bonde à l'aide d'un taraud métrique de 18 mm x 1,50 afin d'éliminer toute distorsion qui pourrait survenir durant la procédure de soudage.

FIGURE 1

FIGURE 2

FIGURE 3
PLAGE DE POSE RECOMMANDÉE DE LA BONDE


Pose des sondes

Poser la sonde d'oxygène dans la bonde d'échappement. Une couche de composé antigrippage sur les filets de la sonde d'oxygène facilitera la dépose de la sonde si un remplacement s'avère nécessaire. La sonde d'oxygène doit être serrée à 20 pi-lb.

La sonde de température de l'air d'admission (IATR) doit être située dans le flux de l'air d'admission. Il est souhaitable de poser cette sonde aussi loin que possible du corps de papillon. Les filets de la sonde IAT est un filetage NPT de 1/4 (National Pipe Thread). Déterminer l'emplacement de la sonde IAT. L'emplacement de la sonde dépend de la configuration du filtre et du conduit d'admission. Si on utilise un filtre à air auxiliaire muni d'un conduit depuis le filtre jusqu'au corps du papillon, on doit poser la sonde de température d'air d'admission (IAT) dans le conduit près du filtre. Si le filtre est directement fixé sur le corps du papillon, on doit poser la sonde de température d'air d'admission (IAT) dans le filtre. Si il n'est pas recommandé de poser la sonde IAT dans la tubulure d'admission. Une sonde posée dans la tubulure d'admission peut fournir des lectures erronées, car elle peut absorber la chaleur du moteur ou de la tubulure d'admission. Si l'on prévoit souder dans les filets, se procurer un raccord de tuyau de quincaillerie locale pour faciliter la pose. En outre, certaines sondes de type encliquetables sont disponibles dans différentes configurations.

Pose du faisceau de câbles

Il faudra peut-être allonger ou raccourcir les câbles de la sonde de température de l'air d'admission (IAT) et de la sonde d'oxygène. Il est recommandé de le faire en soudant et en scellant la connexion soudée au moyen de la thermorétraction. REMARQUE : Les connecteurs aboutés standards ne sont pas recommandés. N'effectuer aucune réparation ou modification aux fils fixés directement à la sonde d'oxygène.

1. Déposer le faisceau de câbles le long du côté gauche de la tubulure d'admission en positionnant la soupape de régulation de l'air de ralenti, le capteur de position du papillon et les connecteurs de sonde de température du liquide de refroidissement à l'avant du moteur.
2. Raccorder les capteurs énumérés ci-dessus aux composants d'accouplement correspondants.
3. Fixer les huit connecteurs d'injecteur de carburant.
4. Brancher le connecteur du capteur de pression absolue de la tubulure d'admission dans ce dernier, situé sur le côté gauche du plénum de la tubulure d'admission.
5. Poser les connecteurs de module de commande du moteur (ECM). Les connecteurs de l'ECM sur le faisceau de câbles peuvent être identifiés à l'aide des repères d'alignement transparents (J2) ou fumées (J1). L'extérieur de chaque connecteur sur l'ECM porte une étiquette J1 ou J2.
6. Poser le câble de bobine, numéro de pièce GM 12097982. Une extrémité s'attache au-dessus de la bobine et l'autre à l'arrière de l'allumeur.
7. Fixer les connecteurs à partir du faisceau de câbles jusqu'à l'allumeur et à la bobine d'allumage.
8. Brancher les relais de la pompe à carburant et de l'allumage.
9. Fixer le connecteur du capteur de détonations au capteur de détonations. Prendre soin d'acheminer le faisceau de câbles au connecteur, de sorte que le faisceau ne sera pas endommagé par la chaleur provenant du système d'échappement.
10. Fixer le câble de tension positive de la batterie à la large borne au démarreur. Un fil fusible devrait être ajouté à cette connexion pour une protection accrue.
11. Brancher les fils de la pompe à carburant. Le monteur doit fournir un faisceau de câbles reliant la pompe à carburant aux fils fournis.
12. Brancher le conducteur d'allumage au commutateur d'allumage.
13. On peut voir différentes mises à la masse sur le faisceau de câbles. Les mises à la masse doivent être reliées à la masse au moyen de goujons distincts sur le moteur. Le défaut d'utiliser des goujons de masse distincts pourrait nuire au rendement du moteur ou entraîner la panne de l'ECM.
14. On peut également remarquer deux sorties de tachymètre, le tach1 est destiné au côté négatif standard d'un tachymètre entraîné par bobine. Le tach2 sert aux nouveaux tachymètres numériques, c'est une sortie à onde carrée de 0-12 V. Sélectionner et brancher la sortie appropriée à l'application.
15. Rebrancher le câble de la batterie.

Réglage du calage initial :

Afin de modifier l'avance à l'allumage de base, le module de commande du moteur (ECM) doit être mis en « mode d'entretien » avec l'outil de code d'anomalie, référence GM 12489400. Ceci peut être accompli en fixant l'outil à codes d'anomalie au connecteur de liaison de données, sur le faisceau de câbles.

1. Couper le contact du moteur (le moteur ne tourne pas).
2. Placer le commutateur d'essai de l'outil à codes d'anomalie à la position arrêt et brancher l'outil dans le connecteur de liaison de données du faisceau de câbles.
3. Démarrer le moteur et placer le commutateur d'essai de l'outil à codes d'anomalie à la position marche.

Le module de commande d'allumage passe alors au calage de l'allumage de base. Le calage de l'allumage de base peut alors être réglé en tournant l'allumeur.

Avec une lampe stroboscopique, régler l'avance à l'allumage à 12° avant le point mort haut (PMH).

Rodage initial du moteur :

Après la pose du moteur dans le véhicule, s'assurer que l'avance a été réglée et qu'un contrôle de détection de problème a été effectué, c'est-à-dire la vérification de la pression d'huile, d'absence de fuite, de température de liquide de refroidissement, etc.

1. Le véhicule doit alors être conduit dans diverses conditions et avec diverses charges pour les premiers 30 milles sans rouler à pleins gaz et sans accélération à un régime élevé soutenu. **REMARQUE :** L'ECM est programmé avec un mode vert qui limite le régime maximal pendant la période de rodage. Du démarrage à la fin de la première heure, la limite est de 4000 tr/min; pendant la deuxième heure, la limite est de 4500 tr/min et, pendant la troisième heure, elle est de 5500 tr/min.
2. Accélérer cinq ou six fois à ouverture moyenne du papillon jusqu'à 4000 tr/min environ en relâchant l'accélérateur en prise.
3. Accélérer deux ou trois fois à pleins gaz jusqu'à 4000 tr/min environ en relâchant l'accélérateur en prise.
4. Vidanger l'huile et remplacer le filtre à huile; utiliser de l'huile moteur 5W30 et un filtre à huile PF1218 ACDelco. Inspecter l'huile et le filtre usagés pour assurer que le moteur fonctionne correctement.
5. Pour les 500 milles suivants, conduire dans des conditions « normales ». Ne pas faire tourner le moteur au régime nominal maximum de 5500 tr/min et ne pas soumettre le moteur à des charges élevées pendant des périodes prolongées.
6. Vidanger l'huile et remplacer le filtre une fois de plus.

Pièces supplémentaires pouvant être requises :
Volant moteur / Plateau d'entraînement flexible :

Comme tous les moteurs V8 GEN1 ou GEN1E produits depuis 1986, le moteur RAMJET 350 présente un cercle de boulonnage de bride de volant moteur de 3,00 po de diamètre. Les moteurs V8 à petit bloc produits de 1955 à 1985 présentaient un cercle de boulonnage de bride de volant moteur de 3,58 po de diamètre. Cette modification du diamètre du cercle de boulonnage a permis de poser un joint d'étanchéité de vilebrequin arrière monobloc. En raison des modifications techniques du vilebrequin, un moteur RAMJET 350 doit posséder un volant moteur (ou tôle d'entraînement) à contrepoids pour assurer un bon équilibrage. Le moteur RAMJET 350 comporte un volant de boîte de vitesses manuelle de 14 po, référence pièce GM 14088648. Si un moteur avec boîte de vitesses automatique est posé ou si un volant de 12 3/4 po est utilisé, sélectionner l'un des volants ou l'une des tôles d'entraînement dans le tableau ci-dessous. Utilisez le boulon de volant moteur, référence GM 839756 (6 requis) ou le boulon de tôle d'entraînement, référence GM 3727207 (6 requis).

REMARQUE : Lors de la pose du moteur avec une boîte de vitesses automatique, le roulement d'arbre d'embrayage doit être déposé. Cela permet de s'assurer que la pose d'un convertisseur de couple ne nuit à aucun composant.

Volants moteur pour boîte de vitesses manuelle de moteur RAMJET 350

<u>Pièce GM</u>	<u>Extérieur</u>	<u>Embrayage</u>	<u>Couronne dentée de démarreur</u>	<u>Remarques</u>
<u>Numéro</u>	<u>Diamètre</u>	<u>Diamètre</u>	<u>Denture de roue dentée</u>	
14088648	14"	11.0,11.85	168	Pour joint de vilebrequin monopièce
14088646	12-3/4"	10.000"	153	Volant moteur en fonte ductile légère, poids approximatif de 17 lb; pour joint de vilebrequin monopièce
14088650	12-3/4"	10.4"	153	Volant moteur de poids standard; pour joint de vilebrequin monopièce

Tôles d'entraînement pour boîte automatique de moteur RAMJET 350

<u>Pièce GM</u>	<u>Extérieur</u>	<u>Convertisseur</u>	<u>Couronne dentée de démarreur</u>	
<u>Numéro</u>	<u>Diamètre</u>	<u>Cercle de bou- lonnage</u>	<u>Denture de roue dentée</u>	<u>Remarques</u>
14088765	12-3/4"	10.75"	153	Pour joint de vilebrequin monopièce
12554824	14"	11.50"	168	Tôle d'entraînement robuste d'épaisseur accrue pour joint de vilebrequin monopièce
14088761	14"	10.75,11.50"	168	Pour joint de vilebrequin monopièce

Démarreur :

Le démarreur doit correspondre au diamètre du volant moteur (ou de la plaque d'entraînement flexible) pour monter un ensemble moteur RAMJET 350. Les petits volants moteur ont un diamètre de 12 po 3/4 et des couronnes de démarreur à 153 dents. Les grands volants moteur ont un diamètre de 14 po et ont 168 dents sur la couronne du démarreur. Cette différence de diamètre des volants moteur nécessite deux boîtiers de démarreur différents. Les nez de démarreur utilisés avec des volants moteur de 14 po de diamètre ont deux orifices de boulons décalés ; les démarreurs utilisés avec des volants moteur de 12 po 3/4 de diamètre ont des orifices de boulons en ligne droite. Remarque : Les démarreurs Chevrolet utilisent des boulons de fixation à épaulement spéciaux, qui indiquent le démarreur sur le bloc.

Les démarreurs suivants peuvent être utilisés avec les ensembles moteur RAMJET 350:

14097278	Boulon, fixation du démarreur, long, pour démarreur haute résistance
14097279	Boulon, fixation du démarreur, court, pour démarreur haute résistance
19302919	Démarreur, démultiplication à aimant permanent (PMGR) pour volant moteur/tôle d'entraînement de 14 po (10 lb)
14037733	Boulon, fixation du démarreur, intérieur pour démarreur PMGR de 12 3/4 po
12338064	Boulon, fixation du démarreur, extérieur pour démarreur PMGR de 12 3/4 po; également pour démarreur PMGR de 14 po (2 nécessaires)
12361146	Mini-démarreur à couple élevé pour volants moteurs de 12 3/4 po et 14 po

Carter d'huile / Filtre / Adaptateur / Jauge d'huile :

Le moteur RAMJET 350 comporte un carter d'huile référence GM 10242245. Ce carter a été initialement conçu pour la marine et les camions et peut causer des problèmes d'interférences lorsqu'il est posé dans certaines applications. Vérifier qu'il y a suffisamment de place avant la pose. Un carter recommandé est le carter d'huile ZZ5, référence GM 12557558, qui requiert le joint de carter 10108676. Les pièces supplémentaires requises sont deux (2) boulons de chapeau de palier principal (N/P 12561388) et un plateau anti-turbulence « court » (N/P 12554816). Ce carter requiert également la jauge de niveau de liquide N/P 12551144 et le tube N/P 12551154, comme indiqué ci-dessous.

La jauge d'huile du moteur RAMJET 350 est sur le côté droit (côté passager) du bloc. Vérifier que le dégagement est suffisant lors du remplacement d'un bloc plus ancien avec jauge à gauche. Le moteur RAMJET 350 n'est pas fourni avec une jauge d'huile. Si vous utilisez le carter d'huile fourni avec le moteur, il est recommandé d'utiliser la jauge d'huile et le tube de jauge d'huile de numéros de référence respectifs 10190942 et 12552920. Si le carter d'huile ZZ5 est posé sur ce moteur, il est recommandé d'utiliser la jauge d'huile et le tube de numéros de référence respectifs 12551144 et 12551154. Ce tube de jauge d'huile se boulonne sur le bloc moteur en dessous de la surface de plancher, et peut être utilisé avec les circuits d'échappement de type à collecteur.

Pompe à essence / conduites de carburant / filtre à essence :

Le moteur RAMJET 350 ne comprend pas de pompe à carburant. Le circuit d'alimentation de l'application doit pouvoir fournir au moins 35 gallons/h de carburant. La pression de la pompe à carburant doit se situer entre 43-55 lb/po².

Pour que le moteur RAMJET 350 fonctionne correctement, il est essentiel que la pression du carburant soit correcte. Le tableau ci-dessous indique les pressions de carburant prévues dans diverses conditions de fonctionnement.

Ralenti =	262-276 kPa (38-40 lb/po ²)
Vitesse de croisière =	276-290 kPa (40-42 lb/po ²)
Papillon grand ouvert =	290-303 kPa (42-44 lb/po ²)

Pour un véhicule Chevrolet, il est recommandé d'utiliser pour ce système un circuit d'alimentation en carburant dans le réservoir. Le circuit d'alimentation de tout véhicule Chevrolet initialement doté d'un système à injection dans la lumière d'admission et un moteur V8 est un choix possible. Les pompes à carburant Chevrolet de série qui seraient de bon candidats incluent la pompe à carburant pour camion Vortec, ou une pompe à carburant LT1 Camaro/Firebird. Les systèmes à carburateur et à transmission de carburant par injection monopoint ne répondent pas aux besoins d'un système à injection dans la lumière d'admission. Ils n'assurent pas suffisamment de pression à la rampe d'alimentation.

Un circuit d'alimentation dans le réservoir est recommandé pour de nombreuses raisons. D'abord, un circuit dans le réservoir de série Chevrolet garantit l'absence de problèmes de blocage par la vapeur. Le blocage par la vapeur constitue un problème courant dans les pompes à essence en ligne. En présence de température ambiante élevée, le carburant dans la conduite peut se vaporiser. Une pompe à essence en ligne ne peut pas faire passer la vapeur aux concentrations requises par le système d'injection. Cela entraîne une chute de pression de carburant à la rampe d'alimentation, ce qui cause de nombreux problèmes. Ces problèmes sont les suivants : ratés ou affaissement, et dans le pire cas un moteur calé et un moteur qui ne démarre pas. L'utilisation d'un circuit d'alimentation dans le réservoir Chevrolet assure l'absence de ce problème pour votre véhicule. Ensuite, le système de transmission de carburant dans le réservoir sera doté d'une conduite de retour raccordée à la verticale dans le transmetteur de niveau de carburant. La conduite de retour est requise pour assurer le bon fonctionnement de ce système. Le régulateur de carburant, monté sur la rampe d'alimentation, maintient la bonne pression de carburant transmise aux injecteurs selon la dépression dans la tubulure d'admission. Généralement, la pompe à essence transmet le carburant à la rampe d'alimentation à une pression supérieure à celle requise. Le régulateur purge alors le carburant en excès afin de maintenir la bonne pression. Le carburant purgé doit être retourné au réservoir d'essence par la conduite de retour. Enfin, les réservoirs à essence utilisés avec les systèmes de carburant dans le réservoir comportent des chicanes. Ces chicanes permettent à la pompe à essence de disposer de carburant tant que le réservoir en renferme une quantité suffisante. Les chicanes empêchent le carburant de se retrouver sur un seul côté du réservoir lors de virages serrés ou à l'arrière du réservoir durant des accélérations rapides.

Si vous posez cet ensemble dans un véhicule équipé à l'origine d'un carburateur, il est également nécessaire d'améliorer les conduites de carburant. Les conduites doivent être en mesure de soutenir la pression accrue requise par le système d'injection carburant. Ne pas utiliser de raccords cannelés ou de colliers à vis sans fin pour fixer les conduites de carburant sous pression. S'assurer également que les conduites en caoutchouc sont remplacées par des tuyaux flexibles suffisamment robustes; un tuyau flexible d'alimentation Aeroquip AQP avec une gaine tressée en acier inoxydable par exemple. Finalement, acheminer soigneusement les conduites de carburant pour s'assurer qu'elles ne sont pas trop près du système d'échappement et qu'elles sont protégées des débris ou des obstructions de la route.

Le filtre à essence recommandé pour ce système est la pièce GM 25171792 (AC, numéro de référence GF626). Il s'agit d'un filtre de 10 microns pourvu d'un raccord de 3/8 po à chaque extrémité. Le filtre à essence doit être posé entre le réservoir à essence, habituellement près de ce dernier, et la rampe d'alimentation.

Collecteurs d'échappement :

Un moteur RAMJET 350 peut être équipé d'un système de collecteur d'échappement pour des performances maximales dans des applications pour lesquelles un système ne produisant pas d'échappement est légal. Tous les développements d'étalonnage ont été effectués avec un collecteur d'échappement posé sur nos moteurs de présérie. La pose d'une tubulure d'échappement de type production peut augmenter la contre-pression et nuire au rendement du système. La configuration recommandée de collecteur d'échappement comporte des conduits primaires de 1-3/4 po de diamètre, de 32 à 36 pouces de long, avec des collecteurs de 3 po de diamètre. Utiliser des tuyaux d'échappement arrière de 2 po 1/2 avec un tube d'équilibrage (tuyau en « H ») et des silencieux à faible obstruction.

Régimes de fonctionnement du moteur RAMJET 350

L'usage prévu du véhicule dans lequel le moteur RAMJET est posé permet de choisir l'ensemble total approprié au véhicule. Pour une utilisation la plus efficace du moteur, il faut essayer de concevoir le reste du véhicule afin de déterminer la plage de régime la plus efficace du moteur. Il faut tenir compte du poids, du train d'engrenage (boîte de vitesses et essieu) du véhicule, ainsi que de sa vitesse et de la géographie de l'endroit où il sera le plus souvent conduit (montagnes ou plaines).

Le moteur RAMJET 350 développe sa puissance maximale à 5100 tr/min. Une bonne méthode empirique consiste à rouler à une vitesse de croisière correspondant à un régime compris entre 60 et 70 % du régime maximal. Dans cet exemple, la vitesse de croisière optimale correspond à un régime compris entre 1500 et 2000 tr/min. Les véhicules plus lourds (plus de 3500 lb) fonctionnent mieux à un régime situé dans la partie supérieure de cette plage, alors que les véhicules plus légers (moins de 3000 lb) fonctionnent mieux à un régime situé dans la partie inférieure de cette plage.

Facteurs ayant une incidence sur le rapport de démultiplication final :

- Taille des pneus
- Rapport de démultiplication d'essieu
- Rapports de démultiplication de la boîte de vitesses (avec ou sans surmultipliée)
- Convertisseurs de couple (sélection de la vitesse de calage et/ou avec ou sans fonction de verrouillage)

Certaines formules passe-partout sont indiquées ci-dessous pour faciliter les prises de décisions informées. Insérer les chiffres dans ces formules pour faciliter la prise de décision quant à ce qui est le plus approprié à l'application.

Diamètre des pneus = En pouces

Vitesse = Vitesse de croisière typique (en mi/h)

Rapport = Rapport de démultiplication final (rapport de démultiplication de la boîte de vitesses x rapport d'essieu)

Constante = 336

Rapport de démultiplication final = (TR/MIN x Diamètre des pneus) divisé par (MI/H x 336)
--

MI/H = (TR/MIN x Diamètre des pneus) divisé par (Rapport de démultiplication final x 336)
--

TR/MIN = (MI/H x Rapport de démultiplication final x 336) divisé par (Diamètre des pneus)
--

Diamètre des pneus = (MI/H x Rapport de démultiplication final x 336) divisé par (TR/MIN)
--

Exemple : utilisation de la première formule pour évaluer le rapport de démultiplication :

$$\frac{2000 \text{ tr/min} \times 30 \text{ po (diamètre des pneus)}}{65 \text{ mi/h} \times 336} = 2.74 \text{ (rapport de démultiplication final)}$$

IMPORTANT : ne pas oublier d'introduire les rapports de démultiplication de la surmultipliée dans le calcul final.

À titre d'exemple, avec la boîte de vitesses 4L60E, le rapport de surmultipliée est de 0,71.

Pour obtenir un rapport de démultiplication final de 2,74, le calcul est le suivant :

$$\frac{2.74 \text{ (rapport de démultiplication final)}}{0.7 \text{ (rapport de démultiplication de la surmultipliée)}} = 3.91 \text{ (rapport d'essieu estimé)}$$

À ce stade, le rapport estimé peut ne pas correspondre au rapport facilement obtainable. Il faut alors revoir les options de rapports supérieurs ou inférieurs en fonction des autres facteurs indiqués ci-dessus (préférence personnelle et habitudes de conduite, géographie, vitesse moyenne générale du véhicule, poids final du véhicule, etc.).

Ne pas oublier que les exemples ne sont donnés ici qu'à titre de démonstration et les résultats réels peuvent différer. Le consommateur assume toute la responsabilité de déterminer les conditions d'utilisation réelles.

Bougies / fils de bougies / ensemble de fils électriques isolants :

Les culasses en fonte Vortec du moteur RAMJET 350 sont équipées de bougies droites. Contrôler le dégagement des bougies et des fils lors de l'utilisation de collecteur d'échappement ou de collecteurs de marché secondaire conçus pour des bougies à angles.

Le moteur RAMJET 350 inclut des fils de bougies d'allumage, référence GM 12361051. Ces robustes fils viennent équipés de soufflets de bougie 90°, et du logo Chevrolet Performance Parts estampé sur les fils.

Chevrolet Performance Parts vend des ensembles de fils isolés pour bougies d'allumage, numéro de référence GM 12496806. Les supports dans cet ensemble sont en inox, avec un logo « nœud papillon » gravé au laser à l'intérieur. Cet ensemble peut être utilisé avec le RAMJET 350. Les supports sont boulonnés sur le côté des culasses.

Outils de diagnostic et d'entretien :

Un outil de code d'anomalie est inclus avec le moteur RAMJET 350. Ce simple dispositif permet de lire tous les codes d'anomalie stockés dans le module de commande du moteur (ECM) de même qu'un réglage du calage de l'allumage de base. Si vous souhaitez utiliser plus de fonctionnalité que ce que l'outil de code d'anomalie peut fournir, vous pouvez acheter un outil d'analyse TechMate. Cet outil est similaire sur le plan fonctionnel à un Tech 1 ou Tech 1A utilisé chez un concessionnaire GM. Pour acheter un outil TechMate, il suffit d'appeler ou d'écrire à :

Rinda Technologies Inc.
 4563 N. Elston Avenue
 Chicago, IL 60630
 (773) 736-6633

Spécifications de couple de serrage du moteur RAMJET 350 :

Boulon/vis de retenue d'arbre à cames.....	106 lb po / 12 Nm
Boulon/vis de pignon d'arbre à cames	21 lb pi / 28 Nm
Écrou de bielle	Allongement du boulon de 0,006 po préféré 20 lb/pi
.....	+ 55° supplémentaire (45 lb/pi si aucun étalon d'angle
.....	n'est disponible) / 27 N.m + 55° supplémentaire
.....	(61 Nm si aucun étalon d'angle n'est disponible)
Boulon d'amortisseur de vibrations	74 lb pi / 100 Nm
Goujon, boulon/vis à chapeau de palier de vilebrequin	67 lb pi / 90 Nm
Écrou/boulon/vis de carter de joint à huile arrière de vilebrequin.....	11 lb pi / 15 Nm
Boulon/vis de culasse.....	65 lb pi / 88 Nm
Boulon/vis d'allumeur	18 lb pi / 25 Nm
Bouchon de canalisation d'huile de bloc-moteur.....	15 lb pi / 20 Nm
Boulon/vis de fixation de module de commande du moteur.....	106 lb po / 12 Nm
Sonde de température du liquide de refroidissement du moteur	106 lb po / 12 Nm
Boulon/vis de couvercle avant de moteur	106 lb po / 12 Nm
Boulon/vis de volant moteur.....	74 lb pi / 100 Nm
Boulon/vis de régulateur de pression de carburant.....	84 lb po / 9.5 Nm
Écrou de conduite de sortie de régulateur de pression de carburant	13 lb pi / 17.5 Nm
Boulon/vis de rail d'alimentation en carburant.....	88 lb po / 10 Nm
Boulon/vis de soupape régulatrice de l'air de ralenti.....	28 lb po / 3.2 Nm
Boulon/vis de support de bobine d'allumage.....	16 lb pi / 22 Nm
Goujon et boulon/vis de tubulure d'admission	
Première passe	9 lb pi / 12 Nm
Deuxième passe.....	11 lb pi / 15 Nm
Capteur de détonations	14 lb pi / 19 Nm
Boulon/vis de capteur de pression absolue de tubulure	55 lb po / 6 Nm
Boulon/vis d'adaptateur de filtre à huile	18 lb pi / 25 Nm
Boulon/vis de tube d'indicateur de niveau d'huile	106 lb po / 12 Nm
Ensemble carter d'huile	
Vis/boulon/écrou d'angle	15 lb pi / 20 Nm
Boulon/vis de longeron	106 lb po / 12 Nm
Écrou de chicane d'huile	30 lb pi / 40 Nm
Bouchon de vidange de carter d'huile.....	15 lb pi / 20 Nm
Boulon/vis de pompe à huile sur chapeau de palier arrière de vilebrequin.....	66 lb pi / 90 Nm
Boulon/vis de couvercle de pompe à huile.....	106 lb po / 12 Nm
Sonde d'oxygène.....	20 lb pi / 27 Nm
Bougie	15 lb pi / 20 Nm (siège conique)
Boulon/vis de démarreur	35 lb pi / 48 Nm
Boulon/vis de capteur de position de papillon	18 lb po / 2 Nm
Boulon/vis de corps de papillon.....	11 lb po / 15 Nm
Boulon/vis de retenue de guide de poussoir de soupape	18 lb pi / 25 Nm
Boulon/vis de pompe à eau.....	30 lb pi / 40 Nm

Liste des pièces de rechange :

Bloc-moteur.....	Ne peut-être réparé séparément	Bouchon, vidange de refroidissement	
Moteur, Service partiel	12556121	de bloc-moteur	14084945
Bouchon de trou de bloc-moteur.....	88891749	Palier de vilebrequin 1, 2, 3, 4	12531215
Palier d'arbre à came n° 1.....	12453170	Palier de vilebrequin 5	89060460
Palier d'arbre à came n° 2, 5.....	12453171	Culasse (complète).....	12558060
Palier d'arbre à came n° 3, 4.....	12453172	Culasse, avec goujons.....	12528913
Boulon / vis de chapeau de palier		Soupape d'admission.....	10241743
de vilebrequin.....	12561388	Soupape d'échappement.....	12550909
Goujon, chapeau de palier de vilebrequin	12561389	Ressort de soupape.....	10212811
		Clavette de tige de soupape	24503856



Joint d'huile de tige de soupape de l'admission	10212810
Joint d'huile de tige de soupape de l'échappement.....	12564852
Chapeau de ressort de soupape.....	10241744
Joint de culasse	14096405
Boulon / vis de culasse (long).....	10168525
Boulon / vis de culasse (moyen).....	10168526
Boulon / vis de culasse (court).....	10168527
Bouchon de chemise d'eau de culasse	444662
Goupille de position de culasse	585927
Vilebrequin	10243070
Goupille de joint d'huile arrière de vilebrequin.....	9441003
Logement, joint d'huile arrière de vilebrequin.....	12554336
Goujon de joint d'huile arrière de vilebrequin.....	14080362
Joint d'huile arrière de vilebrequin	12554337
Logement, joint d'huile arrière de vilebrequin.....	12554312
Goujon de joint d'huile arrière de vilebrequin.....	14080362
Joint d'huile arrière de vilebrequin	12554314
Joint d'huile arrière de vilebrequin	12555771
Boulon / vis, joint d'huile arrière de vilebrequin.....	14101030
Boulon / vis, joint d'huile arrière de vilebrequin.....	14101032
Goujon de joint d'huile arrière de vilebrequin.....	14101058
Écrou de joint d'huile arrière de vilebrequin.....	10108645
Déflexeur d'huile de vilebrequin	94668472
Écrou, déflexeur d'huile de vilebrequin	9442946
Amortisseur de vibrations de torsion.....	10243271
Clavette, amortisseur de vibrations de torsion ...	106751
Volant moteur.....	14088648
Couronne dentée de volant moteur	03991408
Boulon/vis, volant moteur.....	12337973
Goupille de positionnement du volant moteur	10046031
Bielle	10108688
Boulon/vis, bielle	461372
Écrou, bielle	3866766
Piston avec attache (de série)	88894280
Piston avec attache (0,127 mm surdimensionné).....	88894281
Piston avec attache (0,5 mm surdimensionné) ...	88894282
Ensemble de segments de piston (de série) ..	12522848
Ensemble de segments de piston (0,127 mm surdimensionné)	12533559
Ensemble de segments de piston (0,5 mm surdimensionné)	12524205
Coussinet de bielle.....	12523925
Carter	10242245
Bouchon de vidange de carter d'huile.....	11562588
Joint, Carter d'huile	10108676
Écrou de carter d'huile	09440046
Boulon/vis, carter d'huile	9440033

Goujon de carter d'huile	14080362
Renfort, Carter d'huile	12553058
Renfort, Carter d'huile	12553059
Crépine, pompe à huile	12550042
Pompe à huile	93442037
Couvercle de pompe à huile	10168528
Clapet de décharge de pompe à huile	88984201
Bouchon, clapet de décharge de pompe à huile	3704871
Ressort, clapet de décharge de pompe à huile	14024240
Goupille de clapet de décharge de pompe à huile	12551790
Boulon/vis de couvercle de pompe à huile ...	11517518
Arbre d'entraînement de pompe à huile.....	3998287
Retenue d'arbre d'entraînement de pompe à huile	3764554
Boulon/vis de pompe à huile.....	10046007
Goupille de positionnement de pompe à huile	12554553
Bouchon de canalisation d'huile de bloc-moteur	14091563
Bouchon de canalisation d'huile de bloc-moteur	10110897
Bouchon de canalisation d'huile de bloc-moteur	12338136
Bouchon de canalisation d'huile de bloc-moteur	14091563
Bouchon de canalisation d'huile de bloc-moteur	12338136
Bouchon de canalisation d'huile de bloc-moteur	3738198
Bouchon de remplissage de l'huile	14084945
Couvercle avant du moteur.....	93439687
Joint d'huile avant de vilebrequin.....	10228655
Boulon / vis de couvercle avant de moteur ...	10213293
Boulon / vis de couvercle avant de moteur ...	12551135
Bague de couvercle avant du moteur	10213294
Pompe à eau, avec joint	88894341
Obturbateur du boîtier de thermostat de liquide de refroidissement du moteur.....	12542187
Joint de couvercle de pompe à eau	12555493
Joint de pompe à eau	3754587
Boulon / vis de pompe à eau	9439637
Boulon / vis de pompe à eau	15991978
Goujon de pompe à eau	14097492
Arbre à cames.....	14097395
Goupille de positionnement de pignon d'arbre à cames	12554553
Retenue d'arbre à cames.....	10168501
Boulon/vis de retenue d'arbre à cames	14093637
Pignon, arbre à cames.....	12552129
Pignon, vilebrequin	14088784
Boulon/vis de pignon d'arbre à cames.....	9424877
Chaîne de distribution	14088783
Bouchon de trou de palier arrière de l'arbre à cames	10241154



Tige de poussoir de soupape.....	10241740	Axe de pignon d'allumeur	456652
Poussoir de soupape	17120735	Rondelle de butée d'arbre d'allumeur	1977937
Guide de poussoir de soupape	12550002	Rondelle d'arbre d'allumeur	1965864
Retenue de guide de poussoir de soupape	14101116	Écran de capteur d'impulsions d'allumeur	10496783
Culbuteur de soupape.....	19210724	Joint d'allumeur	10108445
Écrou de culbuteur de soupape	12557390	Pince, allumeur	10096197
Bille de culbuteur de soupape.....	10144053	Boulon / vis d'allumeur	14091544
Couvre-culbuteurs.....	12355350	Détecteur de détonations.....	10456126
Boulon/vis de couvre-culasse	12356818	Bobine d'allumage	12598697
Joint de couvre-culasse	10046089	Support de bobine d'allumage	10470094
Bougie d'allumage.....	5614210	Support de bobine d'allumage	10470624
Goupille de positionnement		Vis/écrou, support de bobine d'allumage	11503051
de boîte de vitesses	01453658	Écrou, support de bobine d'allumage	10180301
Moteur (Service partiel).....	12556121	Fil de bobine d'allumage	12097982
Soupape de recyclage des gaz de carter		Régulateur de pression de carburant.....	17123897
(RGC).....	25095452	Boulon/vis de régulateur de pression	
Rondelle isolante, soupape RGC.....	10240678	de carburant.....	11561767
Flexible, recyclage des gaz de carter (RGC)....	1255693	Flexible, régulateur de pression	
Connecteur, flexible de soupape RGC.....	336018	de carburant.....	12557247
Tubulure d'admission	12489371	Module de commande du moteur	88962717
Pare-éclaboussure d'huile de tubulure		Support de montage du module	
d'admission	10128305	de commande du moteur	1248958
Boulon / vis de tubulure d'admission	11588711	Boulon, support de montage du module	
Joint de tubulure d'admission	89017465	de commande du moteur	11509024
Boulon / vis de tubulure d'admission	12550027	Écrou, support de montage du module	
Raccord, dépression de la tubulure		de commande du moteur	91177733
d'admission	14082470	Ensemble capteur de pression absolue	
Corps de papillon	17096144	de tubulure d'admission	12614973
Capteur de position de papillon	17123852	Joint de capteur de pression absolue	
Soupape de commande d'air de ralenti	17113209	de tubulure d'admission	16194007
Joint de soupape de commande d'air		Support, capteur de pression absolue	
de ralenti	17082049	de tubulure d'admission	12489583
Nécessaire de boulon/vis d'air de ralenti	17113168	Boulon, capteur de pression absolue	
Joint de corps de papillon	12570168	de tubulure d'admission	12489598
Boulon/vis de corps du papillon	11588714	Sonde de température de liquide	
Ensemble d'injecteur de carburant		de refroidissement du moteur	15326386
multipoint.....	19244617	Support, fusible multi-usage	10029398
Rampe d'injection de carburant multipoint....	12553918	Filtre à carburant.....	25171792
Régulateur de pression de carburant.....	17123897	Faisceau de câbles de corps de papillon	12181943
Boulon, régulateur de pression		Connecteur de module de commande	
de carburant.....	11561767	du moteur	12129228
Flexible, régulateur de pression		Retenue de faisceau de câbles de module	
de carburant.....	12557247	de commande du moteur	12129231
Connecteur, conduite d'essence	12489599	Retenue de faisceau de câbles de module	
Joint, raccord de conduite d'essence.....	12489600	de commande du moteur	12129234
Boulon/vis d'injection de carburant	11518061	Retenue de faisceau de câbles de module	
Boîtier d'allumeur	10475771	de commande du moteur	12129232
Broche de capteur d'impulsions d'allumeur	454666	Retenue de faisceau de câbles de module	
Chapeau d'allumeur.....	19166099	de commande du moteur	12129233
Boulon/vis du chapeau d'allumeur	10469669	Connecteur de fusible	12102746
Arbre d'allumeur.....	10491354	Capot de fusible de faisceau de câbles	
Rotor d'allumeur.....	10477219	du moteur	12186406
Module d'allumeur	10482830	Fusible de faisceau de câbles.....	88909754
Boulon/vis d'allumeur.....	10469668	Fusible de faisceau de câbles.....	12092079
Noyau de capteur d'impulsions d'allumeur ...	10469667	Connecteur de relais de pompe	
Bobine de capteur d'impulsions d'allumeur ..	10470794	à carburant.....	15306045
Retenue de capteur d'impulsions d'allumeur	10493403	Relais de pompe à carburant.....	12177233
Pignon d'arbre d'allumeur	19052845	Connecteur de relais d'allumage	15306045



Relais d'allumage.....	12177233
Connecteur de liaison de données	12125676
Connecteur de liaison de données	12117372
Connecteur de pompe à carburant	12085491
Connecteur de capteur de pression absolue de tubulure d'admission	88987997
Connecteur de bobine d'allumage	12101896
Fil de bobine d'allumage	12097982
Connecteur de sonde de température de liquide de refroidissement du moteur	88987993
Connecteur d'air de ralenti.....	13584433
Connecteur de capteur de position de papillon.....	88988301
Connecteur de module d'allumage par allumeur	13584433
Connecteur d'injecteur de carburant.....	12085491
Connecteur de faisceau de carrosserie en ligne	12101855
Connecteur de détecteur de détonations.....	12102621
Faisceau de câbles du moteur.....	88961967
Ensemble câble de bougie d'allumage	12361051
Borne d'accumulateur du câble de boîte de vitesses	12489601
Écrou de borne de câble de boîte de vitesses	12489602
Rondelle de la borne de câble de boîte de vitesses (barré)	12489603
Support de câble de boîte de vitesses.....	12489585
Boulon de support de câble de boîte de vitesses	11518061
Écrou de support de câble de boîte de vitesses	11516075
Support de câble de boîte de vitesses et d'accélérateur	12489586
Boulon de support de câble de boîte de vitesses et d'accélérateur	11518061
Écrou de support de câble de boîte de vitesses et d'accélérateur	91177733
Support de montage de câble.....	12489587
Boulon de support de montage de câble	11518061
Pompe à eau (avec joints)	88894341
Joint de pompe à eau	3754587
Boulon, pompe à eau.....	9442012
Raccord de tuyauterie de la sonde d'oxygène	15156588
Ensemble sonde de l'oxygène	19178918
Sonde de température d'air d'admission	25036751
Connecteur de sonde d'oxygène	13582063
Connecteur de capteur de pression absolue de tubulure d'admission	12102620



Especificaciones de motor RAMJET 350 19355815

Número de parte de especificaciones 19355813

Gracias por elegir Chevrolet Performance como su fuente de alto desempeño. Chevrolet Performance está comprometido a proporcionar tecnología de desempeño comprobada e innovadora que en realidad... sea más que sólo potencia. Las partes de Chevrolet Performance están diseñadas, desarrolladas y probadas para exceder sus expectativas de ajuste y función. Por favor consulte nuestro catálogo respecto al Centro Autorizado de Chevrolet Performance más cercano a usted o visite nuestra página en Internet www.chevroletperformance.com.

Esta publicación brinda información general sobre los componentes y procedimientos que pueden ser útiles al instalar o dar servicio a un motor RAMJET 350. Por favor lea esta publicación completa antes de comenzar el trabajo. Además, por favor verifique que todos los componentes indicados a continuación estén incluidos en el juego.

La siguiente información se divide en las siguientes secciones: contenido del paquete, información de componente, especificaciones de motor RAMJET 350, instrucciones de instalación para los componentes incluidos en este juego, partes adicionales que puede necesitar comprar, especificaciones de apriete, y una lista de partes de servicio.

El motor RAMJET 350 está basado en el motor marino electrónico de inyección de combustible de puerto de Chevrolet. Incorpora tecnología moderna en un paquete que se puede instalar en aplicaciones donde se usaba originalmente un motor V8 de bloque pequeño Chevrolet de 265-400ci. El motor RAMJET 350 incluye un bloque completamente ensamblado y culatas, cárter de aceite, amortiguador de torsión, bomba de agua, múltiple de admisión, Módulo de control de motor (ECM) completamente calibrado, arnés de cableado, todos los sensores necesarios, y distribuidor. Este motor se ensambla utilizando componentes nuevos de primera calidad.

El sistema de operación RAMJET es un sistema de control de inyección de combustible muy avanzado que usa una cantidad mínima de entradas al módulo de control del motor (ECM) para facilidad de instalación. Debido a esto, existen ciertas condiciones de operación que se deben entender para asegurar la operación adecuada.

Por ejemplo, debido a la variedad de aplicaciones y usos, este sistema no tiene provisiones para entrada de velocidad de vehículo, entrada de rango de transmisión (automática) o entrada de pedal de embrague (transmisión manual) al ECM. Si el Sensor de posición de acelerador (TPS) lee un acelerador cerrado con el motor en operación, el controlador del motor no tiene manera de determinar si se está conduciendo en el camino o en marcha en vacío en Park (estacionamiento) o Neutral. Si el conductor opera el motor de una manera que disminuya la velocidad del motor debajo de la marcha en vacío deseada, la reacción normal del módulo de control es intentar mantener la velocidad del motor arriba de las RPM mínimas ajustando el Control de aire de marcha en vacío (IAC) y la sincronización de ignición.

Si el conductor continúa operando el vehículo en esta manera de "baja velocidad forzada", el IAC y la chispa pueden continuar incrementando hasta que estén en máximo. Si la carga se retira repentinamente (pedal de embrague presionado, palanca de cambios movida a neutral), la velocidad del motor estará arriba de la marcha en vacío deseada. En ese punto, la velocidad del motor comenzará a disminuir hasta que regrese a la velocidad de marcha en vacío deseada. Para evitar conducir bajo estas condiciones, cambie la transmisión a la siguiente velocidad menor para prevenir "arrastrar" el motor debajo de la velocidad de marcha en vacío deseada.

Operar el motor RAMJET en muy bajas RPM del motor y condiciones de bajo vacío tampoco es aconsejables desde un punto de vista de economía de combustible. El sistema electrónico de inyección de combustible RAMJET es un sistema de velocidad y densidad de aire (administración de combustible de "densidad de velocidad").

Los sensores proporcionan al ECM la información básica para la porción de administración de combustible de su operación. Las señales al ECM establecen la velocidad de motor y los factores de densidad de aire. La señal de velocidad del motor proviene del módulo de control de ignición (IC). El ECM usa esta información para determinar la "velocidad" o factor de RPM para administración de combustible y chispa.

El sensor de Presión absoluta del múltiple (MAP) contribuye con el factor de densidad. Conforme la presión del múltiple de admisión se incrementa, disminuye el vacío. La densidad de aire en el múltiple de admisión también se incrementa conforme se necesita combustible adicional. El sensor MAP envía esta información de presión al ECM, y el ECM incrementa la cantidad de combustible inyectado, al incrementar el ancho de pulso del inyector. Conforme la presión del múltiple disminuye, incrementa el vacío, y disminuye la cantidad de combustible. Estas dos entradas, MAP y RPM, son los determinantes principales de la mezcla de aire/combustible entregada por el sistema de inyección de combustible. Los sensores e interruptores restantes proporcionan entradas eléctricas al ECM, que se usan para modificación de la mezcla de aire/combustible, así como otras funciones de control de ECM, tal como el control de marcha en vacío.

Este paquete está diseñado para proporcionarle un motor de inyección de combustible completamente calibrado. El motor que recibirá le proporcionará varios beneficios sobre un motor carburado. Estos beneficios incluyen capacidad de conducción mejorada, mejor economía de combustible, y desempeño incrementado a través de todo el rango de RPM. Estos beneficios son el resultado de control preciso de combustible e ignición a través del rango completo de RPM.

El ECM es el centro de control del sistema de inyección de combustible. Controla el sistema de medición de combustible, la sincronización de ignición, velocidad de marcha en vacío, y diagnósticos a bordo para las funciones del motor. Busca constantemente en la información de varios sensores y controla los sistemas que afectan el desempeño del motor. El ECM también realiza la función de diagnóstico del sistema. Puede reconocer problemas de operación y almacenar códigos de problema de diagnóstico, que identifican las áreas de problema para ayudar al técnico a realizar reparaciones. Consulte el manual de servicio RAMJET de bloque pequeño, número de parte 88962723, incluido en este juego, para mayor información sobre el uso de la función de diagnóstico del ECM.

El ECM controla el avance de chispa para todas las condiciones de conducción. Monitorea las señales de entrada desde los siguientes componentes como parte de su función de control de ignición para determinar la sincronización de ignición requerida:

- Módulo de control de ignición (IC)
- Sensor de temperatura del refrigerante del motor (ECT)
- Sensor de presión absoluta del múltiple (MAP)
- Sensor de posición del acelerador (TP)
- Sensor de detonación (KS)

La función del sistema de medición de combustible es entregar la cantidad correcta de combustible al motor bajo todas las condiciones de operación. El combustible es descargado al motor por los inyectores de combustible individuales montados en el múltiple de admisión, cerca de cada puerto de admisión. El ECM busca en entradas desde varios sensores para determinar cuánto combustible suministrar al motor. El combustible es descargado bajo una de varias condiciones, llamadas "modos". Estos modos incluyen el modo de arranque, modo de eliminación de inundación, modo de operación, modo de aceleración, modo de corte de combustible, y modo de reducción de RPM. Consulte el manual de servicio respecto a información adicional sobre el ECM y las características de cada modo.

El motor RAMJET 350 está fabricado en herramientas de producción actuales; en consecuencia puede encontrar diferencias entre el ensamble de motor RAMJET 350 y versiones previas del V8 de bloque pequeño. En general, elementos tales como los montajes de motor, transmisiones auxiliares, múltiples de escape, etc. se puede transferir a un motor RAMJET 350 cuando esté instalado en un vehículo equipado originalmente con un motor V8 de bloque pequeño. Sin embargo, como se indica en las siguientes secciones, puede haber diferencias significantes en el patrón de pernos del volante de inercia, la bomba de agua, el amortiguador de tensión, etc., entre un motor RAMJET 350 y un motor V8 de bloque pequeño anterior. Estas diferencias pueden requerir modificaciones o componentes adicionales no incluidos con el motor RAMJET 350. Cuando instale un motor RAMJET 350 en un vehículo no equipado originalmente con un V8 de bloque pequeño, puede ser necesario adaptar o fabricar varios componentes para los sistemas de enfriamiento, combustible, eléctrico y de escape. Debido a la amplia variedad de vehículos en los que se puede instalar el motor RAMJET 350, algunos procedimientos y recomendaciones pueden no aplicar a aplicaciones específicas.

Estas especificaciones están diseñadas como un suplemento a los manuales de servicio de Camioneta Chevrolet C/K 1998, ya que dar servicio al motor de la Camioneta C/K 1998 es muy similar al motor RAMJET 350. No se pretende que estas especificaciones reemplace las prácticas de servicio completas y detalladas explicadas en los manuales de servicio de fábrica.

Observe todas las precauciones de seguridad y advertencias de los manuales de servicio durante la instalación de un motor RAMJET 350 en cualquier vehículo. Utilice protección para los ojos y ropa de protección adecuada. Soporte el vehículo firmemente con los puntales hidráulicos cuando trabaje bajo o alrededor de éste. Sólo use las herramientas adecuadas. Tenga mucha precaución cuando trabaje con líquidos y materiales inflamables, corrosivos y peligrosos. Algunos procedimientos requieren equipo y habilidades especiales. Si no tiene la capacitación, experiencia, y herramientas apropiadas para realizar cualquier parte de esta conversión con seguridad, este trabajo debe ser realizado por un profesional.



Información Legal y de Emisiones

Se pretende que esta publicación proporcione información sobre el motor RAMJET 350 y los componentes relacionados. Este manual también describe los procedimientos y modificaciones que pueden ser útiles durante la instalación de un motor RAMJET 350. No está diseñada para sustituir a los exhaustivos manuales de servicio y catálogos de partes que cubren los motores y componentes Chevrolet. Más bien, está diseñada para brindar información complementaria en áreas de interés para los entusiastas del "hágalo usted mismo" y los mecánicos.

Esta publicación concierne a motores y vehículos que se utilizan fuera de las carreteras públicas, excepto cuando se indica específicamente lo contrario. La ley federal restringe el retiro de cualquier parte de un sistema de control de emisiones requerido por orden federal de los vehículos de motor. Más aún, muchos estados han promulgado leyes que prohíben alterar o modificar cualquier sistema de control de emisiones o ruidos. Los vehículos que no son operados en carreteras públicas generalmente están exentos de la mayoría de las normas, al igual que algunos vehículos de interés especial y pre-emisiones. Se le exhorta atentamente al lector verificar todas las leyes locales y estatales aplicables.

Muchas de las partes descritas o enlistadas en este manual se comercializan para para su aplicación fuera de carretera, y están etiquetadas con el "Aviso sobre Partes Especiales" que se reproduce aquí:

Aviso de Partes Especiales

Esta parte ha sido diseñada específicamente para aplicación fuera de carretera únicamente. Debido que la instalación de esta parte puede afectar el desempeño del control de emisiones de su vehículo o dejarlo fuera de certificación según los Estándares de seguridad de vehículos de motor, no se debe instalar en un vehículo que se utilice en cualquier calle o carretera. Adicionalmente, cualquier aplicación tal puede afectar adversamente la cobertura de la garantía de tales vehículos para aplicación en calles o carreteras.

La información contenida en esta publicación se presenta sin ninguna garantía. El usuario asume completamente todo el riesgo por su uso. El diseño de componentes específicos, los procedimientos mecánicos, y las calificaciones de los lectores están más allá del control del editor, y por lo tanto el editor declina cualquier responsabilidad incurrida en conexión con el uso de la información provista en esta publicación.

Chevrolet, Chevy, el Emblema de Corbatín Chevrolet, General Motors, y GM son marcas comerciales registradas de General Motors Company.



Contenido del paquete

<u>Partida</u>	<u>Descripción</u>	<u>Cantidad</u>	<u>Número de parte</u>
1	Conjunto del motor	1	19355814
2	Especificaciones	1	19355813
3	Manual de servicio RAMJET de bloque pequeño	1	88962723
4	Herramienta de código de problema de diagnóstico (Herramienta DTC)	1	12489400
5	Ensamble de bobina de ignición	1	12598697
6	Cable de bobina de ignición	1	12097982
7	Juego de cable de bujía	1	12361051
8	Arnés de cableado	1	88961967
9	Bujía	8	5614210

Información sobre los componentes:

Múltiple de admisión 350 RJ:

Este juego viene con un múltiple de admisión de inyección de combustible de puerto de Chevrolet Performance Parts diseñado especialmente para el motor RamJet 350. Este múltiple de admisión de aluminio fundido viene con dos orificios en la parte posterior del pleno. El orificio en la cara trasera del pleno está roscado para un accesorio de 3/8" NPT y se debe usar para un puerto de vacío para operar el reforzador de freno. Está cerca del distribuidor de forma que puede ser benéfico instalar este accesorio después que se cebe el aceite del motor y se instale el distribuidor. El segundo orificio está en el lado derecho del pleno y está roscado para 1/4" NPT. Este orificio se usa para el puerto de vacío que suministra vacío al regulador de presión de combustible. El regulador de presión de combustible se instala sobre el riel de combustible trasero izquierdo y usa un niple macho -6 AN en la parte inferior. Ésta es la línea de retorno de combustible que será necesaria para adaptar a su aplicación. El riel de combustible derecho tiene un orificio de 3/8" NPT que se usa para la entrada de combustible. Necesitará determinar qué se necesitará para adaptar el accesorio de entrada a su aplicación.

Nota: Si instala este paquete en un vehículo que se equipó originalmente con un carburador o sistema TBI, se necesitarán actualizar las líneas de combustible. Las líneas de combustible deben poder manejar el incremento de presión requerido por el sistema de inyección de combustible. No use ningún accesorio con lengüetas o sujetadores de gusano para asegurar las líneas de combustible presurizadas en su sistema de combustible. Además, asegure que se reemplacen las líneas de hule con manguera flexible de suficiente fuerza (es decir, trenza inoxidable y accesorios estilo AN por ejemplo). Por último, tenga precaución al enrutar las líneas de combustible para asegurar que las líneas no se localicen demasiado cerca al sistema de escape y estén protegidas de desechos del camino y obstrucciones.

Bomba de agua:

El motor RAMJET 350 incluye una bomba de agua de rotación estándar. Ésta es una bomba de agua de hierro fundido de pata larga.

Cualquier motor de bloque pequeño, sin importar el año, que use culatas Vortec, requerirá una línea de derivación de refrigerante externa desde el múltiple de admisión al niple de la manguera de 5/8" sobre la bomba de agua (lado del pasajero). El enrutamiento sugerido es desde el cubo de 3/8 NPSF sobre el múltiple de admisión a la bomba de agua.

Sistema de ignición:

Este juego incluye un sistema de ignición de distribuidor que se conecta al ECM. El ECM monitorea las entradas desde varios sensores del motor, calcula la sincronización de chispa deseada, y envía las señales al módulo de Control de ignición en el distribuidor para ajustar la sincronización.

Las bujías recomendadas para el motor RAMJET 350 son el número de parte de AC Delco MR43LTS.



Especificaciones de motor RAMJET 350

Desplazamiento:	350 pulgadas cúbicas
Diámetro x Carrera:	4.00 x 3.48 pulgadas
Compresión	9.4:1 Nominal
Bloque:	Hierro fundido, tapas principales de dos pernos
Culata de cilindro:	Hierro fundido, Vortec
Diámetro de válvula (Admisión/Escape):	1.94"/1.50"
Volumen de la cámara:	62cc
Cigüeñal:	Hierro fundido, sello trasero de 1 pieza
Bielas:	Metal forjado en polvo, pernos de 3/8"
Pistones:	Aluminio fundido
Anillos:	Parte superior Molibdeno, Segunda Hierro
Árbol de levas:	Levantador hidráulico follor
Elevación:460" admisión, .481" escape
Duración:	196° admisión, 205° escape @.050" de elevación del levantador
Línea de centro:	104° ATDC admisión, 109° BTDC escape
Relación de brazo de balancín:	1.5:1, punta de rodillo
Cadena de sincronización:	Diseño de rodillo sencillo
Cárter de aceite:	5 cuartos excluyendo filtro de aceite
Presión de aceite (Normal):	6 psi @ 1000 RPM 18 psig @ 2,000 RPM 24 psig @ 4,000 RPM
Aceite recomendado:	5w30
Filtro de aceite:	AC Delco parte # PF1218
Ajuste de válvula:	3/4 de vuelta pasando ajuste 0
Combustible:	Premium sin plomo - 92 (R+M/2)
Velocidad máxima del motor:	5600 RPM
Sincronización de chispa:	Inicial: 12° antes de centro muerto superior
Bujías:	AC Delco parte # MR43LTS
Distancia entre bujías	0.040"
Orden de explosión:	1-8-4-3-6-5-7-2

La información puede variar según la aplicación. Todas las especificaciones enumeradas están basadas en la información sobre la última producción disponible al momento de la impresión.

Precaución: Antes que el motor se instale en un vehículo, se necesita llenar con aceite y cebarse. Revise el nivel de aceite del motor en la varilla de medición y agregue de manera acorde. Para cebar el motor, primero retire el distribuidor para permitir el acceso al eje de impulso de la bomba de aceite. Observe la posición del distribuidor antes de la desinstalación. Instale una herramienta de cebado de aceite. Con un motor de taladro de 1/2", gire la herramienta de cebado de aceite de motor durante dos a tres minutos. Mientras está cebando el motor, pida que alguien más gire el cigüeñal en sentido contrario a las manecillas del reloj para suministrar aceite a través del motor y a todas las superficies de cojinete antes que se encienda inicialmente el motor. Vuelva a instalar el distribuidor en la misma orientación de la que se retiró. Después que el motor se haya instalado en el vehículo, vuelva a verificar el nivel de aceite del motor y agregue aceite conforme se requiera.

Instalación de bobina de ignición:

Se necesitará instalar la bobina de ignición. Se puede conectar ya sea a la parte trasera de la culata del cilindro, o a la protección contra fuego del vehículo, dependiendo de la cantidad de espacio para su aplicación. Apriete los pernos del soporte de la bobina de ignición a 22 Nm (16 pies lb). Conecte el cable de la bobina de ignición al distribuidor.

Instalación de ECM y arnés de cableado:

Se necesitará instalar el arnés de cableado incluido con el RAMJET 350. Para facilitar la instalación, todos los conectores se han etiquetado para identificar qué componente corresponde a cada uno. La instalación de este arnés requiere una conexión B+ y una fuente de ignición con fusible. También se proporciona un conductor de salida de tacómetro. Este arnés de inyección de combustible está protegido adicionalmente por 3 mini fusibles en un conector a prueba de agua en el arnés. Se aconseja la protección del circuito de la alimentación de B+ en forma de un enlace de fusible.

Entre los artículos contenidos en este juego hay un sensor de oxígeno. El sensor de oxígeno monitoreará el gas de escape y determinará el nivel de riqueza o pobreza de su motor. Monitoreará las tablas de combustible agresivas orientadas al desempeño en el ECM y las ajustará ligeramente para optimizar el desempeño y capacidad de conducción. Este ajuste le permite operar en un nivel máximo de eficiencia y por lo tanto mejora tanto la capacidad de conducción y el uso de combustible al mismo tiempo. Para instalar el sensor de oxígeno en el escape, también se incluyó un tapón de escape soldado en este juego. En la Figura 1 se muestran un sensor de oxígeno y tapón de escape.

Otro artículo en el juego es un sensor de temperatura de aire de admisión. Este sensor actúa de forma similar a un cambio de chorro que haría en un carburador de un motor de carreras en una pista de arrancones. Por lo general podría incrementar el tamaño del chorro cuando se incremente la temperatura. Este sensor toma la temperatura del aire de admisión y hace tales "cambios de chorro" electrónicamente a las tablas de combustible de ECM para optimizar la salida de potencia y obtener la mejor mezcla de combustible para desempeño y economía mejorados. Un sensor de temperatura de aire de admisión se muestra en la Figura 2.

La instalación del tapón de escape requiere soldadura. Si no tiene el equipo requerido para instalar el tapón de escape, un taller de silenciadores o de servicio local calificado deberían poder completar este paso para usted.

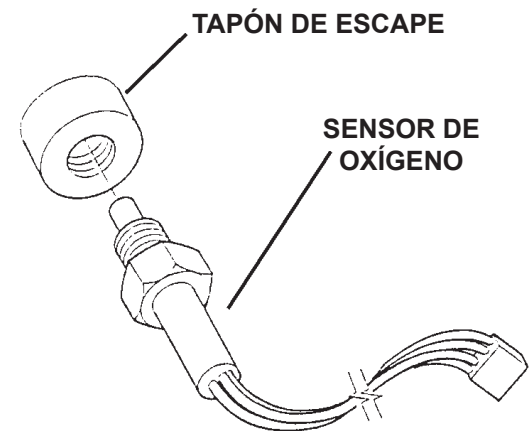
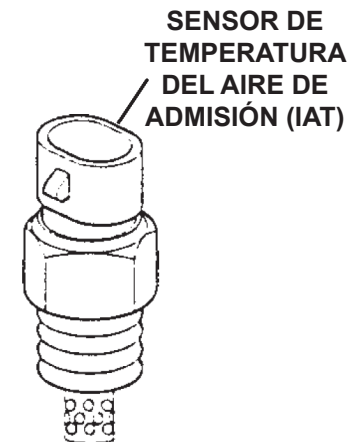
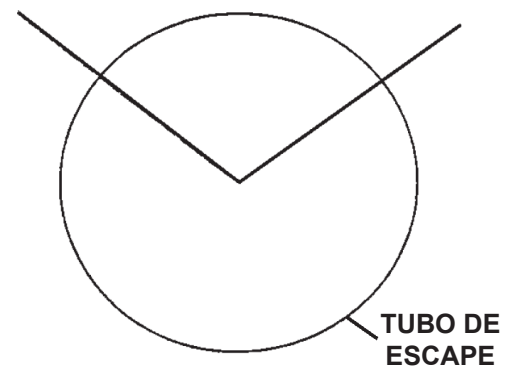
Ubicación de tapón de escape

Antes de comenzar la instalación del tapón de escape, desconecte el cable negativo de la batería para evitar dañar el ECM o los sensores. Revise cuidadosamente el motor y el sistema de combustible para asegurar que no hayan fugas de combustible en el sistema de combustible. Si se encuentra una fuga, repare antes de continuar con la instalación.

El sensor de oxígeno que se atornillará a este tapón funcionará mejor en la parte más caliente del sistema de escape. Mientras más cerca esté el sensor al motor será mejor. Si tiene un múltiple de escape fundido, localice el tapón en el tubo de escape corriente abajo de la brida del múltiple - pero lo más cerca a la brida como sea posible. Si tiene culatas, instale el tapón en su adaptador de recolector. Para instalación en un tubo de escape horizontal, se recomienda que el sensor se instale con la punta viendo hacia abajo, apuntando al centro del tubo de escape. La Figura 3 muestra los ángulos de instalación recomendados para un tubo de escape horizontal. Si la ubicación seleccionada de su sensor es vertical, no hay un ángulo de instalación recomendado; querrá asegurarse que la punta del sensor esté apuntando al centro del tubo de escape. También necesitará asegurarse que la ubicación seleccionada de su tapón permita la instalación y desinstalación del sensor de oxígeno. Además, asegúrese que el sensor y el cableado relacionado no interfieran con otros componentes. Además, verifique que el cableado del sensor y los conectores no se fundan debido a calor excesivo del escape. Perfore un orificio de 7/8" en el tubo de escape en la ubicación que seleccionó usando una sierra perforadora.

La habitación debe estar bien ventilada y debe asegurarse que no existan fugas de gasolina o vapores de gasolina en ningún lugar cerca de la habitación o área de soldadura.

Una vez que se instale el tapón, deje que la unión soldada se enfríe completamente antes de instalar el sensor. También se recomienda que golpee el tapón con un martillo métrico de 18mm x 1.50 para eliminar cualquier distorsión que pueda haber ocurrido durante el proceso de soldadura.

FIGURA 1

FIGURA 2

FIGURA 3
RANGO DE INSTALACIÓN DE TAPÓN RECOMENDADO


Instalación de Sensores

Instale el sensor de oxígeno dentro del tapón de escape. Un recubrimiento de compuesto anti-atascamiento sobre las roscas del sensor de oxígeno facilitará la desinstalación del sensor cuando sea necesario el reemplazo. El sensor de oxígeno se debe apretar a 20 pies lb.

El sensor de temperatura de aire de admisión (IAT) se debe localizar en la corriente del aire de admisión. Es aconsejable colocar este sensor lo más lejos posible del cuerpo del acelerador del motor. El sensor IAT usa rosca 1/4 NPT (rosca nacional de tubo). Determine dónde colocará su sensor IAT. La ubicación del sensor variará dependiendo de la configuración de su filtro y ducto de admisión. Si está usando un filtro de aire remoto con un ducto desde el filtro al cuerpo del acelerador, debe instalar el sensor IAT en el ducto cerca del filtro. Si usa el filtro directamente sobre el cuerpo del acelerador, debe instalar el sensor IAT en el filtro. No se recomienda la instalación del sensor IAT en el múltiple de admisión. En el múltiple de admisión, el sensor puede proporcionar lecturas falsas debido a que el sensor absorbe calor desde el motor/múltiple de admisión. Si planea soldar las roscas, un niple de tubo de su tienda de hardware local puede facilitar la instalación. Adicionalmente, algunos sensores de admisión "a presión" están disponibles en varias configuraciones.

Instalación de Arnés

Puede necesitar alargar o acortar los cables del sensor de oxígeno e IAT en el arnés. Se recomienda que esto se realice soldando y sellando su conexión soldada con cubierta de contracción térmica. No se recomiendan conectores a tope estándar. NOTA: No realice ninguna reparación o modificación a los cables conectados directamente al Sensor de oxígeno.

1. Tienda el arnés de cableado a lo largo del lado izquierdo del múltiple de admisión con los conectores de la válvula de control de aire de marcha en vacío, sensor de posición de acelerador, y sensor de temperatura de refrigerante del motor en la parte frontal del motor.
2. Conecte los sensores mencionados anteriormente a sus componentes de empate.
3. Conecte los ocho conectores del inyector de combustible.
4. Conecte el conector del sensor MAP al sensor MAP, ubicado en el lado izquierdo del pleno del múltiple de admisión.
5. Instale los conectores del ECM. Sus conectores de ECM en el arnés se pueden identificar por las cuñas de alineación de color transparente y humo - J1 - humo, J2 - transparente. El exterior de cada conector en el ECM está etiquetado como J1 o J2.
6. Instale el ensamble del cable de bobina, número de parte 12097982. Un extremo se conecta a la parte superior de la bobina, el otro extremo a la parte trasera del distribuidor.
7. Conecte los conectores del arnés al distribuidor y la bobina de ignición.
8. Conecte los relevadores de la bomba de combustible e ignición.
9. Conecte el conector del sensor de detonación a éste. Tenga cuidado al enrutar el arnés de cableado al conector de forma que el arnés no se dañe por calor del sistema de escape.
10. Conecte el conductor B+ a la terminal grande en el motor de arranque. Se debe agregar un enlace de fusible en esta conexión para protección adicional.
11. Conecte los conductores de la bomba de combustible. El instalador debe proporcionar un arnés de cableado desde la bomba de combustible a los conductores provistos.
12. Conecte el conductor de ignición al interruptor de ignición.
13. En su arnés notará varias conexiones a tierra diferentes. Las conexiones a tierra deben estar conectadas en pernos separados en el motor. La falla en usar pernos de tierra separados puede resultar en desempeño inadecuado del motor o falla del ECM.
14. También observará dos salidas de tacómetro desde el arnés, tach1 es para un lado negativo estándar del tacómetro accionado por la bobina. Tach2 es para tacómetros digitales; éste tiene una salida de onda cuadrada de 0-12 V. Seleccione y conecte la salida adecuada para su aplicación.
15. Vuelva a conectar el cable de su batería.

Ajuste de sincronización inicial:

Para cambiar la sincronización base en el sistema, el ECM se debe poner en "modo de servicio" con la herramienta de código de problema de diagnóstico (DTC), número de parte 12489400. Esto se puede lograr conectando la herramienta DTC al conector de enlace de datos en el arnés de cableado.

1. Gire el interruptor de la ignición del motor a la posición off (apagado) (motor sin operación)
2. Coloque el interruptor de prueba de la herramienta DTC en la posición apagada y conecte la herramienta en el conector de enlace de datos en el arnés de cableado.
3. Arranque el motor, y coloque el interruptor de prueba de la herramienta DC en la posición on (encendido).

El módulo IC entonces estará en sincronización de ignición base. En este momento, la sincronización base se puede ajustar girando el distribuidor.

Con una luz de sincronización, ajuste la sincronización base en 12° antes del centro muerto superior (BTDC).

Asentamiento inicial de motor:

Después que se haya instalado el motor en su vehículo, se haya ajustado la sincronización base, y se haya realizado la verificación de detección, es decir, presión de aceite correcta, sin fugas de fluido, temperatura de refrigerante aceptable, etc.

1. El vehículo entonces se debe conducir bajo varias cargas y condiciones durante las primeras 30 millas, sin acelerador completamente abierto o sostenido, altas aceleraciones de RPM. **NOTA:** El ECM está programado con un "Modo verde" que limita las RPM máximas durante el periodo de asentamiento. Desde el arranque al final de la primera hora, el límite es de 4000 RPM, para la segunda hora es de 4500 RPM, y para la tercera hora es de 5500 RPM.
2. Realice cinco o seis aceleraciones a medio acelerador a aproximadamente 4000 RPM, dejando fuera de velocidad.
3. Realice dos o tres aceleraciones completas hasta aproximadamente 4000 RPM, dejando fuera de velocidad.
4. Cambie el aceite y el filtro de aceite, y reemplace con aceite de motor 5W30 y un filtro de aceite ACDelco PF1218. Revise tanto el aceite como el filtro usados para asegurar que el motor funcione adecuadamente.
5. Conduzca las siguientes 500 millas bajo condiciones "normales". No opere el motor en la velocidad máxima nominal del motor de 5500 RPM, y no exponga el motor a periodos prolongados de cargas altas.
6. Cambie el aceite y el filtro de nuevo.

Partes adicionales que se pueden necesitar:
Volante de inercia / Placa flexible:

Como todos los motores V8 GEN1 o GEN1E producidos desde 1986, el motor RAMJET 350 tiene un patrón de perno de brida de volante de inercia de 3.00" de diámetro. Los motores V8 de bloque pequeño producidos desde 1955 hasta 1985 tenían un patrón de perno de brida de volante de inercia de 3.58". Esta cambio en el diámetro del círculo de perno se hizo para acomodar un sello principal trasero de una pieza resistente a fugas. Debido a revisiones en el diseño del cigüeñal, un motor RAMJET 350 debe tener un volante de inercia con contrapeso (o placa flexible) para el balance adecuado. El motor RAMJET 350 incluye un volante de inercia de transmisión manual de 14", número de parte 14088648. Si instala este motor con una transmisión automática o desea usar un volante de inercia de 12 3/4", seleccione uno de los volantes de inercia o placas flexibles a partir de la siguiente tabla. Use el perno del volante de inercia número de parte 839756 (se requieren 6) o el perno de placa flexible número de parte 3727207 (se requieren 6).

NOTA: Cuando instale este motor con una transmisión automática, se debe retirar el cojinete piloto del embrague. Esto asegurará que no exista interferencia cuando se instale un convertidor de par.

Volantes de inercia de transmisión manual de Motor RAMJET 350

<u>Parte GM</u>	<u>Exterior</u>	<u>Embrague</u>	<u>Anillo de motor de arranque</u>	
<u>Número</u>	<u>Diámetro</u>	<u>Diámetro</u>	<u>Dientes de engrane</u>	<u>Notas</u>
14088648	14"	11.0, 11.85	168	Para sello de marcha de una pieza
14088646	12-3/4"	10.000"	153	Volante de inercia de hierro nodular de peso ligero, pesa aproximadamente 17 libras; para sello de marcha de una pieza
14088650	12-3/4"	10.4"	153	Volante de inercia de peso estándar; para sello de marcha de una pieza



Placas flexibles de transmisión automática de Motor RAMJET 350

Parte GM	Exterior	Convertidor	Anillo de motor de arranque	
Número	Diámetro	Patrón de perno	Dientes de engrane	Notas
14088765	12-3/4"	10.75"	153	Para sello de marcha de una pieza
12554824	14"	11.50"	168	Placa flexible de servicio pesado con incremento de espesor para sello de marcha de una pieza
14088761	14"	10.75,11.50"	168	Para sello de marcha de una pieza

Motor de arranque:

El motor de arranque se debe empatar al diámetro del volante de inercia (o placa flexible) cuando se instale un ensamble de motor RAMJET 350. Los volantes de inercia de diámetro pequeño tienen 12-3/4" en diámetro, y tienen coronas dentadas de motor de arranque con 153 dientes. Los volantes de inercia de diámetro grande tienen 14" en diámetro, y tienen 168 dientes en la corona dentada del motor de arranque. Esta diferencia en diámetros de volante de inercia requiere dos alojamientos de motor de arranque diferentes. Las puntas de motor de arranque usadas con los volantes de inercia de 14" de diámetro tienen dos orificios de perno de compensación; el motor de arranque usado con volantes de inercia de 12-3/4" de diámetro tiene orificios de perno que son rectos y cruzan entre sí. Nota: Los motores de arranque Chevrolet usan pernos de montaje con reborde especial que registran el motor de arranque sobre el bloque.

Los siguientes motores de arranque se pueden usar con los ensambles de motor RAMJET 350:

14097278	Perno, montaje de motor de arranque, largo, para motor de arranque de servicio pesado
14097279	Perno, montaje de motor de arranque, corto, para motor de arranque de servicio pesado
19302919	Motor de arranque de reducción de velocidad de imán permanente (PMGR) para volante de inercia/placa flexible de 14" (10 lbs.)
14037733	Perno, montaje de motor de arranque, interno para motor de arranque PMGR de 12-3/4"
12338064	Perno, montaje de motor de arranque, externo para motor de arranque PMGR de 12-3/4"; también para motor de arranque PMGR de 14" (se requieren 2)
12361146	Mini motor de arranque de alto torque para volante de inercia de 12-3/4" y 14"

Cárter de aceite / Filtro / Adaptador / Varilla de medición:

El motor RAMJET 350 incluye un cárter de aceite, número de parte 10242245. Este cárter se diseñó originalmente para uso marítimo y camiones y puede causar problemas de interferencia cuando se instala en ciertas aplicaciones. Revise el espacio antes de la instalación. Un cárter sugerido es el cárter de aceite ZZ5 número de parte 12557558 y requerirá el empaque de cárter 10108676. Las partes adicionales requeridas son dos (2) pernos de tapa de cojinete principal No. de parte 12561388, y charola contraviento «corta» No. de parte 12554816. Este cárter también requiere la varilla de medición No. de parte 12551144 y el tubo No. de parte 12551154, como se indica a continuación.

La varilla de medición de aceite para el motor RAMJET 350 está en el lado derecho (pasajero) del bloque. Revise el espacio cuando reemplace un bloque de modelo anterior con una configuración de varilla de medición del lado izquierdo. El motor RAMJET 350 no tiene una varilla de medición de aceite. Cuando use el cárter de aceite suministrado con el motor, los números de parte de la varilla de medición de aceite y el tubo de varilla de medición de aceite recomendados son 10190942 y 12552920 respectivamente. Si se instala el cárter de aceite ZZ5 en este motor, los números de parte de varilla de medición y tubo de aceite recomendados son 12551144 y 12551154 respectivamente. Este tubo de varilla de medición de aceite se atornilla al bloque del motor debajo de la superficie del tablero, y se puede usar con sistemas de escape tipo cabezal.

Bomba de combustible / Líneas de combustible / Filtro de combustible:

El motor RAMJET 350 no incluye una bomba de combustible. El sistema de combustible en su aplicación debe poder suministrar un mínimo de 35 galones de combustible por hora. La presión de operación de la bomba de combustible debe estar dentro del rango de 43 - 55 psi.

La presión de combustible adecuada es esencial para la operación correcta del RamJet 350. A continuación se presentan las especificaciones para la presión de combustible esperada bajo varias condiciones de operación.

Marcha en vacío =	38-40 PSI (262-276 KPA)
Crucero estable =	40-42 PSI (276-290 KPA)
Acelerador completamente abierto =	42-44 PSI (290-303 KPA)



Se recomienda un sistema de descarga de combustible dentro del tanque de un vehículo Chevrolet para uso con este sistema. El sistema de combustible de cualquier vehículo Chevrolet equipado originalmente con un sistema de inyección de combustible de puerto y un motor V-8 es un candidato posible. Las bombas de combustible Chevrolet de producción que serían buenos candidatos incluyen la bomba de combustible de camioneta Vortec, o una bomba de combustible Camaro/Firebird LT1. Los sistemas de descarga de combustible carburados y de inyección de cuerpo de acelerador no cumplirán con las necesidades de un sistema de inyección de combustible de puerto. No proporcionan suficiente presión en el riel de combustible.

Se recomienda un sistema de combustible dentro del tanque por varias razones. Primero, un sistema dentro del tanque de producción Chevrolet asegurará que no surjan problemas de bloqueo de vapor. El bloqueo de vapor es un problema común con las bombas de combustible en línea. En altas temperaturas ambiente, el combustible en la línea de combustible se puede vaporizar. Una bomba de combustible en línea no puede mover vapor en los niveles requeridos por el sistema de inyección de combustible. Como resultado, la presión de combustible en el riel de combustible cae, y surgen varios problemas. Estos problemas incluyen una vacilación o retraso hasta un peor caso de ahogamiento y condición de falta de arranque. Usar un sistema de combustible dentro del tanque Chevrolet asegurará que este problema no ocurra en su vehículo. En segundo lugar, el sistema de descarga de combustible dentro del tanque tendrá una línea de retorno conectada dentro de la unidad del transmisor de combustible. Se requiere esta línea de retorno para la operación adecuada de este sistema. El regulador de combustible, montado en el riel de combustible, mantiene la presión de combustible correcta que se alimenta a los inyectores, en base al vacío del múltiple de admisión. En general, la bomba de combustible suministrará combustible en una presión mayor que la requerida en el riel. El regulador entonces purga el combustible adicional para mantener la presión correcta. El combustible que se purga necesita regresar al tanque de combustible, por medio de la línea de retorno de combustible. En tercer lugar, los tanques de combustible usados con los sistemas de combustible dentro del tanque tienen deflectores integrados. Estos deflectores aseguran que la bomba de combustible tendrá combustible disponible siempre y cuando haya suficiente cantidad de combustible en el tanque. Los deflectores evitan que todo el combustible se recolecte en un lado del tanque durante vueltas cerradas, o en la parte trasera del tanque durante aceleraciones fuertes.

Si instala este paquete en un vehículo que se equipó originalmente con un carburador, también se necesitarán actualizar las líneas de combustible. Las líneas deben poder manejar el incremento de presión requerido por el sistema de inyección de combustible. No use accesorios con lengüetas o sujetadores de gusano para asegurar las líneas de combustible presurizadas. Además, asegúrese que las líneas de hule se retiren y reemplacen con líneas de combustible de suficiente fuerza, una manguera de línea de combustible Aeroquip AQP con trenza inoxidable y accesorios estilo AN por ejemplo. Por último, tenga precaución al enrutar las líneas de combustible para asegurar que las líneas no se localicen demasiado cerca al sistema de escape y estén protegidas de desechos del camino y obstrucciones.

El filtro de combustible recomendado para uso con este sistema es el número de parte 25171792 (AC #GF626). Este filtro es un filtro de 10 micras con accesorios de 3/8" en cada extremo. El filtro de combustible se debe instalar entre el tanque de combustible y el riel de combustible, ubicado por lo general cerca del tanque de combustible.

Cabezales:

Un motor RAMJET 350 debe estar equipado con un sistema de escape de cabezal para desempeño máximo en aplicaciones donde un sistema de escape que no sea de producción sea legal. Todo el trabajo de desarrollo de calibración fue realizado con un sistema de escape de cabezal instalado en nuestros motores de desarrollo. Instalar un múltiple de escape estilo producción puede incrementar la contrapresión y alterar el desempeño del sistema. La configuración de cabezal recomendado es de tubos primarios de 1-3/4" de diámetro de 32 a 36 pulgadas de largo, con recolectores de 3" de diámetro. Use tubos de escape de 2-1/2" de diámetro con un tubo de balance (tubo "H") y silenciadores de baja restricción.



Rangos de RPM de operación de RAMJET 350

Pensando sobre el uso pretendido del vehículo en el que instalará su motor RAMJET le permitirá tomar buenas decisiones sobre su paquete total del vehículo. Para obtener el uso más efectivo de su motor ensamblado, deberá intentar diseñar el resto del vehículo para complementar el rango de RPM efectivo del motor. Considere el peso, engranaje (transmisión y eje) del vehículo, así como las velocidades del vehículo y la geografía (montañosa o plana) en la que conducirá con mayor probabilidad la mayoría del tiempo.

El motor RAMJET 350 produce los caballos de fuerza pico en 5100 RPM. Una buena regla sería una velocidad crucero en carretera que ponga el motor en RPM en el rango de 60-70% menor al pico. Usando este ejemplo pondrá la velocidad óptima del motor en carretera en 1500-2000 RPM. Vehículos más pesados (superiores a 3500 lbs) se desempeñarían mejor usando una combinación en el extremo mayor de este rango y vehículos más ligeros (menores a 3000 lbs) estarían mejor adaptados cerca del extremo inferior de este rango.

Situaciones que tienen impacto en la relación de engrane final son:

- Tamaño de llanta
- Relación de engrane de eje
- Relaciones de engrane de transmisión (con o sin sobremarcha)
- Convertidores de par (selección de velocidad de ahogamiento y/o con o sin función de bloqueo)

A continuación se incluyen algunas fórmulas útiles para ayudar a tomar decisiones informadas. Inserte sus números en estas fórmulas para ayudarlo a decidir qué funcionará mejor para su aplicación.

Diámetro de llanta = Medido en pulgadas

MPH = Velocidad crucero en carretera típica

Relación = Relación de engrane final (Relación de engrane de transmisión multiplicada por relación de eje)

Constante = 336

Relación de engrane final = (RPM x diámetro de la llanta) dividido entre (MPH x 336)	MPH = (RPM x diámetro de llanta) dividido entre (Relación de engrane final x 336)
RPM = (MPH x Relación de engrane final x 336) dividido entre (diámetro de llanta)	Diámetro de llanta = (MPH x Relación de engrane final x 336) dividido entre (RPM)

Por ejemplo, usando la primera fórmula para calcular la Relación de engrane final:

$$\frac{2000 \text{ RPM x diámetro de llanta de 30"}}{65 \text{ MPH x 336}} = \text{Relación de engrane final 2.74}$$

IMPORTANTE: Recuerde incluir las relaciones de transmisión de sobremarcha en su cálculo final.

Por ejemplo, si usa una transmisión 4L60E, la relación de sobremarcha es 0.71. Para obtener una relación de engrane final de 2.74, debería calcular lo siguiente:

$$\frac{2.74 \text{ (Relación de engrane final)}}{0.7 \text{ (Relación de sobremarcha (O/D) de transmisión)}} = 3.91 \text{ (Relación calculada de eje)}$$

En este punto, la relación estimada que determine puede no ser la relación que ya está disponible. Debería revisar sus opciones mayores y menores de relación dependiendo de otros factores indicados anteriormente (preferencia personal y hábitos de conducción, geografía, velocidad general promedio del vehículo, peso final del vehículo, etc...).

Recuerde que los ejemplos proporcionados aquí son estrictamente para propósitos de demostración y sus resultados pueden variar. El consumidor asume toda la responsabilidad para determinar las condiciones de uso real.



Bujías / Cables de bujía / Juego de cableado:

Las culatas de cilindro Vortec de hierro fundido del motor RAMJET 350 tienen bujías rectas. Revise el espacio de la bujía y el cable cuando use cabezales post-venta diseñados para bujías en ángulo.

El motor RAMJET 350 incluye cables de bujía, número de parte 12361051. Estos cables de servicio pesado vienen con fundas de bujía de 90°, y el logotipo de Chevrolet Performance estampado sobre los cables.

Chevrolet Performance vende un juego de cableado de bujía, número de parte 12496806. Los soportes en este juego son de acero inoxidable, con un corte láser del logotipo de "Corbatín" en ellos. Este juego se puede usar con el motor RAMJET 350. Los soportes se atornillan al lado de las culatas de cilindro.

Herramientas de diagnóstico y servicio:

Se incluye una herramienta de código de problema de diagnóstico con el motor RAMJET 350. Este sencillo dispositivo le permitirá leer cualquier código de problema de diagnóstico almacenado en el ECM así como ajustar la sincronización base de ignición. Si desea más funcionalidad de la que puede proporcionar la herramienta DTC, puede adquirir una herramienta de exploración TechMate. Funcionalmente, esta herramienta de exploración es similar a la herramienta Tech 1 o Tech 1A usada en los concesionarios GM. Para adquirir la herramienta de exploración TechMate, simplemente llame o escriba a:

Rinda Technologies Inc.
4563 N. Elston Avenue
Chicago, IL 60630
(773) 736-6633



Especificaciones de apriete de motor RAMJET 350:

Perno/tornillo de retenedor de árbol de levas	106 pulg. lb. / 12 Nm
Perno/tornillo de corona dentada de árbol de levas.....	21 pies lb. / 28 Nm
Tuerca de biela.....	Estiramiento de perno 006" preferido a 20 pies lb + 55° adicionales (45 pies lb. si no hay indicador de ángulo disponible) / 27 Nm + 55° adicionales (61 Nm si no hay indicador de ángulo disponible)
Perno de balanceador de cigüeñal.....	74 pies lb. / 100 Nm
Perno prisionero/tornillo y perno de cojinete de cigüeñal.....	67 pies lb. / 90 Nm
Tuerca/perno/tornillo de alojamiento de sello de aceite trasero de cigüeñal ...	11 pies lb. / 15 Nm
Perno/tornillo de culata de cilindro	65 pies lb. / 88 Nm
Perno/tornillo de distribuidor.....	18 pies lb. / 25 Nm
Tapón de galería de aceite de bloque de motor	15 pies lb. / 20 Nm
Perno/tornillo de montaje de ECM	106 pulg. lb. / 12 Nm
Sensor de temperatura de refrigerante de motor	106 pulg. lb. / 12 Nm
Perno/tornillo de cubierta delantera de motor	106 pulg. lb. / 12 Nm
Perno/tornillo de volante de inercia	74 pies lb. / 100 Nm
Perno/tornillo de regulador de presión de combustible	84 pulg. lb. / 9.5 Nm
Tuerca de línea de salida de regulador de presión de combustible.....	13 pies lb. / 17.5 Nm
Perno/tornillo de riel de combustible	88 pulg. lb. / 10 Nm
Perno/tornillo de válvula de control de aire de marcha en vacío.....	28 pulg. lb. / 3.2 Nm
Perno/tornillo de soporte de aceite de ignición	16 pies lb. / 22 Nm
Perno/tornillo y pasador de múltiple de admisión	
Primer pase	9 pies lb. / 12 Nm
Segundo pase	11 pies lb. / 15 Nm
Sensor de detonación	14 pies lb. / 19 Nm
Perno/tornillo de sensor MAP.....	55 pulg. lb. / 6 Nm
Perno/tornillo de adaptador de filtro de aceite.....	18 pies lb. / 25 Nm
Perno/tornillo de tubo de indicador de nivel de aceite.....	106 pulg. lb. / 12 Nm
Ensamble de cárter de aceite	
Tuerca/perno/tornillo de esquina	15 pies lb. / 20 Nm
Perno/tornillo de riel lateral	106 pulg. lb. / 12 Nm
Tuerca de deflector de aceite	30 pies lb. / 40 Nm
Tapón de drenaje de cárter de aceite.....	15 pies lb. / 20 Nm
Perno/tornillo de bomba de aceite a tapa de cojinete de cigüeñal trasero	66 pies lb. / 90 Nm
Perno/tornillo de cubierta de bomba de aceite.....	106 pulg. lb. / 12 Nm
Sensor, oxígeno	20 pies lb. / 27 Nm
Bujía	15 pies lb. / 20 Nm (asiento cónico)
Perno/tornillo de motor de arranque.....	35 pies lb. / 48 Nm
Perno/tornillo de sensor de posición de acelerador	18 pulg. lb. / 2 Nm
Perno/tornillo de cuerpo de acelerador	11 pies lb. / 15 Nm
Perno/tornillo de retenedor de guía de elevador de válvula.....	18 pies lb. / 25 Nm
Perno/tornillo de bomba de agua	30 pies lb. / 40 Nm

Lista de partes de servicio:

Ensamble de bloque,	
Motor..... No se puede dar servicio por separado	
Ensamble de motor, Servicio parcial.....	12556121
Tapón, Orificio de núcleo de bloque	
de motor.....	88891749
Cojinete, Árbol de levas #1	12453170
Cojinete, Árbol de levas #2,5	12453171
Cojinete, Árbol de levas #3,4	12453172
Perno/tornillo, tapa de cojinete de cigüeñal ..	12561388

Perno, Tapa de cojinete de cigüeñal	12561389
Tapón, Drenaje de enfriamiento de bloque	
de motor.....	14084945
Juego de cojinete, Cigüeñal #1,2,3,4.....	12531215
Juego de cojinete, Cigüeñal #5.....	89060460
Ensamble de culata, cilindro (completo).....	12558060
Ensamble de culata, cilindro con pernos	12528913
Válvula, admisión	10241743
Válvula, escape.....	12550909
Resorte, válvula	10212811



Cuña, vástago de válvula..... 24503856
 Sello, Aceite de vástago de válvula
 de admisión..... 10212810
 Sello, Aceite de vástago de válvula
 de escape 12564852
 Tapa, Resorte de válvula 10241744
 Empaque, Culata de cilindro 14096405
 Perno/tornillo, Culata de cilindro (larga)..... 10168525
 Perno/Tornillo, Culata de cilindro (media) 10168526
 Perno/tornillo, Culata de cilindro (corta)..... 10168527
 Ensemble de tapón, Núcleo de culata
 de cilindro..... 444662
 Pasador, Localización de culata de cilindro 585927
 Cigüeñal 10243070
 Pasador,
 Sello de aceite trasero de cigüeñal 9441003
 Ensemble de alojamiento,
 Sello de aceite trasero de cigüeñal 12554336
 Perno, Sello de aceite trasero de cigüeñal ... 14080362
 Ensemble de sello,
 Aceite trasero de cigüeñal 12554337
 Ensemble de alojamiento,
 Aceite trasero de cigüeñal 12554312
 Perno, Sello de aceite trasero de cigüeñal ... 14080362
 Ensemble de sello,
 Aceite trasero de cigüeñal 12554314
 Empaque,
 Sello de aceite trasero de cigüeñal 12555771
 Perno/tornillo, Aceite trasero de cigüeñal 14101030
 Perno/tornillo, Aceite trasero de cigüeñal 14101032
 Perno, Sello de aceite trasero de cigüeñal ... 14101058
 Tuerca, Sello de aceite trasero de cigüeñal.. 10108645
 Deflector, aceite de cigüeñal 94668472
 Tuerca, deflector de aceite de cigüeñal 9442946
 Ensemble de balanceador, Cigüeñal 10243271
 Cuña, balanceador de cigüeñal 106751
 Ensemble de volante de inercia 14088648
 Engrane, Anillo de volante de inercia..... 03991408
 Perno/tornillo, volante de inercia..... 12337973
 Pasador, Localización de volante
 de inercia 10046031
 Ensemble de biela 10108688
 Perno/tornillo, biela 461372
 Tuerca, biela 3866766
 Ensemble de pistón, con pasador
 (estándar)..... 88894280
 Ensemble de pistón, con pasador
 (.127 tamaño excedido) 88894281
 Ensemble de pistón, con pasador
 (.5mm tamaño excedido) 88894282
 Juego de anillo, pistón (Estándar) 12522848
 Juego de anillo, Pistón
 (.127 tamaño excedido) 12533559
 Juego de anillo, Pistón
 (.5mm tamaño excedido) 12524205
 Cojinete, Biela 12523925
 Ensemble de cárter 10242245
 Ensemble de tapón,
 Drenaje de cárter de aceite..... 11562588

Empaque, cárter de aceite 10108676
 Tuerca, cárter de aceite 09440046
 Perno/tornillo, cárter de aceite 9440033
 Perno, cárter de aceite..... 14080362
 Refuerzo, Cárter de aceite 12553058
 Refuerzo, Cárter de aceite 12553059
 Ensemble de pantalla, bomba de aceite 12550042
 Ensemble de bomba, aceite 93442037
 Ensemble de cubierta, bomba de aceite..... 10168528
 Válvula, Alivio de presión de aceite 88984201
 Tapón,
 Válvula de alivio de presión de aceite 3704871
 Resorte,
 Válvula de alivio de presión de aceite 14024240
 Pasador,
 Válvula de alivio de presión de aceite S 12551790
 Perno/tornillo,
 Cubierta de bomba de aceite 11517518
 Eje, Impulso de bomba de aceite..... 3998287
 Retenedor,
 eje de impulso de bomba de aceite 3764554
 Perno/tornillo, Bomba de aceite 10046007
 Pasador, Localización de bomba de aceite .. 12554553
 Tapón,
 Galería de aceite de bloque de motor..... 14091563
 Tapón,
 Galería de aceite de bloque de motor..... 10110897
 Ensemble de Tapón,
 Galería de aceite de bloque de motor..... 12338136
 Tapón,
 Galería de aceite de bloque de motor..... 14091563
 Ensemble de Tapón,
 Galería de aceite de bloque de motor..... 12338136
 Tapón,
 Galería de aceite de bloque de motor..... 3738198
 Ensemble de Tapón,
 Galería de aceite de bloque de motor..... 14084945
 Ensemble de tapa, Relleno de aceite 93439687
 Ensemble de cubierta, frente de motor 12562818
 Ensemble de sello,
 Aceite delantero de cigüeñal..... 10228655
 Perno/tornillo, Cubierta delantera de motor .. 10213293
 Perno/tornillo, Cubierta delantera de motor .. 12551135
 Pasacables, Cubierta delantera de motor..... 10213294
 Ensemble de bomba, Agua con empaque 88894341
 Tapón, Alojamiento de termostato
 de enfriamiento de motor 12542187
 Empaque, Cubierta de bomba de agua 12555493
 Empaque, Bomba de agua 3754587
 Perno/tornillo, Bomba de agua 9439637
 Perno/tornillo, Bomba de agua 15991978
 Perno, Bomba de agua 14097492
 Ensemble de árbol de levas..... 14097395
 Pasador, Rueda dentada de árbol de levas,
 localización 12554553
 Retenedor, Árbol de levas..... 10168501
 Perno/tornillo, Retenedor de árbol de levas.. 14093637
 Rueda dentada, Árbol de levas..... 12552129
 Rueda dentada, cigüeñal 14088784



Perno/tornillo, rueda dentada de árbol de levas..... 9424877
 Ensamble de cadena, Sincronización..... 14088783
 Tapón, Orificio de cojinete trasero de árbol de levas..... 10241154
 Ensamble de varilla, Empuje de válvula 10241740
 Ensamble de elevador, Válvula..... 17120735
 Guía, Elevador de válvula 12550002
 Retenedor, Guía de elevador de válvula..... 14101116
 Brazo, Balancín de válvula 19210724
 Tuerca, Brazo balancín de válvula 12557390
 Bola, Brazo balancín de válvula..... 10144053
 Ensamble de cubierta, Brazo balancín de válvula 12355350
 Perno/tornillo, Cubierta de brazo balancín de válvula 12356818
 Empaque, Cubierta de brazo de balancín de válvula 10046089
 Ensamble de bujía 5614210
 Pasador, Localización de transmisión..... 01453658
 Ensamble de motor, (Servicio parcial) 12556121
 Ensamble de válvula, PCV 25095452
 Pasacables, Válvula PCV 10240678
 Ensamble de manguera, Válvula PCV..... 1255693
 Conector, Manguera de válvula PCV 336018
 Ensamble de múltiple, Admisión 12489371
 Protector, Salpicadura de aceite de múltiple de admisión..... 10128305
 Perno/tornillo, Múltiple de admisión 11588711
 Ensamble de empaque, Múltiple de admisión 89017465
 Perno/tornillo, Múltiple de admisión 12550027
 Accesorio, Vacío de múltiple de admisión..... 14082470
 Ensamble de cuerpo, acelerador 17096144
 Ensamble de sensor, Posición de acelerador 17123852
 Ensamble de válvula, Control de aire de marcha en vacío 17113209
 Sello, Válvula de control de aire de marcha en vacío 17082049
 Juego de perno/tornillo, Aire de marcha en vacío 17113168
 Empaque, Cuerpo de acelerador 12570168
 Perno/tornillo, Cuerpo de acelerador 11588714
 Juego de inyector, Combustible de puerto múltiple 19244617
 Ensamble de riel, Inyección de combustible de puerto múltiple 12553918
 Regulador, Presión de combustible 17123897
 Perno, Regulador de presión de combustible 11561767
 Manguera, Regulador de presión de combustible 12557247
 Conector, Línea de combustible 12489599
 Sello, Conector de línea de combustible 12489600
 Perno/tornillo, Inyección de combustible 11518061
 Juego de alojamiento, Distribuidor..... 10475771
 Pasador, Sensor de ignición de distribuidor..... 454666

Tapa, Distribuidor 19166099
 Perno/tornillo, Tapa de distribuidor..... 10469669
 Eje, Distribuidor..... 10491354
 Rotor, Distribuidor 10477219
 Ensamble de módulo, Distribuidor 10482830
 Perno/tornillo, Distribuidor..... 10469668
 Pieza de poste, Sensor de distribuidor 10469667
 Bobina, Sensor de distribuidor 10470794
 Retenedor, Sensor de ignición de distribuidor 10493403
 Engrane, Eje de distribuidor..... 19052845
 Pasador, Engrane de distribuidor..... 456652
 Arandela, Empuje de eje de distribuidor 1977937
 Arandela, Eje de distribuidor..... 1965864
 Protector, Sensor de ignición de distribuidor 10496783
 Empaque, Distribuidor 10108445
 Sujetador, Distribuidor..... 10096197
 Perno/tornillo, Distribuidor..... 14091544
 Ensamble de sensor, detonación 10456126
 Ensamble de bobina, Ignición 12598697
 Soporte, Bobina 10470094
 Soporte, Bobina 10470624
 Tornillo/Perno, Soporte de bobina..... 11503051
 Tuerca, Soporte de bobina..... 10180301
 Ensamble de cable, Bobina de ignición 12097982
 Ensamble de regulador, Presión de combustible..... 17123897
 Perno/Tornillo, Regulador de presión de combustible 11561767
 Ensamble de manguera, Regulador de presión de combustible 12557247
 Ensamble de módulo, Control de motor 88962717
 Soporte, Montaje de ECM..... 1248958
 Perno, Montaje de soporte de ECM..... 11509024
 Tuerca, Montaje de soporte de ECM 91177733
 Ensamble de sensor, MAP..... 12614973
 Sello, Sensor MAP 16194007
 Soporte, Sensor MAP 12489583
 Perno, Soporte de sensor MAP 12489598
 Ensamble de sensor, Temperatura de refrigerante de motor 15326386
 Ensamble de soporte, Fusible multiusos 10029398
 Ensamble de filtro, Combustible 25171792
 Ensamble de arnés, Cuerpo de acelerador .. 12181943
 Conector, Módulo- Control de motor..... 12129228
 Retenedor, Arnés de cableado de ECM..... 12129231
 Retenedor, Arnés de cableado de ECM..... 12129234
 Retenedor, Arnés de cableado de ECM..... 12129232
 Retenedor, Arnés de cableado de ECM..... 12129233
 Conector, Fusible 12102746
 Cubierta, Fusible de arnés de cableado de motor..... 12186406
 Ensamble de fusible, Arnés de cableado 88909754
 Ensamble de fusible, Arnés de cableado 12092079
 Conector, Relevador-Bomba de combustible 15306045
 Ensamble de relevador, Bomba de combustible 12177233



Conector, Relevador-Ignición.....	15306045
Ensamble de relevador, Ignición.....	12177233
Conector, Enlace de datos.....	12125676
Conector, Enlace de datos.....	12117372
Conector, Bomba de combustible.....	12085491
Conector, Sensor-Map.....	88987997
Conector, Bobina-Ignición.....	12101896
Ensamble de cable, Bobina de ignición.....	12097982
Conector, Sensor-Refrigerante de motor.....	88987993
Conector, Aire de marcha en vacío.....	13584433
Conector, Sensor-Posición de acelerador.....	88988301
Conector, Módulo-Ignición de distribuidor.....	13584433
Conector, Inyector,Combustible.....	12085491
Conector, En línea-A arnés de carrocería.....	12101855
Conector, Sensor-Detonación.....	12102621
Arnés, Cableado de motor.....	88961967
Juego de cable, Bujía.....	12361051
Poste, Cable de transmisión.....	12489601
Tuerca, Poste de cable de transmisión.....	12489602
Arandela, Poste de cable de transmisión (Bloqueo).....	12489603
Soporte, Cable de transmisión.....	12489585
Perno, Soporte de cable de transmisión.....	11518061
Tuerca, Soporte de cable de transmisión.....	11516075
Soporte, Cable de transmisión y acelerador.....	12489586
Perno, Soporte de cable de transmisión y acelerador.....	11518061
Tuerca, Soporte de cable de transmisión y acelerador.....	91177733
Soporte, Montaje de soporte de cable.....	12489587
Perno, Soporte de montaje de soporte de cable.....	11518061
Bomba, Agua (con empaques).....	88894341
Empaque, Bomba de agua.....	3754587
Tornillo, Bomba de agua.....	9442012
Accesorio, sensor de oxígeno de tubo.....	15156588
Ensamble de sensor, oxígeno.....	19178918
Sensor, temperatura de aire de admisión.....	25036751
Conector, sensor de oxígeno.....	13582063
Conector, sensor de tapete.....	12102620