



CT525 Circle Track Crate Engine Instructions and Specifications Specifications Part Number 19244554

Thank you for choosing Chevrolet Performance as your high performance source. Chevrolet Performance is committed to providing proven, innovative performance technology that is truly.... more than just power. Chevrolet Performance parts are engineered, developed and tested to exceed your expectations for fit and function. Please refer to our catalog for the Chevrolet Performance Authorized Center nearest you or visit our website at www.chevroletperformance.com

This publication provides general information on components and procedures which may be useful when installing or servicing a CT525 Circle Track Crate engine. Please read this entire publication before starting work.

This CT525 Circle Track Crate engine is assembled using brand new, premium quality components and is based off of the Gen IV LS Series architecture. There is a wide range of small block applications, if you are retrofitting a previous small block application, you may encounter installation differences between the CT525 Circle Track Crate engine assembly and the previous version. These differences may require modifications or additional components not included with the CT525 Circle Track Crate engine, including cooling, fuel, electrical, and exhaust systems. Some fabrication work may be required.

The CT525 Circle Track Crate engine has individual ignition coils per cylinder and requires an ignition control system and harness. Chevrolet Performance part number 19171130 is recommended for this application and is available from your Performance dealer.

It is not the intent of these specifications to replace the comprehensive and detailed service practices explained in the GM service manuals. For information about warranty coverage, please contact your local Chevrolet Performance dealer.

Observe all safety precautions and warnings in the service manuals when installing this CT525 Circle Track Crate engine in any vehicle. Wear eye protection and appropriate protective clothing. When working under or around the vehicle, support it securely with jackstands. Use only the proper tools. Exercise extreme caution when working with flammable, corrosive, and hazardous liquids and materials. Some procedures require special equipment and skills. If you do not have the appropriate training, expertise, and tools to perform any part of this conversion safely, this work should be done by a professional.

Legal and Emissions Information

This publication is intended to provide information about the CT525 Circle Track Crate engine and related components. This manual also describes procedures and modifications that may be useful during the installation of a CT525 Circle Track Crate engine. It is not intended to replace the comprehensive service manuals and parts catalogs which cover General Motors engines and components. Rather, it is designed to provide supplemental information in areas of interest to "do-it-yourself" enthusiasts and mechanics.

This publication pertains to engines and vehicles which are used off the public highways except where specifically noted otherwise. Federal law restricts the removal of any part of a federally required emission control system on motor vehicles. Further, many states have enacted laws which prohibit tampering with or modifying any required emission or noise control system. Vehicles which are not operated on public highways are generally exempt from most regulations, as are some special interest and pre-emission vehicles. The reader is strongly urged to check all applicable local and state laws.

Many of the parts described or listed in this manual are merchandised for off-highway application only, and are tagged with the "Special Parts Notice" reproduced here:

Special Parts Notice

This part has been specifically designed for Off-Highway application only. Since the installation of this part may either impair your vehicle's emission control performance or be uncertified under current Motor Vehicle Safety Standards, it should not be installed in a vehicle used on any street or highway. Additionally, any such application could adversely affect the warranty coverage of such an on-street or highway vehicle.

The information contained in this publication is presented without any warranty. All the risk for its use is entirely assumed by the user. Specific component design, mechanical procedures, and the qualifications of individual readers are beyond the control of the publisher, and therefore the publisher disclaims all liability incurred in connection with the use of the information provided in this publication.

Chevrolet, the Chevrolet Bow Tie Emblem, and General Motors are all registered trademarks of the General Motors Corporation. Chevy is a trademark of the General Motors Corporation.



Package Contents:

<u>Item</u>	<u>Description</u>	<u>Quantity</u>
1	Engine Assembly	1
2	Engine Instructions	1

Component Information and Additional Requirements

The CT525 Circle Track Crate engine uses stock LS3 components except as noted below. Additional service information not included in this document can be found from your Performance dealer under the LS3 (Corvette) RPO for all components except those noted below. Information for these items are included in this documentation, or if additional information is needed for the camshaft system components, reference a manual for a 2006 LS2 (Corvette) which uses the same camshaft system design.

Intake Manifold

Chevrolet Performance Intake Manifold part number 25534401 and 19172114 (qty 2) gaskets are installed on the CT525 Circle Track Crate engine.

Camshaft

The CT525 Circle Track Crate engine uses Chevrolet Performance camshaft 88958770, which has a 3-bolt sprocket mounting.

Camshaft Sprocket and Bolts

Camshaft sprocket 12586481 and bolts 12556127 (Qty 3) are used in conjunction with the 3-bolt camshaft design.

Timing Chain Dampener

The timing chain dampener part number 12588670 comes with bolts and is used in conjunction with this design instead of the LS3-style chain tensioner.

Oil Pan

The CT525 Circle Track Crate engine comes complete with Chevrolet Performance circle track oil pan (P/N 19172376) installed, which is only available in kit # 19243065. The pan capacity is 6 quarts of oil (not including filter, cooler, or lines). The pan has a right-hand side kick-out with 5 integral trap doors and uses a 7/8" pickup tube.

Oil Filter Requirements

A remote oil filter is required with the CT525 Circle Track engine. Two -10 AN fittings are located on the left rear of the pan. The front fitting is the feed from the engine oil pump (route this into the oil filter), the rear pan fitting feeds the engine (route the outlet side of the oil filter/cooler line to this fitting). Use as large of an oil filter as possible, ensuring a minimum of 10 GPH flow capacity and 25 micron filtration rating.

Oil Cooler Requirements

A remote oil cooler is required on the CT525 Circle Track engine. The cooler should be mounted after the filter, and should be a minimum of 7" x 14" with a minimum flow capability of 10 GPM (-10 AN inlet size recommended).

Oil Level

Check the oil level once the entire system has been filled, including the filter, cooler, and lines (the pan alone has a capacity of 6 quarts). Check the oil level by removing the oil plug on the top of the right hand side kickout. The oil is full when the level just touches the bottom of this plug.

Oil Temperature Sensor Fitting

A 1/2" NPT oil temperature sensor fitting is provided on the left side of the pan. If a temperature sensor is not used, install a plug into this fitting (use Teflon sealer tape on the plug).

Crankshaft Harmonic Dampener

The CT525 Circle Track Crate engine comes complete with Chevrolet Performance circle track dampener (part number 19242906), the dampener bolt (part number 19242907) and dampener washer (part number 19242908) installed. Additional support has been added to the crankshaft dampener by adding a 3/16 inch dowel pin to retain the dampener in position. Note that the timing marks on the dampener are not indexed to any reference on the engine.

Cooling System

Use a radiator with enough capacity to ensure the engine coolant temperature is between 180 F to 210 F. A surge or expansion tank is also required, attach the bottom of the tank to the front heater hose outlet. An air bleed is also required from the left hand upper head bleed line to the top of the surge tank. Failure to install this air bleed will result in air lock and can cause overheating.

Water Pump Restrictors

The CT525 Circle Track engine does not have a thermostat, instead 2 restrictor plugs are installed in the water pump housing. One (3/16" hole) is installed in place of the thermostat, and the other (3/4" hole) is installed in the water pump outlet fitting. These sizes were determined based on Chevrolet development testing, however the hole sizes may need to be adjusted based on your radiator and cooling setup.

Valve Cover (Left Hand Side) / Breathers

Adequate ventilation and breathing are critical on the CT525 Circle Track engine. The LH valve cover comes equipped with two -16 AN male fittings welded into the cover. The rear fitting utilizes the valve cover baffle, while the front fitting is not baffled. It is critical to set up the ventilation tube routings and heights to allow for drain back in the front fitting. Chevrolet recommends a minimum of 2 breathers for adequate capacity of venting (Chevrolet Performance part number 25534355 includes 2 breathers). Shown below is a configuration that has been successful in Chevrolet development testing.



Sealed (Anti-Tamper) Bolt Covers

The CT525 Circle Track engine is equipped with sealed bolt covers on the intake manifold, front cover, and oil pan. These are specially designed to deter access to internal engine components.

Additional parts that may be needed

Carburetor

A Holley 4150 series carburetor Model 80541-1 (650 cubic feet / minute HP series) is recommended for competition use. (Note: Catalog Dyno numbers were derived using a 80528-1 750 HP carburetor)

Ignition Control System

As indicated above, the CT525 Circle Track Crate engine has individual ignition coils per cylinder and requires an ignition control system and harness. Chevrolet Performance part number 19171130 is recommended for this application and is available from your Chevrolet Performance dealer. (Chevrolet recommends a maximum of 28 degrees of total advance.)



Flywheel

The CT525 Circle Track Crate engine includes an original equipment flexplate (12582437) used on Corvette applications. Flywheel 12571611 is also available from your Chevrolet Performance dealer for manual transmission applications, but circle track applications may require a smaller flywheel available from aftermarket sources.

Pilot Bearing

You must install a pilot bearing in the rear of the crankshaft if the engine will be used with a manual transmission. The pilot bearing aligns the transmission input shaft with the crankshaft centerline. A worn or misaligned pilot bearing can cause shifting problems and rapid wear on the clutch. There are two pilot bearing that will fit the LS series crankshaft. Part number 12557583 is used with a short input shaft transmission and part number 14061685 is used with a long input shaft transmission.

Starter

The CT525 Circle Track Crate engine does not include a starter. Chevrolet Performance part number 10465385 is matched to this application and is recommended. See your Chevrolet Performance dealer for details.

Air Induction

A foam or paper element, low restriction air cleaner should be used to protect the engine from excessive wear and diffuse the air entering the carburetor. The fuel mixture distribution can be upset if no diffuser is used, causing poor power and misfiring at high engine speeds. Always check for adequate hood clearance when installing a new air cleaner. Chevrolet Performance has two chrome 14" air cleaner assemblies for single 4 barrel engines. 12342071 is the Classic design and 12342080 is the high performance design.

Fuel Pump

The CT525 engine does not include a fuel pump or pressure regulator. The fuel system must be capable of supplying a minimum of 50 gph at a minimum of 6 psi pressure when the engine is operating at wide open throttle (WOT). A high volume in-line electric fuel pump is available from Chevrolet Performance (part number 25115899). This heavy duty pump flows 72 gallons per hour at 6-8 psi outlet pressure. **NOTE: A minimum of 12 gauge wire is recommended for the fuel pump electrical supply in order to maintain pump performance due to electrical line loss.**

Recommended Break-In Procedure

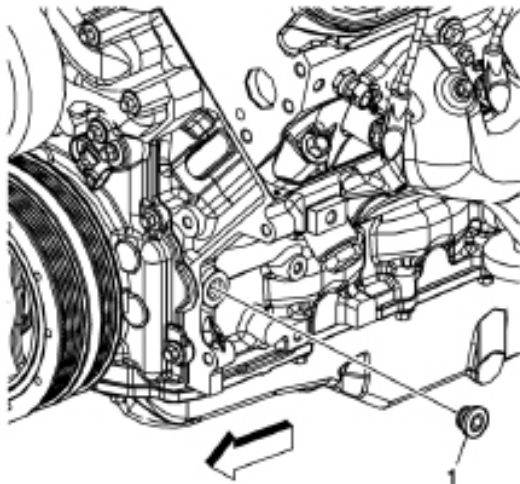
Start-up is critical to ensure engine life. This procedure was written with the intent to provide a quick reference and guideline to starting a new or rebuilt engine if a dynamometer (dyno.) is not available. If you are using a dyno., refer to the dyno. operator's guidelines for start up and initial break in of the engine.

1. Safety First! Make sure you have proper tools as well as eye protection. If the car is on the ground, be sure the wheels are chocked and the transmission is in neutral.
2. Be sure to check the oil level in the engine and prime the oil system then recheck the oil level. It should be at the bottom of the oil level plug when the plug is threaded in the pan.
 - 2a. This engine assembly needs to be filled with oil. After installing the engine, ensure the crankcase has been filled with the appropriate motor oil to the recommended oil fill level.

Correct oil level with this circle track oil pan is achieved when the oil just touches the bottom of the indicator plug with the plug fully threaded into the oil pan bung. [The pan alone holds 6 qts] the remote oil filter and cooler will be additional oil. A BRAND NEW ENGINE OIL COOLER MUST BE USED, WITH A MIN FLOW OF 10 GPM. It is recommended that Mobil 1 5W-30 motor oil or equivalent be used (engine oil must meet GM4718M specification which will be indicated on the oil label, Mobil 1 meets this specification). Also check and fill as required any other necessary fluids such as coolant, power steering fluid, etc.

2b. This engine **MUST** be primed with oil before starting. The use of Kent-Moore engine preluber kit J45299 is the preferred process for priming.

NOTE: A constant and continuous flow of clean engine oil is required in order to properly prime the engine. Be sure to use approved engine oil, as specified



1. Remove the engine oil filter, and fill with clean engine oil.
2. Install the oil filter and tighten.
3. Locate and remove the engine block left front oil gallery plug (1).
4. Install the M16 x 1.5 adapter P/N 509375.

J 45299 Engine Preluber



5. Install the flexible hose to the adapter and open the valve.
6. Pump the handle on the J45299 preluber in order to flow a minimum of 1-1.9 liters (1-2 quarts) engine oil. Observe the flow of engine oil through the flexible hose and into the engine assembly. The engine will be primed after a small amount of pressure change is seen on the in car oil pressure gauge while pumping J45299
7. Close the valve and remove the flexible hose and adapter from the engine.
8. Apply approved thread sealer and Install the oil gallery plug to the engine and tighten to 60 N•m (44 lb ft). Top-off the engine oil to the proper level.



Due to the empty hoses, oil filter, and oil cooler it is much more important to prime this set up vs. a street driven or OEM engine.

In the absence of a preluber kit, the following process can be used. Install an oil pressure gauge (the existing oil pressure sensor location at the upper rear of the engine may be used). Disconnect fuel and the ignition control system (removing power from the ignition control module is recommended). Note: Make sure that no fuel or ignition power can be provided to the engine. Remove all of the spark plugs which will reduce the load on the engine bearings and starter motor during the oil priming sequence.

- 2c. Once, the fuel and ignition control systems have been disconnected, crank the engine using the starter for 10 seconds and check for oil pressure. If no pressure is indicated, wait 30 seconds and crank again for 10 seconds. Repeat this process until oil pressure is indicated on the gauge.
3. Reconnect the fuel and ignition control systems. Start the engine and listen for any unusual noises. If no unusual noises are noted, run the engine from idle to approximately 1800 RPM, then 0% throttle back to idle. Perform this sequence continuously up and down until normal operating temperature is reached.

**DO NOT RUN THE ENGINE AT A CONSTANT HIGH RPM WITH NO LOAD.
VARYING RPM, IDLE TO 1800 RPM UP AND DOWN IS ALL THAT IS NEEDED.**

4. When possible, you should always allow the engine to warm up prior to driving. It is a good practice to allow the oil sump and water temperature to reach 180°F before applying heavy loads or performing hard acceleration runs.
5. Adjust Carburetor (carb.) settings. Idle mixture screws, base idle, floats, Etc.
6. After first 30 minutes of the engine running, re-set carb. adjustments.
7. Drive the vehicle at varying speeds and loads for first 30 laps. Be sure to avoid Wide Open Throttle (WOT) and sustained high RPM accelerations
8. Run 5-6 medium-throttle accelerations to about 4500 rpm and let off in gear and coast back down to 2000 rpm, after each acceleration.
9. Perform several (WOT) accelerations to 5000 rpm. Allow the engine to return to idle, with the throttle blade shut. This procedure will assist in seating the rings properly.
10. Change the oil and filter. Replace the oil following the procedure in step 2a. from above. Use as large of an oil filter as possible, ensuring a minimum of 10 Gallons Per Hour (GPH) flow capacity and 25 micron filtration rating. Inspect the oil and oil filter for any foreign particles to ensure that the engine is functioning properly.
11. Drive the next 25 laps without high rpm's (below 5000 rpm), hard use, or extended periods of high loading.
12. Change the oil and filter again.
13. Your engine is now ready for racing.



CT525 Circle Track Crate Engine Specifications

Type	6.2L Gen IV Small Block V8
Displacement	376 cubic inches
Bore x Stroke	4.065 inch x 3.62 inch
Compression.....	10.7:1
Block	Cast aluminum, six bolt cross-bolted main caps
Cylinder Head	Cast aluminum rectangle port
Valve Diameter (Intake/Exhaust)	2.165"/1.590"
Chamber Volume	68cc
Crankshaft	Nodular iron, internally balanced
Connecting Rods	Powdered metal
Pistons	Hypereutectic aluminum
Camshaft	Hydraulic roller tappet
Lift.....	.525" intake, .525" exhaust
Duration	226° intake, 236° exhaust @.050" tappet lift
Centerline	110° LSA
Rocker Arm Ratio.....	1.7:1
Oil Capacity	6 quarts without filter
Oil Pressure (Minimum, with hot oil)	6 psig @ 1000 RPM
.....	18 psig @ 2000 RPM
.....	24 psig @ 4000 RPM
Recommended Oil	15w50 Mobil 1 motor oil or equivalent (must meet GM4718M specification)
Fuel.....	Premium unleaded - 92 (R+M/2)
Maximum Engine Speed	6700 RPM
Spark Plugs	12571164
.....	AC Delco # 41-985
Spark Plug Gap040"
Firing Order	1-8-7-2-6-5-4-3

Information may vary with application. All specifications listed are based on the latest production information available at the time of printing.

CT525 Circle Track Crate Engine Torque Specifications

<u>Application</u>	<u>Specification</u>	
	<u>Metric</u>	<u>English</u>
Camshaft Position (CMP) Sensor Bolt	10 N•m.....	89 lb in
CMP Sensor Wire Harness Bolt	10 N-m.....	89 lb in
Camshaft Retainer Bolts – Hex Head Bolts.....	25 N•m.....	18 lb ft
Camshaft Retainer Bolts - TORX® Head Bolts	15 N•m.....	11 lb ft
Camshaft Sprocket Bolts	25 N•m.....	18 lb ft
Connecting Rod Bolts - First Pass.....	20 N•m.....	15 lb ft
Connecting Rod Bolts - Final Pass.....	85 degrees	
Coolant Air Bleed Pipe and Cover Bolts	12 N•m.....	106 lb in
Coolant Temperature Sensor.....	20 N•m.....	15 lb ft
Crankshaft Balancer Bolt.....	318 N•m	235 lb ft
Crankshaft Bearing Cap M10 Bolts - First Pass in Sequence	20 N•m.....	15 lb ft



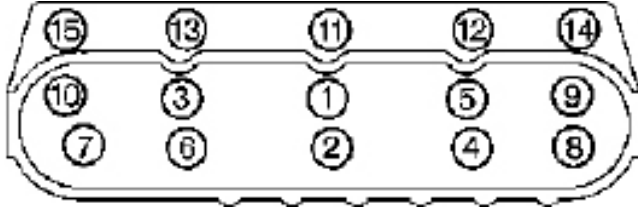
CT525 Circle Track Crate Engine Torque Specifications-continued

Crankshaft Bearing Cap M10 Bolts - Final Pass in Sequence	80 degrees
Crankshaft Bearing Cap M10 Studs - First Pass in Sequence.....	20 N•m..... 15 lb ft
Crankshaft Bearing Cap M10 Studs - Final Pass in Sequence	51 degrees
Crankshaft Bearing Cap M8 Bolts - first pass.....	20 N•m..... 15 lb ft
Crankshaft Bearing Cap M8 Bolts - final pass.....	30 N•m..... 22 lb ft
Crankshaft Oil Deflector Nuts	25 N•m..... 18 lb ft
Crankshaft Position (CKP) Sensor Bolt.....	25 N•m..... 18 lb ft
Crankshaft Rear Oil Seal Housing Bolts.....	25 N•m..... 18 lb ft
Cylinder Head M11 Bolts - First Pass in Sequence.....	30 N•m..... 22 lb ft
Cylinder Head M11 Bolts - Second Pass in Sequence.....	90 degrees
Cylinder Head M11 Bolts - Final Pass in Sequence	70 degrees
Cylinder Head M8 Bolts - in Sequence.....	30 N•m..... 22 lb ft
Cylinder Head Coolant Plug	20 N•m..... 15 lb ft
Engine Block Coolant Drain Hole Plug	60 N•m..... 44 lb ft
Engine Block Oil Gallery Plug.....	60 N•m..... 44 lb ft
Exhaust Manifold Bolts - First Pass.....	15 N•m..... 11 lb ft
Exhaust Manifold Bolts - Final Pass	20 N•m..... 15 lb ft
Exhaust Manifold Heat Shield Bolts	9 N•m..... 80 lb in
Exhaust Manifold Studs.....	20 N•m..... 15 lb ft
Flywheel Bolts - First Pass	20 N•m..... 15 lb ft
Flywheel Bolts - Second Pass	50 N•m..... 37 lb ft
Flywheel Bolts - Final Pass	100 N•m 74 lb ft
Front Cover Bolts.....	25 N•m..... 18 lb ft
Ignition Coil Bracket-to-Valve Rocker Arm Cover Stud.....	12 N•m..... 106 lb in
Ignition Coil-to-Bracket Bolts	10 N•m..... 89 lb in
Intake Manifold Bolts - First Pass in Sequence	5 N•m..... 45 lb in
Intake Manifold Bolts - Final Pass in Sequence	10 N•m..... 90 lb in
J 41798 M8 Bolt	25 N•m..... 18 lb ft
J 41798 M10 Bolts.....	50 N•m..... 37 lb ft
Knock Sensor Bolts	25N•m..... 18 lb ft
Motor Mount Bracket Bolts	50 N•m..... 37 lb ft
Oil Pan M6 Bolts - Oil Pan-to-Rear Oil Seal Housing.....	12 N•m..... 106 lb in
Oil Pan M8 Bolts - Oil Pan-to-Engine Block and Oil Pan-to-Front Cover	25 N•m..... 18 lb ft
Oil Pump Cover Bolts	12 N•m..... 106 lb in
Oil Pump Relief Valve Plug.....	12 N•m..... 106 lb in
Oil Pump Screen Nuts	25 N•m..... 18 lb ft
Oil Pump Screen-to-Oil Pump Bolt.....	12 N•m..... 106 lb in
Oil Pump-to-Engine Block Bolts	25 N•m..... 18 lb ft
Spark Plugs	15 N•m..... 11 lb ft
Timing Chain Dampener Bolts.....	30 N•m..... 22 lb ft

CT525 Circle Track Crate Engine Torque Specifications-continued

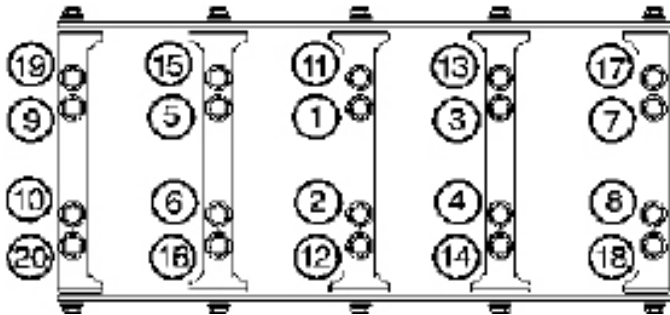
Valley Cover Bolts	25 N•m.....	18 lb ft
Valve Lifter Guide Bolts	12 N•m.....	106 lb in
Valve Rocker Arm Bolts	30 N•m.....	22 lb ft
Valve Rocker Arm Cover Bolts	12 N•m.....	106 lb in
Water Inlet Housing Bolts	15 N•m.....	11 lb ft
Water Pump Bolts - First Pass	15 N•m.....	11 lb ft
Water Pump Bolts - Final Pass.....	30 N•m.....	22 lb ft

CT525 Circle Track Crate Engine Torque Sequences



Cylinder Head Bolts

Crankshaft Bearing Cap Bolts and Studs (arrow indicates front of engine)



CT525 Circle Track Crate Engine Service Parts List

Part Number	Qty	Name
12569167	8	ARM ASM,INTAKE VALVE ROCKER
10214664	8	ARM ASM,VALVE ROCKER
19242906	1	BALANCER,CRANKSHAFT
89017572	1	BEARING KIT, CRANKSHAFT (POSITION 3)
89017571	4	BEARING KIT, CRANKSHAFT (POSITIONS 1,2,4,5)
89017573	8	BEARING KIT,CONNECTING ROD
19167218	1	BEARING,CAMSHAFT (POSITION 3)
19167383	2	BEARING,CAMSHAFT (POSITIONS 1,5)
19167382	2	BEARING,CAMSHAFT (POSITIONS 2,4)
12623967	1	BLOCK ASM,ENGINE
11515756	4	BOLT/SCREW,CAMSHAFT RETAINER



Part Number	Qty	Name
12556127	3	BOLT/SCREW,CAMSHAFT SPROCKET
11561455	4	BOLT/SCREW,CAMSHAFT THRUST PLATE
11570662	16	BOLT/SCREW,CONNECTING ROD
19242907	1	BOLT/SCREW,CRANKSHAFT BALANCER
12560272	10	BOLT/SCREW,CRANKSHAFT BRG CAP
12556127	10	BOLT/SCREW,CRANKSHAFT BRG CAP (SIDE)
11588723	12	BOLT/SCREW,CRANKSHAFT RR OIL SEAL
11515756	1	BOLT/SCREW,CRANKSHAFT POSITION SENSOR
19258707	20	BOLT/SCREW,CYLINDER HEAD
12558840	10	BOLT/SCREW,CYLINDER HEAD
11518075	11	BOLT/SCREW,ENG BLOCK VALLEY
11588715	4	BOLT/SCREW,ENG COOLANT AIR BLEED PIPE
11515758	8	BOLT/SCREW,ENG FRT COVER
11588712	2	BOLT/SCREW,ENG FRT COVER
11515767	4	BOLT/SCREW,ENG LIFT BRACKET
11519840	12	BOLT/SCREW,EXH MANIFOLD HEAT SHIELD
11518860	12	BOLT/SCREW,EXHAUST MANIFOLD FLANGE
11569956	6	BOLT/SCREW,FLYWHEEL
11516424	8	BOLT/SCREW,IGNITION COIL
11562426	8	BOLT/SCREW,IGNITION COIL
11515758	13	BOLT/SCREW, OIL PAN
11516424	2	BOLT/SCREW, OIL PAN
11515758	4	BOLT/SCREW, OIL PUMP
11519133	7	BOLT/SCREW, OIL PUMP COVER
11588712	1	BOLT/SCREW, OIL PUMP SUCTION PIPE
3531733	8	BOLT/SCREW, PCV BFL
11519681	2	BOLT/SCREW,T IMING CHAIN DAMPENER
12551163	4	BOLT/SCREW, VALVE LIFTER GUIDE
12560961	16	BOLT/SCREW,VALVE ROCKER ARM
12577215	8	BOLT/SCREW,VALVE ROCKER ARM
12551926	6	BOLT/SCREW,WATER PUMP
11516480	2	BOLT/SCREW,WATER PUMP INLET
12580353	1	BRACKET,IGNITION COIL (RH)
88958738	1	BRACKET,IGNITION COIL (LH) Reworked coil bracket, not available
88958745	1	BRACKET,IGNITION COIL (LH) Reworked coil bracket, not available
88958770	1	CAMSHAFT ASM
10166344	16	CAP,VALVE SPRING
12586482	1	CHAIN ASM,TIMING
12611424	8	COIL ASM,IGNITION
12599296	1	COVER ASM,ENG BLK VALLEY
12602540	2	COVER ASM,ENG COOL AIR BLD PIPE HOLE



Part Number	Qty	Name
12633906	1	COVER ASM,ENG FRT
88958737	1	COVER ASM,VALVE ROCKER ARM (LEFT) Reworked valve cover not available
12637684	1	COVER ASM,VALVE ROCKER ARM (RIGHT)
12597569	1	CRANKSHAFT ASM
12588670	1	DAMPENER ASM,TIMING CHAIN
12558189	1	DEFLECTOR,CRANKSHAFT OIL
19172114	1	GASKET KIT,INT MANIFOLD (2 PER KIT)
12639249	1	GASKET,CRANKSHAFT RR OIL SEAL
12610046	2	GASKET,CYL HD
12610141	1	GASKET,ENG BLK VALLEY COVER
12633904	1	GASKET,ENG FRT COVER
12617944	2	GASKET,EXHAUST MANIFOLD
12612350	1	GASKET, OIL PAN
12637683	2	GASKET,VALVE ROCKER ARM COVER
12630223	2	GASKET,WATER PUMP
12595365	4	GUIDE, VALVE LIFTER
12629063	2	HEAD ASM,CYL (W/VALVES)
12600254	1	HOSE,ENG COOL AIR BLEED PIPE
12639250	1	HOUSING ASM,CRANKSHAFT RR OIL SEAL
12561513	1	KEY,CRANKSHAFT BALANCER
10166345	32	KEY,VALVE STEM
17122490	16	LIFTER ASM,VALVE
12603758	1	MANIFOLD,EXHAUST (LEFT)
12603760	1	MANIFOLD,EXHAUST (RIGHT)
25534401	1	MANIFOLD,INTAKE
11516076	9	NUT,CRANKSHAFT OIL DEFLECTOR
11516076	1	NUT,OIL PUMP SUCTION PIPE
19172376	1	PAN ASM, OIL . only available as a oil pan kit p/n 19243065.
12570326	4	PIN,CYL HD LOC
01453658	2	PIN,TRANS LOC
12602548	1	PIPE ASM,ENG COOL AIR BLEED
19207287	8	PISTON ASM,(W/ PIN)
12582437	1	PLATE ASM,A/TRNS FLEX (W/HUB)
11610259	1	PLUG ASM,CYL HD CORE HOLE
09427693	1	PLUG ASM,ENG BLK OIL GALLEY
12573460	1	PLUG ASM,ENG BLK OIL GALLEY
11588949	2	PLUG ASM,ENG BLK OIL GALLEY
11610259	1	PLUG,CYL HD CORE HOLE
11588949	1	PLUG,ENG BLK COOL DRN HOLE
11611351	1	PLUG,ENG BLK COOL DRN HOLE
12602048	2	PLUG,ENG COOL AIR BLEED



Part Number	Qty	Name
12557520	1	PLUG,OIL LEVEL INDICATOR TUBE
12621258	8	PLUG,SPARK [A/C # 41-110]
12586665	1	PUMP ASM,OIL
19180610	1	PUMP KIT,WATER
12589016	1	RETAINER,CAMSHAFT
12569638	16	RETAINER,PISTON PIN
19168090	8	RING KIT,PISTON
12586768	1	RING,CRANKSHAFT POSITION SENSOR EXCITER
12649190	8	ROD ASM,CONNECTING
10238852	16	ROD ASM,VALVE PUSH
12585673	1	SEAL ASM,CRANKSHAFT FRT OIL
89060436	1	SEAL KIT,CRANKSHAFT RR OIL
12610160	8	SEAL,ENG BLOCK VALLEY COVER
12602541	2	SEAL,ENG COOLANT AIR BL PIPE (O RING)
12585673	1	SEAL,ENG FRT COVER
12482062	8	SEAL,EXH VALVE STEM OIL
12482063	8	SEAL,INT VALVE STEM OIL
12557752	1	SEAL,OIL PUMP SUCTION PIPE (O RING)
12587397	1	SEAL,WAT INLET
12591720	1	SENSOR ASM,CAMSHAFT POSITION
12585546	1	SENSOR ASM,CRANKSHAFT POSITION
12608814	1	SENSOR ASM,ENG COOLANT TEMP
12616646	1	SENSOR ASM,ENG OIL PRESSURE
12623730	2	SENSOR ASM,KNOCK
12576823	1	SHIELD,EXHAUST MANIFOLD HEAT (LEFT)
12576822	1	SHIELD,EXHAUST MANIFOLD HEAT (RIGHT)
15336959	1	SHIELD,SPARK PLUG WIRE
12625033	16	SPRING ASM,VALVE
12586481	1	SPROCKET,CAMSHAFT
12556582	1	SPROCKET,CRANKSHAFT
12560273	10	STUD,CRANKSHAFT BRG CAP
11518424	4	STUD,EXHAUST MANIFOLD
12554211	10	STUD,IGNITION COIL BRKT
12600936	2	SUPPORT,VALVE ROCKER ARM PIVOT
12582719	8	VALVE,EXHAUST
12569427	8	VALVE,INTAKE
19242908	1	WASHER,CRANKSHAFT BALANCER
12627501	1	WIRE ASM,CAMSHAFT POSITION SENSOR
12579355	2	WIRE ASM,IGNITION COIL
19206446	8	WIRE ASM,SPARK PLUG



Instructions et spécifications du moteur en caisse de piste circulaire CT525 Numéro de pièce des caractéristiques techniques : 19244554

Nous vous remercions d'avoir choisi Chevrolet Performance comme source de haute performance. Chevrolet Performance s'est engagée à offrir une technologie de rendement éprouvée et novatrice qui est réellement... beaucoup plus que de la puissance. Les pièces de Chevrolet Performance ont été conçues, élaborées et mises à l'essai de manière à dépasser vos attentes de réglage précis et de fonction. Veuillez vous reporter à notre catalogue pour connaître le centre Chevrolet Performance autorisé le plus près de chez vous ou visitez notre site Web à www.chevroletperformanceparts.com

La présente publication offre de l'information d'ordre général sur les composants et les procédures pouvant s'avérer utile lors de l'installation ou de l'entretien du moteur en caisse de piste circulaire CT525. Veuillez lire en entier la présente publication avant de commencer à travailler.

Le moteur en caisse de piste circulaire CT525 est assemblé au moyen de composants neufs de première qualité et basé sur l'architecture de la série LS de génération IV. Il y a une vaste gamme d'applications de moteurs à bloc compact, si l'on pose en après-vente une application antérieure à bloc compact, il se peut que l'on constate des différences de pose entre le moteur en caisse de piste circulaire CT525 actuel et la version précédente. Ces différences peuvent nécessiter des modifications ou des composants supplémentaires qui ne sont pas compris avec le moteur en caisse de piste circulaire CT525, y compris les systèmes de refroidissement, électrique et d'échappement, ainsi que le circuit d'alimentation. Il se peut qu'une certaine fabrication soit requise.

Le moteur en caisse de piste circulaire CT525 présente une bobine d'allumage par cylindre et requiert un système de commande d'allumage et un faisceau de câbles. Le numéro de pièce Chevrolet Performance 19171130 est recommandé pour cette application et est offert par le concessionnaire Performance.

Ces caractéristiques techniques ne sont pas destinées à remplacer les pratiques d'entretien complètes et détaillées expliquées dans les manuels d'atelier GM. Pour obtenir de l'information sur l'étendue de la garantie, prière de communiquer avec le concessionnaire Chevrolet Performance local.

Observer toutes les précautions et tous les avertissements en matière de sécurité présentés dans les manuels de réparation au moment de poser ce moteur en caisse de piste circulaire CT525 dans n'importe quel véhicule. Porter un protecteur pour la vue et des vêtements de protection appropriés. Lorsqu'on travaille sous un véhicule ou autour de celui-ci, le soutenir solidement à l'aide de chandelles. Utiliser seulement les outils appropriés. Faire preuve d'extrême prudence lorsqu'on travaille avec des liquides ou des matériaux inflammables, corrosifs ou dangereux. Certaines procédures nécessitent l'utilisation d'un équipement spécial et des habiletés particulières. Si vous ne possédez pas la formation, l'expertise et les outils nécessaires pour effectuer toute partie de cette conversion en toute sécurité, ce travail devrait être réalisé par un professionnel.

Information juridique et relative aux émissions

La présente publication a pour objet d'offrir des renseignements sur le moteur en caisse de piste circulaire CT525 et les composants connexes. Ce guide décrit également les procédures et les modifications pouvant s'avérer utiles lors de l'installation d'un moteur en caisse de piste circulaire CT525. Ces renseignements ne sont pas destinés à remplacer les manuels de réparation complets et les catalogues de pièces en matière de moteurs et de composants de la General Motors. Plutôt, ce guide a été conçu pour offrir des renseignements supplémentaires sur les matières pouvant intéresser les «bricoleurs» et les mécaniciens.

Cette publication s'applique aux moteurs et aux véhicules qui sont utilisés hors des voies publiques, sauf indication contraire expresse. Les règlements fédéraux restreignent la dépose des véhicules automobiles de toute partie d'un système antipollution exigé par la loi fédérale. En outre, de nombreux États ont établi des lois qui interdisent le trafiquage ou la modification de tout système antipollution ou antibruit exigé par la loi. En règle générale, les véhicules qui ne roulent pas sur les voies publiques, tout comme certains véhicules d'intérêt spécial et pré-émissions, sont exempts de la plupart de la réglementation. On suggère fortement au lecteur de consulter tous les règlements municipaux et provinciaux applicables.

Plusieurs des pièces qui sont décrites ou énumérées dans le présent ouvrage sont commercialisées à des fins hors autoroute seulement et elles portent l'étiquette «Special Parts Notice» (avis sur les pièces spéciales) qui est reproduite ici.

Avis spécial sur les pièces

Cette pièce a été conçue spécifiquement pour une application hors route seulement. Puisque la pose de cette pièce pourrait nuire au rendement antipollution du véhicule ou donner lieu à son manque d'homologation en vertu des normes de sécurité actuelles des véhicules automobiles, celle-ci ne doit pas être posée dans un véhicule qui sera utilisé sur une voie publique ou une autoroute. En outre, une telle application pourrait donner lieu à l'annulation de la garantie d'un tel véhicule sur route ou autoroute.

Les renseignements contenus dans cette publication sont présentés sans aucune garantie. Tout risque encouru pendant l'utilisation de cette publication est entièrement assumé par l'utilisateur. La conception de composant spécial, les procédures mécaniques et les qualifications de chaque lecteur sont hors du contrôle de l'éditeur et c'est pourquoi il décline toute responsabilité afférente en lien avec l'utilisation des renseignements fournis dans cette publication.

Chevrolet, l'emblème Chevrolet et General Motors sont des marques déposées de General Motors Corporation. Chevy est une marque de commerce de General Motors Corporation.

Contenu de l'ensemble :

<u>Article</u>	<u>Description</u>	<u>Quantité</u>
1	Ensemble de moteur	1
2	Instructions relatives au moteur	1

Renseignements sur le composant et exigences supplémentaires

Le moteur en caisse de piste circulaire CT525 utilise des composants de série LS3 à l'exception des composants ci-dessous. Le concessionnaire de Performance peut retrouver des renseignements techniques supplémentaires qui ne figurent pas dans le présent document sous l'EFC LS3 (Corvette) et ce, pour tous les composants sauf ceux qui sont mentionnés ci-dessous. Les renseignements de ces articles sont inclus dans le présent document. Si vous avez besoin de renseignements supplémentaires pour les composants du système d'arbre à cames, reportez-vous au manuel LS2 2006 (Corvette), qui utilise la même conception de système d'arbre à cames.

Tubulure d'admission

Les joints numéros de pièce 25534401 et 19172114 (quantité 2) de tubulure d'admission Chevrolet Performance sont posés sur le moteur en caisse de piste circulaire CT525.

Arbre à cames

Le moteur en caisse de piste circulaire CT525 utilise l'arbre à cames Chevrolet Performance 88958770, doté d'une fixation de pignon à 3 boulons.

Pignon d'arbre à cames et boulons

Le pignon d'arbre à cames 12586481 et les boulons 12556127 (quantité de 3) sont utilisés conjointement avec le modèle d'arbre à cames à 3 boulons.

Amortisseur de chaîne de distribution

L'amortisseur de chaîne de distribution (numéro de pièce 12588670) est vendu avec les boulons et est utilisé conjointement avec cette conception au lieu du tendeur de chaîne de style LS3.

Carter d'huile

Le moteur en caisse de piste circulaire CT525 complet est vendu avec le carter d'huile de piste circulaire Chevrolet Performance (N/P 19172376) posé, uniquement offert dans le nécessaire numéro 19243065. La capacité du carter est de 6 pintes d'huile (excluant le filtre, le refroidisseur et les canalisations). Le carter est doté d'un déflecteur droit avec 5 volets d'aérogation intégrés et utilise un tube plongeant de 7/8 po.

Exigences en matière de filtre à huile

Un filtre à huile auxiliaire est nécessaire avec le moteur de piste circulaire CT525. Deux raccords -10 AN se trouvent à l'arrière gauche du carter. Le raccord avant est l'alimentation provenant de la pompe à huile du moteur (acheminer cette partie dans le filtre à huile), le raccord de carter arrière alimente le moteur (acheminer le côté sortie de la conduite de filtre à huile/refroidisseur à ce raccord). Utiliser un filtre à huile aussi gros que possible afin d'assurer une capacité de débit minimale de 10 gal/h et une finesse de filtration de 25 microns.

Exigences en matière de refroidisseur d'huile

Un refroidisseur à huile auxiliaire est nécessaire sur le moteur de piste circulaire CT525. Le refroidisseur doit être monté après le filtre, sa dimension doit être d'au moins 7 po x 14 po avec une capacité de débit minimale de 10 gal/h (dimension de l'entrée de -10 AN recommandée).

Niveau d'huile

Vérifier le niveau d'huile une fois le système rempli en entier, y compris le filtre, le refroidisseur et les canalisations (le carter à lui seul a une capacité de 6 pintes). Vérifier le niveau d'huile en retirant le bouchon d'huile sur le dessus du déflecteur droit. L'huile est à pleine capacité lorsque le niveau affleure la partie inférieure du bouchon.

Raccord de sonde de température d'huile

Un raccord de sonde de température d'huile 1/2 po NPT se trouve du côté gauche du carter. Si aucune sonde de température n'est utilisée, poser un bouchon dans le raccord (utiliser du ruban d'étanchéité au Téflon sur le bouchon).

Amortisseur de Vibrations de Torsion

Le moteur en caisse de piste circulaire CT525 est vendu avec l'amortisseur de vibrations de piste circulaire Chevrolet Performance (numéro de pièce 19242906), le boulon d'amortisseur (numéro de pièce 19242907) et la rondelle d'amortisseur (numéro de pièce 19242908) posés. On a ajouté un soutien supplémentaire à l'amortisseur de vibrations de vilebrequin en ajoutant un goujon de 3/16 pouce pour maintenir l'amortisseur en place. Veuillez noter que les repères de calage de distribution sur l'amortisseur de vibrations ne sont indexés à aucune référence sur le moteur.

Système de refroidissement

Utiliser un radiateur dont la capacité est suffisante pour insérer une température de liquide de refroidissement du moteur situé entre 180 et 210 Fahrenheit. Un réservoir d'expansion est également nécessaire ; raccorder la base du réservoir à la sortie du flexible de chauffage avant. Il faut également une purge d'air allant de la conduite de purge de culasse supérieure gauche jusqu'à la partie supérieure du réservoir d'expansion. Le fait de ne pas poser de purge d'air entraînera un sas d'air et peut entraîner une surchauffe.

Limiteurs de pompe à eau

Le moteur en caisse de piste circulaire CT525 n'est pas doté d'un thermostat, mais plutôt de 2 bouchons limiteurs posés sur le boîtier de la pompe à eau. Un des bouchons limiteurs (orifice de 3/16 po) est posé au lieu du thermostat et l'autre (orifice de 3/4 po) est posé dans le raccord de sortie de pompe à eau. On a déterminé ces dimensions d'après des essais menés par l'équipe de développement Chevrolet. Toutefois, vous devrez peut-être ajuster la dimension des orifices en fonction du radiateur et du circuit de refroidissement.

Couvercle de Soupapes (côté gauche) / aérateurs

Une ventilation et une aération adéquates sont essentielles au moteur de piste circulaire CT525. Le couvercle de soupapes gauche est vendu avec deux raccords mâles -16 AN soudés sur le couvercle. Le raccord arrière utilise le déflecteur de couvercle de soupapes, alors que le raccord avant n'est doté d'aucun déflecteur. Il est essentiel d'établir l'acheminement et la hauteur du tube de ventilation de façon à permettre un écoulement dans le raccord avant. Chevrolet recommande un minimum de 2 aérateurs pour obtenir une capacité de ventilation adéquate (le numéro de pièce Chevrolet Performance 25534355 comprend de 2 aérateurs). La configuration ci-dessous a réussi les essais menés par le développement Chevrolet.



Couvercles de boulon étanches (antivol)

Le moteur de piste circulaire CT525 est doté de couvercles de boulon étanches sur la tubulure d'admission, le couvercle avant et le carter d'huile. Ils sont spécialement conçus pour empêcher l'accès aux composants internes du moteur.

Pièces supplémentaires pouvant être requises

Carburateur

Un carburateur de la série Holley 4150 modèle 80541-1 (série HP de 650 pieds cubes / minute) est recommandé pour la compétition. (Remarque : Les numéros du catalogue Dyno sont dérivés de l'utilisation d'un carburateur 80528-1 de 750 HP).

Système de commande d'allumage

Comme il est indiqué ci-dessus, le moteur en caisse de piste circulaire CT525 présente une bobine d'allumage par cylindre et requiert un système de commande d'allumage et un faisceau de câbles. Le numéro de pièce Chevrolet Performance 19171130 est recommandé pour cette application et est offert par le concessionnaire Chevrolet Performance. (Chevrolet recommande une avance totale d'un maximum de 28 degrés.)

Volant moteur

Le moteur en caisse de piste circulaire CT525 comprend une tôle d'entraînement d'origine (12582437) utilisée sur les applications de Corvette. Le concessionnaire Chevrolet Performance offre également le volant moteur 12571611 pour les applications de boîte de vitesses manuelle, mais les applications de piste circulaire exigent un volant moteur plus petit offert sur le marché secondaire.

Roulement-guide

On doit installer un roulement-guide derrière le vilebrequin si l'on prévoit utiliser le moteur conjointement avec une boîte manuelle. Le roulement-guide aligne l'arbre primaire de la boîte de vitesses avec l'axe central du vilebrequin. Un roulement-guide usé ou désaligné peut provoquer des anomalies de changement de vitesse et une usure rapide de l'embrayage. Il y a deux roulements-guides qui peuvent être posés sur le vilebrequin de série LS. Le numéro de pièce 12557583 est utilisé avec une boîte de vitesses à arbre d'entrée court et le numéro de pièce 14061685 est utilisé avec une boîte de vitesses à arbre d'entrée long.

Démarrateur

Le moteur en caisse de piste circulaire CT525 ne comprend aucun démarreur. Le numéro de pièce Chevrolet Performance 10465385 correspond à cette application et est recommandé. Prière de consulter son concessionnaire Chevrolet Performance pour obtenir les détails.

Admission d'air

On doit utiliser un filtre à air à faible restriction doté d'un élément en mousse ou en papier pour protéger le moteur contre l'usure excessive et diffuser l'air entrant dans le carburateur. La distribution du mélange de carburant peut être dérangée si aucun diffuseur n'est utilisé, ce qui entraîne une mauvaise puissance et des ratés à régime moteur élevé. Toujours assurer un bon dégagement du capot à la pose d'un nouveau filtre à air. Chevrolet Performance offre deux ensembles filtre à air 14 po chromé pour les moteurs à 4 corps simples. Le numéro 12342071 est la conception classique et le numéro 12342080 est la conception haute performance.

Pompe à carburant

Le moteur CT525 ne comprend aucune pompe à carburant ou régulateur de pression. Le circuit d'alimentation en carburant doit être en mesure d'alimenter un minimum de 50 gal/h à une pression minimale de 6 psi lorsque le moteur fonctionne à plein régime (WOT). Une pompe à carburant électrique intégrée à haut volume est offerte par Chevrolet Performance (numéro de pièce 25115899). Cette pompe à service intense fournit 72 gallons par heure à une pression de sortie de 6 à 8 psi. **REMARQUE : Un fil de calibre 12 (minimum) est recommandé pour l'alimentation électrique de la pompe à carburant afin d'assurer le rendement de la pompe en cas de perte de ligne électrique.**

Procédure de rodage recommandée

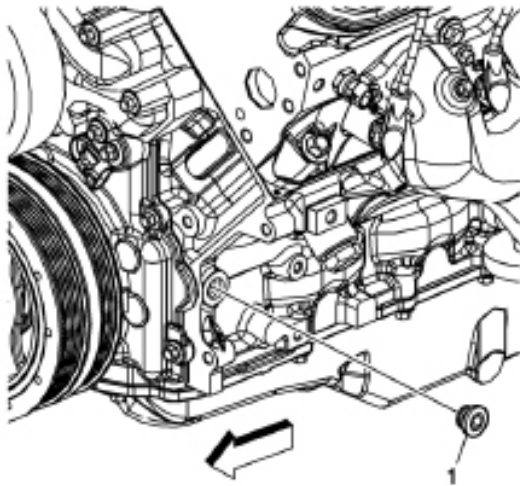
Le démarrage est essentiel à la durée de vie du moteur. Cette procédure a été écrite avec l'intention de fournir une référence rapide et des directives pour démarrer un nouveau moteur ou un moteur reconstruit si aucun dynamomètre est à disposition. Si vous utilisez un dynamomètre, reportez-vous aux directives d'utilisation du dynamomètre pour le démarrage et le rodage initial du moteur.

1. La sécurité d'abord ! S'assurer d'avoir les outils adéquats ainsi qu'une protection pour les yeux. Si la voiture est au sol, s'assurer que les roues sont bloquées et que la boîte de vitesses est au point mort (N).
2. S'assurer de vérifier le niveau d'huile dans le moteur et amorcer le circuit d'huile, puis revérifier le niveau de huile. Lorsque le bouchon est vissé dans le carter, l'huile doit affleurer la partie inférieure du bouchon de niveau d'huile.
- 2a. Ce moteur doit être rempli d'huile. Après avoir posé le moteur, s'assurer que le carter de vilebrequin a été rempli avec l'huile moteur appropriée jusqu'au niveau de remplissage d'huile recommandé.

On obtient le bon niveau d'huile avec ce carter d'huile de piste circulaire lorsque l'huile touche tout juste la partie inférieure du bouchon indicateur lorsqu'il est complètement vissé dans l'orifice du carter d'huile. [Le carter à lui seul contient 6 pintes], le filtre à huile auxiliaire et le refroidisseur auxiliaire demandent de l'huile supplémentaire. **ON DOIT UTILISER UN REFROIDISSEUR D'HUILE MOTEUR NEUF, AVEC UN DÉBIT MINIMAL DE 10 GAL/M.** On recommande l'utilisation de l'huile moteur 5W-30 Mobil 1 ou une huile équivalente (l'huile moteur doit satisfaire les spécifications GM4718M, indiquées sur l'étiquette du contenant d'huile ; l'huile Mobil 1 satisfait cette norme). Vérifier et ajouter tout autre liquide nécessaire, comme du liquide de refroidissement, du liquide de direction assistée, etc.

2b. Ce moteur DOIT être amorcé avec de l'huile avant le démarrage. L'utilisation de la trousse de prélubrificateur de moteur Kent-More J45299 constitue le processus d'amorçage privilégié.

REMARQUE : Pour amorcer correctement le moteur, il faut un débit régulier et continu d'huile moteur propre. S'assurer d'utiliser une huile moteur approuvée, comme il est indiqué.



1. Déposer le filtre d'huile du moteur et le remplir d'huile moteur propre.
2. Poser le filtre à huile et serrer.
3. Repérer et déposer le bouchon de galerie de graissage (1) avant gauche du bloc-moteur.
4. Poser l'adaptateur M16 x 1,5 N/P 509375.

Prélubrificateur du moteur J 45299



5. Poser le tuyau souple sur l'adaptateur et ouvrir la soupape.
6. Pomper la poignée sur le prélubrificateur J45299 afin d'obtenir un débit minimum de 1 à 1,9 litre (1 à 2 quarts) d'huile moteur. Observer le débit de l'huile moteur par le tuyau souple et dans l'ensemble de moteur. Le moteur sera amorcé après qu'on ait constaté un petit changement dans la quantité de pression dans la jauge de pression d'huile pendant le pompage du J45299.
7. Fermer la soupape et déposer le tuyau souple et l'adaptateur du moteur.
8. Appliquer du produit d'étanchéité de filetage approuvé et poser le bouchon de galerie d'huile sur le moteur, puis serrer à 60 Nm (44 lb pi). Ajouter de l'huile moteur jusqu'au bon niveau.

Parce que les flexibles, le filtre à huile et le refroidisseur d'huile sont vides, il est beaucoup plus important d'amorcer cette configuration par rapport à un moteur d'équipementier ou de véhicule de route.

En l'absence d'une trousse de prélubricateur, on peut utiliser le processus suivant. Poser un indicateur de pression d'huile (on peut utiliser l'emplacement du capteur de pression d'huile existant sur la partie arrière supérieure du moteur). Débrancher le système de commande d'allumage et le système de commande de carburant (il est recommandé de couper l'alimentation du module de commande d'allumage). Remarque : S'assurer qu'aucune alimentation de carburant ou d'allumage ne peut être fournie au moteur. Retirer toutes les bougies d'allumage ; cela réduit la charge sur les paliers du moteur et sur le démarreur pendant la séquence d'amorçage de l'huile.

2c. Une fois que les systèmes de commande d'allumage et de commande du carburant ont été débranchés, démarrer le moteur en utilisant le démarreur pendant 10 secondes et vérifier la pression d'huile. Si aucune pression n'est indiquée, attendre 30 secondes et essayer de démarrer encore pendant 10 secondes. Répéter ce processus jusqu'à ce que la pression d'huile soit indiquée sur la jauge.

3. Rebrancher le système de commande de carburant et le système de commande d'allumage. Démarrer le moteur et écouter afin de déceler la présence de bruits inhabituels. Si on entend aucun bruit anormal, faire tourner le moteur du ralenti jusqu'à environ 1 800 tr/min, puis retourner au ralenti à 0 % (papillon). Effectuer cette séquence de façon continue, de haut en bas, jusqu'à la température de fonctionnement normale.

**NE PAS FAIRE TOURNER UN MOTEUR À HAUT RÉGIME CONSTANT SANS CHARGE.
IL SUFFIT DE FAIRE PASSER LE RÉGIME DU RALENTI À 1 800 TR/MIN À PLUSIEURS REPRISES.**

4. Lorsque cela est possible, vous devriez toujours permettre au moteur de se réchauffer avant de conduire. Une bonne pratique est de permettre à la température du carter d'huile et de l'eau d'atteindre 180°F avant d'appliquer de lourdes charges ou de faire des courses à accélération brusque.
5. Régler les paramètres du carburateur (carb.) Vis du mélange de ralenti, ralenti de base, flotteurs, etc.
6. Après les 30 premières minutes de fonctionnement du moteur, réviser les réglages du carburateur.
7. Conduire le véhicule à différentes vitesses et à différentes charges pendant les 30 premiers tours de piste. S'assurer d'éviter les conditions de plein gaz (WOT) et des accélérations à haut régime soutenues.
8. Faire entre 5 et 6 accélérations à ouverture des gaz moyenne jusqu'à environ 4 500 tr/min, puis laisser embrayé et laisser le régime baisser en roue libre jusqu'à 2 000 tr/min après chaque accélération.
9. Effectuer plusieurs accélérations à plein gaz (WOT) jusqu'à 5 000 tr/min. Laisser le moteur retourner au ralenti avec le clapet du papillon complètement fermé. Cette procédure aide les bagues à bien prendre leur place.
10. Vidanger l'huile et remplacer le filtre. Remplacer l'huile en suivant la procédure de l'étape 2a. ci-dessus. Utiliser un filtre l'huile aussi gros que possible afin d'assurer une capacité de débit minimale de 10 gallons par heure (gal/h) et une finesse de filtration de 25 microns. Vérifier l'huile et le filtre à huile afin de repérer toute particule étrangère pour s'assurer que le moteur fonctionne correctement.
11. Faire les 25 tours suivants sans régime élevé (inférieur à 5 000 tr/min), utilisation intensive ou périodes prolongées de charge élevée.
12. Vidanger l'huile et remplacer le filtre une fois de plus.
13. Le moteur est maintenant prêt pour la course.



Spécifications du moteur en caisse de piste circulaire CT525

Type	V8 de 6,2 L à bloc compact de 4e génération
Cylindrée.....	376 pouces cubes
Alésage x course	4,065 po x 3,62 po
Compression.....	10,7:1
Bloc.....	Aluminium moulé, six boulons fixés latéralement aux chapeaux principaux
Culasse.....	Aluminium moulé, orifice rectangulaire
Diamètre des soupapes (admission et échappement)	2,165 po/1,590 po
Volume de la chambre	68 cc
Vilebrequin	Fer nodulaire, à équilibrage interne
Bielles	Métal fritté
Pistons	Aluminium hypereutectique
Arbre à cames	Poussoir à galet hydraulique
Levée.....	Admission 0,525 po, échappement 0,525 po
Durée.....	Admission 226°, échappement 236° à levée de poussoir de 0,050 po
Axe central.....	110° LSA
Rapport des culbuteurs.....	1,7:1
Capacité d'huile	6 pintes sans filtre
Pression d'huile	
(minimale, avec huile chaude)	6 psig à 1 000 tr/min
.....	18 psig à 2 000 tr/min
.....	24 psig à 4 000 tr/min
Huile recommandée.....	Huile moteur 15W-50 Mobil 1 ou équivalente (doit satisfaire la norme GM4718M)
Carburant.....	Supercarburant sans plomb - 92 (R+M/2)
Régime maximal du moteur	6 700 tr/min
Bougies d'allumage	12571164
.....	AC Delco n° 41-985
Écartement des électrodes.....	0,040 po
Ordre d'allumage	1-8-7-2-6-5-4-3

L'information peut varier selon l'application. Toutes les caractéristiques techniques énumérées sont basées sur les plus récentes données de production disponibles à la date d'impression.

Spécifications de couple de serrage du moteur en caisse de piste circulaire CT525

Application	Caractéristique	
	Métrique	Anglais
Boulon du capteur de position de l'arbre à cames	10 Nm	89 lb-po
Boulon du faisceau de câbles du capteur de position de l'arbre à cames.....	10 Nm	89 lb-po
Boulons de retenue de l'arbre à cames – boulons à tête hexagonale.....	25 Nm	18 lb-pi
Boulons de retenue de l'arbre à cames – boulons à tête TORX®.....	15 Nm	11 lb-pi
Boulons de pignon d'arbre à cames	25 Nm	18 lb-pi
Boulons de chapeau de bielle – première passe de serrage	20 Nm	15 lb-pi
Boulons de chapeau de bielle – dernière passe de serrage	85 degrés	
Boulons de tuyau de purge d'air du liquide de refroidissement et de couvercle	12 Nm	106 lb-po
Sonde de température du liquide de refroidissement.....	20 Nm	15 lb-pi
Boulon d'amortisseur de vibrations de torsion.....	318 Nm	235 lb-pi
Boulons M10 de chapeau de palier de vilebrequin – première passe de serrage de la séquence	20 Nm	15 lb-pi

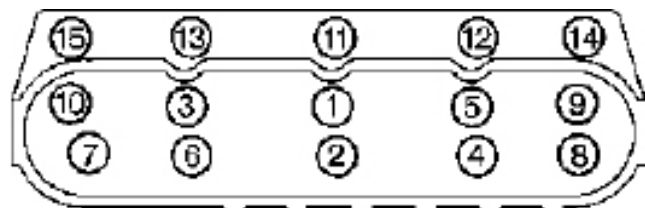


Spécifications de couple de serrage du moteur en caisse de piste circulaire CT525 (suite)

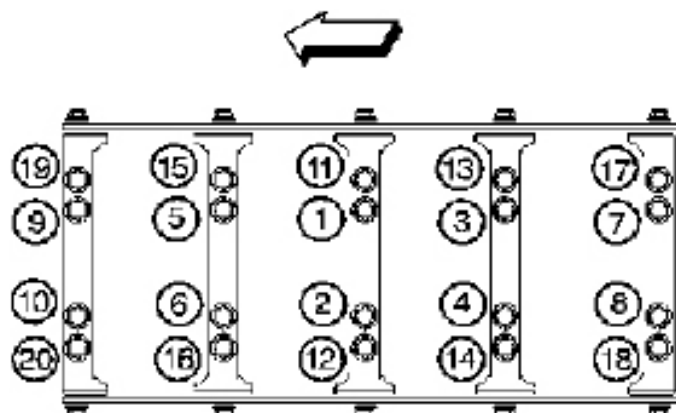
Boulons M10 de chapeau de palier de vilebrequin – dernière passe de serrage de la séquence.....	80 degrés	
Goujons M10 de chapeau de palier de vilebrequin – première passe de serrage de la séquence.....	20 Nm	15 lb-pi
Goujons M10 de chapeau de palier de vilebrequin – dernière passe de serrage de la séquence.....	51 degrés	
Boulons M8 de chapeau de palier de vilebrequin – première passe de serrage	20 Nm	15 lb-pi
Boulons M8 de chapeau de palier de vilebrequin – dernière passe de serrage	30 Nm	22 lb-pi
Écrous de déflecteur d'huile du vilebrequin	25 Nm	18 lb-pi
Boulon de capteur de position du vilebrequin	25 Nm	18 lb-pi
Boulons du boîtier de bague d'étanchéité arrière de vilebrequin	25 Nm	18 lb-pi
Boulons M11 de la culasse – première passe de serrage de la séquence	30 Nm	22 lb-pi
Boulons M11 de la culasse – deuxième passe de serrage de la séquence	90 degrés	
Boulons M11 de la culasse – dernière passe de serrage de la séquence	70 degrés	
Boulons M8 de la culasse – en séquence	30 Nm	22 lb-pi
Bouchon de liquide de refroidissement de la culasse	20 Nm	15 lb-pi
Bouchon d'orifice de vidange du liquide de refroidissement du bloc moteur.....	60 Nm	44 lb-pi
Bouchon de canalisation d'huile du bloc moteur	60 Nm	44 lb-pi
Boulons de collecteur d'échappement – première passe de serrage.....	15 Nm	11 lb-pi
Boulons de collecteur d'échappement – dernière passe de serrage.....	20 Nm	15 lb-pi
Boulons de bouclier thermique du collecteur d'échappement	9 Nm	80 lb-po
Goujons de collecteur d'échappement	20 Nm	15 lb-pi
Boulons de volant moteur – première passe de serrage.....	20 Nm	15 lb-pi
Boulons de volant moteur – deuxième passe de serrage	50 Nm	37 lb-pi
Boulons de volant moteur – dernière passe de serrage.....	100 Nm	74 lb-pi
Boulons de carter avant.....	25 Nm	18 lb-p
Goujon du support de bobine d'allumage au cache-culbuteurs	12 Nm	106 lb-po
Boulons de la bobine d'allumage au support.....	10 Nm	89 lb-po
Boulons de la tubulure d'admission – première passe de serrage de la séquence	5 Nm	45 lb-po
Boulons de la tubulure d'admission – dernière passe de serrage de la séquence	10 Nm	90 lb-po
Boulon M8 J 41798.....	25 Nm	18 lb-pi
Boulons M10 J 41798.....	50 Nm	37 lb-pi
Boulons de capteur de cognement.....	25 Nm	18 lb-pi
Boulons de l'équerre de fixation du support du moteur	50 Nm	37 lb-pi
Boulons M6 du carter d'huile – carter d'huile au boîtier de bague d'étanchéité arrière	12 Nm	106 lb-po
Boulons M8 du carter d'huile – carter d'huile au bloc moteur et carter d'huile au carter de distribution	25 Nm	18 lb-pi
Boulons du couvercle de pompe à huile.....	12 Nm	106 lb-po
Bouchon du clapet de décharge de pompe à huile	12 Nm	106 lb-po
Écrous du tamis de pompe à huile	25 Nm	18 lb-pi
Boulon du tamis de pompe à huile à la pompe à huile.....	12 Nm	106 lb-po
Boulons de la pompe à huile au bloc moteur	25 Nm	18 lb-pi
Bougies d'allumage	15 Nm	11 lb-pi
Boulons de l'amortisseur de chaîne de distribution	30 Nm	22 lb-pi

Spécifications de couple de serrage du moteur en caisse de piste circulaire CT525 (suite)

Boulons de couvercle concave.....	25 Nm	18 lb-pi
Boulons de guide de poussoir de soupape	12 Nm	106 lb-po
Boulons de culbuteur.....	30 Nm	22 lb-pi
Boulons de cache-culbuteurs	12 Nm	106 lb-po
Boulons de boîtier d'entrée d'eau.....	15 Nm	11 lb-pi
Boulons de pompe à eau – première passe de serrage	15 Nm	11 lb-pi
Boulons de pompe à eau – dernière passe de serrage	30 Nm	22 lb-pi

Ordre de couple de serrage du moteur en caisse de piste circulaire CT525

Boulons de culasse

Boulons et goujons de chapeau de palier de vilebrequin (la flèche indique l'avant du moteur)


Liste de pièces de rechange du moteur en caisse de piste circulaire CT525

<u>Numéro de pièce</u>	<u>Quantité</u>	<u>Nom</u>
12569167	8	ENSEMBLE BRAS,CULBUTEUR DE SOUPAPE D'ADMISSION
10214664	8	ENSEMBLE BRAS,CULBUTEUR DE SOUPAPE
19242906	1	AMORTISSEUR DE VIBRATIONS DE TORSION
89017572	1	NÉCESSAIRE DE PALIER, VILEBREQUIN (POSITION 3)
89017571	4	NÉCESSAIRE DE PALIER, VILEBREQUIN (POSITIONS 1,2,4,5)
89017573	8	NÉCESSAIRE DE PALIER,BIELLE
19167218	1	PALIER,ARBRE À CAMES (POSITION 3)
19167383	2	PALIER,ARBRE À CAMES (POSITIONS 1,5)
19167382	2	PALIER,ARBRE À CAMES (POSITIONS 2,4)
12623967	1	ENSEMBLE BLOC-MOTEUR
11515756	4	BOULON/VIS DE FIXATION D'ARBRE À CAMES



<u>Numéro</u> <u>de pièce</u>	<u>Quantité</u>	<u>Nom</u>
12556127	3	BOULON/VIS DE PIGNON D'ARBRE À CAMES
11561455	4	BOULON/VIS,PLAQUE DE POUSSÉE D'ARBRE À CAMES
11570662	16	BOULON/VIS,BIELLE
19242907	1	BOULON/VIS,AMORTISSEUR DE VIBRATIONS DE TORSION
12560272	10	BOULON/VIS,CHAPEAU DE PALIER DE VILEBREQUIN
12556127	10	BOULON/VIS,CHAPEAU DE PALIER DE VILEBREQUIN (LATÉRAL)
11588723	12	BOULON/VIS,BAGUE D'ÉTANCHÉITÉ D'HUILE ARRIÈRE DE VILEBREQUIN
11515756	1	BOULON/VIS,CAPTEUR DE POSITION DE VILEBREQUIN
19258707	20	BOULON/VIS,CULASSE
12558840	10	BOULON/VIS,CULASSE
11518075	11	BOULON/VIS,VALLÉE DE BLOC-MOTEUR
11588715	4	BOULON/VIS,TUYAU DE PURGE D'AIR DE LIQUIDE DE REFROIDISSEMENT DU MOTEUR
11515758	8	BOULON/VIS,COUVERCLE AVANT DU MOTEUR
11588712	2	BOULON/VIS,COUVERCLE AVANT DU MOTEUR
11515767	4	BOULON/VIS,SUPPORT DE LEVAGE DU MOTEUR
11519840	12	BOULON/VIS,BOUCLIER THERMIQUE DE TUBULURE D'ÉCHAPPEMENT
11518860	12	BOULON/VIS,BRIDE DE TUBULURE D'ÉCHAPPEMENT
11569956	6	BOULON/VIS,VOLANT MOTEUR
11516424	8	BOULON/VIS,BOBINE D'ALLUMAGE
11562426	8	BOULON/VIS,BOBINE D'ALLUMAGE
11515758	13	BOULON/VIS, CARTER D'HUILE
11516424	2	BOULON/VIS, CARTER D'HUILE
11515758	4	BOULON/VIS, POMPE À HUILE
11519133	7	BOULON/VIS, COUVERCLE DE POMPE À HUILE
11588712	1	BOULON/VIS, TUYAU D'ASPIRATION DE POMPE À HUILE
3531733	8	BOULON/VIS, DÉFLECTEUR DE RECYCLAGE DES GAZ DE CARTER
11519681	2	BOULON/VIS,AMORTISSEUR DE CHAÎNE DE DISTRIBUTION
12551163	4	BOULON/VIS, GUIDE DE POUSSOIR DE SOUPAPE
12560961	16	BOULON/VIS,CULBUTEUR DE SOUPAPE
12577215	8	BOULON/VIS,CULBUTEUR DE SOUPAPE
12551926	6	BOULON/VIS,POMPE À EAU
11516480	2	BOULON/VIS,ENTRÉE DE POMPE À EAU
12580353	1	BOULON/VIS,BOBINE D'ALLUMAGE (DROIT)
88958738	1	SUPPORT,BOBINE D'ALLUMAGE (GAUCHE) Support de bobine reconstruit non disponible
88958745	1	SUPPORT,BOBINE D'ALLUMAGE (GAUCHE) Support de bobine reconstruit non disponible
88958770	1	ENSEMBLE ARBRE À CAMES
10166344	16	CAPUCHON,RESSORT DE SOUPAPE
12586482	1	CHAÎNE DE DISTRIBUTION
12611424	8	ENSEMBLE BOBINE D'ALLUMAGE
12599296	1	ENSEMBLE COUVERCLE,VALLÉE DU BLOC-MOTEUR
12602540	2	ENSEMBLE COUVERCLE,ORIFICE DU CONDUIT DE PURGE D'AIR DE LIQUIDE DE REFROIDISSEMENT DU MOTEUR



<u>Numéro de pièce</u>	<u>Quantité</u>	<u>Nom</u>
12633906	1	ENSEMBLE COUVERCLE AVANT DU MOTEUR
88958737	1	ENSEMBLE COUVERCLE,CULBUTEUR DE SOUPAPE (GAUCHE) Couvercle de soupape reconstruit non disponible
12637684	1	ENSEMBLE COUVERCLE,CULBUTEUR DE SOUPAPE (DROIT)
12597569	1	ENSEMBLE VILEBREQUIN
12588670	1	ENSEMBLE AMORTISSEUR DE CHAÎNE DE DISTRIBUTION
12558189	1	DÉFLECTEUR D'HUILE DE VILEBREQUIN
19172114	1	TROUSSE DE JOINT,TUBULURE D'ADMISSION (2 PAR TROUSSE)
12639249	1	BAGUE D'ÉTANCHÉITÉ D'HUILE ARRIÈRE DE VILEBREQUIN
12610046	2	JOINT DE CULASSE
12610141	1	JOINT,COUVERCLE DE VALLÉE DE BLOC-MOTEUR
12633904	1	JOINT DE COUVERVCLE AVANT DU MOTEUR
12617944	2	JOINT DE TUBULURE D'ÉCHAPPEMENT
12612350	1	JOINT DE CARTER D'HUILE
12637683	2	JOINT DE COUVERCLE DE CULBUTEUR DE SOUPAPE
12630223	2	JOINT DE POMPE À EAU
12595365	4	GUIDE DE POUSSOIR DE SOUPAPE
12629063	2	ENSEMBLE CULASSE (AVEC SOUPAPES)
12600254	1	FLEXIBLE DE PURGE D'AIR DE LIQUIDE DE REFROIDISSEMENT DU MOTEUR
12639250	1	ENSEMBLE LOGEMENT DE BAGUE D'ÉTANCHÉITÉ D'HUILE ARRIÈRE DE VILEBREQUIN
12561513	1	CLAVETTE,AMORTISSEUR DE VIBRATIONS DE TORSION
10166345	32	CLAVETTE,TIGE DE SOUPAPE
17122490	16	ENSEMBLE POUSSOIR DE SOUPAPE
12603758	1	TUBULURE D'ÉCHAPPEMENT (GAUCHE)
12603760	1	TUBULURE D'ÉCHAPPEMENT (DROIT)
25534401	1	TUBULURE D'ADMISSION
11516076	9	ÉCROU,DÉFLECTEUR D'HUILE DE VILEBREQUIN
11516076	1	ÉCROU,TUYAU D'ASPIRATION DE POMPE À HUILE
19172376	1	ENSEMBLE CARTER D'HUILE. Seulement offert comme trousse de carter d'huile numéro de pièce 19243065.
12570326	4	GOUPILLE DE POSITIONNEMENT DE CULASSE
01453658	2	GOUPILLE DE POSITIONNEMENT DE BOÎTE DE VITESSES
12602548	1	TUYAU DE PURGE D'AIR DE LIQUIDE DE REFROIDISSEMENT DU MOTEUR
19207287	8	ENSEMBLE PISTON (AVEC AXE)
12582437	1	ENSEMBLE TÔLE D'ENTRAÎNEMENT DE BOÎTE DE VITESSES AUTOMATIQUE (AVEC MOYEU)
11610259	1	ENSEMBLE BOUCHON D'ORIFICE DE CULASSE
09427693	1	ENSEMBLE BOUCHON DE GALERIE D'HUILE DE BLOC-MOTEUR
12573460	1	ENSEMBLE BOUCHON DE GALERIE D'HUILE DE BLOC-MOTEUR
11588949	2	ENSEMBLE BOUCHON DE GALERIE D'HUILE DE BLOC-MOTEUR
11610259	1	BOUCHON D'ORIFICE DE CULASSE
11588949	1	BOUCHON,ORIFICE DE PURGE DE LIQUIDE DE REFROIDISSEMENT DU BLOC-MOTEUR
11611351	1	BOUCHON,ORIFICE DE PURGE DE LIQUIDE DE REFROIDISSEMENT DU BLOC-MOTEUR
12602048	2	BOUCHON DE PURGE D'AIR DE LIQUIDE DE REFROIDISSEMENT DU MOTEUR



<u>Numéro</u> <u>de pièce</u>	<u>Quantité</u>	<u>Nom</u>
12557520	1	BOUCHON,TUBE DE LA JAUGE DE NIVEAU D'HUILE
12621258	8	BOUGIE D'ALLUMAGE [A/C NO 41-110]
12586665	1	ENSEMBLE POMPE À HUILE
19180610	1	TROUSSE DE POMPE À EAU
12589016	1	FIXATION D'ARBRE À CAMES
12569638	16	FIXATION,AXE DE PISTON
19168090	8	TROUSSE DE SEGMENT DE PISTON
12586768	1	RÉLUCTEUR DE CAPTEUR DE POSITION DE VILEBREQUIN
12649190	8	ENSEMBLE BIELLE
10238852	16	ENSEMBLE TIGE DE POUSSOIR DE SOUPAPE
12585673	1	ENSEMBLE BAGUE D'ÉTANCHÉITÉ D'HUILE AVANT DE VILEBREQUIN
89060436	1	TROUSSE DE BAGUE D'ÉTANCHÉITÉ D'HUILE ARRIÈRE DE VILEBREQUIN
12610160	8	JOINT D'ÉTANCHÉITÉ DE COUVERCLE DE VALLÉE DU BLOC-MOTEUR
12602541	2	JOINT D'ÉTANCHÉITÉ DU TUYAU DE PURGE D'AIR DE LIQUIDE DE REFROIDISSEMENT DU MOTEUR (JOINT TORIQUE)
12585673	1	JOINT D'ÉTANCHÉITÉ DE COUVERVCLÉ AVANT DU MOTEUR
12482062	8	JOINT D'ÉTANCHÉITÉ D'HUILE DE TIGE DE SOUPAPE D'ÉCHAPPEMENT
12482063	8	JOINT D'ÉTANCHÉITÉ D'HUILE DE TIGE DE SOUPAPE D'ADMISSION
12557752	1	JOINT D'ÉTANCHÉITÉ,TUYAU D'ASPIRATION DE POMPE À HUILE (JOINT TORIQUE)
12587397	1	JOINT D'ÉTANCHÉITÉ,ENTRÉE D'EAU
12591720	1	ENSEMBLE CAPTEUR DE POSITION D'ARBRE À CAMES
12585546	1	ENSEMBLE CAPTEUR DE POSITION DE VILEBREQUIN
12608814	1	ENSEMBLE SONDE DE TEMPÉRATURE DE LIQUIDE DE REFROIDISSEMENT DU MOTEUR
12616646	1	ENSEMBLE CAPTEUR DE PRESSION D'HUILE DU MOTEUR
12623730	2	ENSEMBLE CAPTEUR DE COGNEMENT
12576823	1	BOUCLIER THERMIQUE DE TUBULURE D'ÉCHAPPEMENT (GAUCHE)
12576822	1	BOUCLIER THERMIQUE DE TUBULURE D'ÉCHAPPEMENT (DROIT)
15336959	1	GAINÉ DE CÂBLE DE BOUGIE D'ALLUMAGE
12625033	16	ENSEMBLE RESSORT DE SOUPAPE
12586481	1	PIGNON D'ARBRE À CAMES
12556582	1	PIGNON DE VILEBREQUIN
12560273	10	GOUJON,CHAPEAU DE PALIER DE VILEBREQUIN
11518424	4	GOUJON,TUBULURE D'ÉCHAPPEMENT
12554211	10	GOUJON,SUPPORT DE BOBINE D'ALLUMAGE
12600936	2	SUPPORT PIVOT DE CULBUTEUR DE SOUPAPE
12582719	8	SOUPAPE D'ÉCHAPPEMENT
12569427	8	SOUPAPE D'ADMISSION
19242908	1	RONDELLE,AMORTISSEUR DE VIBRATIONS DE TORSION
12627501	1	ENSEMBLE CÂBLE,CAPTEUR DE POSITION D'ARBRE À CAMES
12579355	2	ENSEMBLE CÂBLE,BOBINE D'ALLUMAGE
19206446	8	ENSEMBLE CÂBLE,BOUGIE D'ALLUMAGE



CT525 Motor armado de pista circular Instrucciones y especificaciones Número de parte de especificaciones 19244554

Gracias por elegir Chevrolet Performance como su fuente de alto desempeño. Chevrolet Performance está comprometido a proporcionar tecnología de desempeño comprobada e innovadora que en realidad... sea más que sólo potencia. Las partes de Chevrolet Performance están diseñadas, desarrolladas y probadas para exceder sus expectativas de ajuste y función. Por favor consulte nuestro catálogo respecto al Centro Autorizado de Chevrolet Performance más cercano a usted o visite nuestra página en Internet www.chevroletperformance.com

Esta publicación brinda información general sobre los componentes y procedimientos que pudieran ser útiles al instalar o dar servicio a su motor armado de Pista circular CT525. Por favor lea esta publicación completa antes de comenzar el trabajo.

Este motor armado de Pista circular CT525 es ensamblado usando componentes de calidad premium completamente nuevos y se basa en la arquitectura de la Serie LS Gen IV. Existe una amplia gama de aplicaciones de bloque pequeño, si usted está actualizando una aplicación anterior de bloque pequeño, puede encontrar diferencias de instalación entre el ensamble de motor armado de Pista circular CT525 y la versión anterior. Estas diferencias pueden requerir modificaciones o componentes adicionales no incluidos con el motor armado de Pista circular CT525, incluyendo sistemas de enfriamiento, combustible, eléctricos y del escape. Se puede requerir trabajo de fabricación.

El motor armado de Pista circular CT525 tiene bobinas de ignición individuales por cilindro y requiere un sistema de control de ignición y arnés. Se recomienda el número de parte 19171130 de Chevrolet Performance para esta aplicación y está disponible a partir de su concesionario Performance.

No se pretende que estas especificaciones reemplace las prácticas de servicio completas y detalladas explicadas en los manuales de servicio GM. Para información sobre cobertura de la garantía, por favor póngase en contacto con su concesionario local de Chevrolet Performance.

Observe todas las precauciones de seguridad y advertencias de los manuales de servicio cuando instale este motor armado de Pista circular CT525 en cualquier vehículo. Utilice protección para los ojos y ropa de protección adecuada. Cuando trabaje debajo o alrededor del vehículo, apóyelo firmemente con soportes de gato. Sólo use las herramientas adecuadas. Tenga mucha precaución cuando trabaje con líquidos y materiales inflamables, corrosivos y peligrosos. Algunos procedimientos requieren equipo y habilidades especiales. Si no tiene la capacitación, experiencia, y herramientas apropiadas para realizar cualquier parte de esta conversión con seguridad, este trabajo debe ser realizado por un profesional.

Información legal y sobre emisiones

Esta publicación ha sido diseñada para proporcionar información acerca del motor armado de Pista circular CT525 y componentes relacionados. Este manual también describe procedimientos y modificaciones que pudieran ser útiles durante la instalación de un motor armado de Pista circular CT525. No está diseñada para sustituir a los exhaustivos manuales de servicio y catálogos de partes que cubren los motores y componentes General Motors. Más bien, está diseñada para brindar información complementaria en áreas de interés para los entusiastas del "hágalo usted mismo" y los mecánicos.

Esta publicación concierne a motores y vehículos que se utilizan fuera de las carreteras públicas, excepto cuando se indica específicamente lo contrario. La ley federal restringe el retiro de cualquier parte de un sistema de control de emisiones requerido por orden federal de los vehículos de motor. Más aún, muchos estados han promulgado leyes que prohíben alterar o modificar cualquier sistema de control de emisiones o ruidos. Los vehículos que no son operados en carreteras públicas generalmente están exentos de la mayoría de las normas, al igual que algunos vehículos de interés especial y pre-emisiones. Se le exhorta atentamente al lector verificar todas las leyes locales y estatales aplicables.

Muchas de las partes descritas o enlistadas en este manual se comercializan para su aplicación fuera de carretera, y están etiquetadas con el "Aviso sobre Partes Especiales" que se reproduce aquí:

Aviso sobre partes especiales

Esta parte ha sido diseñada específicamente para aplicación fuera de carretera únicamente. Debido que la instalación de esta parte puede afectar el desempeño del control de emisiones de su vehículo o dejarlo fuera de certificación según los Estándares de seguridad de vehículos de motor, no se debe instalar en un vehículo que se utilice en cualquier calle o carretera. Adicionalmente, cualquier aplicación tal puede afectar adversamente la cobertura de la garantía de tales vehículos para aplicación en calles o carreteras.

La información contenida en esta publicación se presenta sin ninguna garantía. El usuario asume completamente todo el riesgo por su uso. El diseño de componentes específicos, los procedimientos mecánicos, y las calificaciones de los lectores están más allá del control del editor, y por lo tanto el editor declina cualquier responsabilidad incurrida en conexión con el uso de la información provista en esta publicación.

Chevrolet, el Emblema de Corbatín Chevrolet, y General Motors son marcas comerciales registradas de General Motors Corporation. Chevy es una marca comercial de General Motors Corporation.



Contenido del paquete:

<u>Partida</u>	<u>Descripción</u>	<u>Cantidad</u>
1	Conjunto del motor	1
2	Instrucciones para el motor	1

Información de componente y requerimientos adicionales

El motor armado de Pista circular CT525 usa componentes LS3 en existencias excepto como se indica a continuación. Se puede encontrar información adicional de servicio no incluida en este documento con su concesionario Performance la Opción de producción regular (RPO) (Corvette) LS3, para todos los componentes excepto aquellos que se indican más adelante. La información para estos artículos se incluye en esta documentación, o si se necesita información adicional para los componentes del sistema de árbol de levas, consulte el manual para LS2 (Corvette) 2006 que usa el mismo diseño de sistema de árbol de levas.

Múltiple de admisión

Los empaques de Múltiple de admisión Chevrolet Performance número de parte 25534401 y 19172114 (cant. 2) se instalan en el motor armado de Pista circular CT525.

Árbol de levas

El motor armado de Pista circular CT525 usa el árbol de levas Chevrolet Performance 88958770, que tiene un montaje de rueda dentada de 3 pernos.

Rueda dentada del árbol de levas y pernos

La rueda dentada del árbol de levas 12586481 y los pernos 12556127 (Cant 3) se usan en conjunto con el diseño de árbol de levas de 3 pernos.

Amortiguador de la cadena de tiempo

El amortiguador de cadena de sincronización número de parte 12588670 viene con pernos y se usa junto con este diseño en lugar del tensor de cadena estilo LS3.

Cárter de aceite

El motor armado de Pista circular CT525 viene completo con cárter de aceite de pista circular Chevrolet Performance (No. de parte 19172376) instalado, que sólo está disponible en el juego # 19243065. La capacidad del cárter es de 6 cuartos de aceite (sin incluir el filtro, enfriador, o líneas). El cárter tiene una salida del lado derecho con 5 puertas de trampa integrales y usa un tubo de recolección de 7/8".

Requerimientos de filtro de aceite

Se requiere un filtro de aceite remoto con el motor armado de Pista circular CT525. Dos accesorios -10 AN están ubicados en la parte trasera izquierda del cárter. El accesorio delantero es la alimentación de la bomba del aceite del motor (enrute esto en e filtro de aceite), el accesorio del cárter trasero alimenta el motor (enrute el lado de salida del filtro de aceite/línea de enfriador en ese accesorio). Use un filtro de aceite tan grande como sea posible, asegurando un mínimo de capacidad de flujo de 10 GPH y capacidad de filtrado de 25 micras.

Requerimientos de enfriador de aceite

Se requiere un enfriador de aceite remoto en el motor armado de Pista circular CT525. El enfriador se deberá montar después del filtro, y deberá ser de un mínimo de 7" x 14" con una capacidad de flujo mínima de 10 GPM (se recomienda tamaño de entrada -10 AN).

Nivel de aceite

Revise el nivel de aceite una vez que se haya llenado todo el sistema, incluyendo el filtro, enfriador, y líneas (el cárter por sí solo tiene una capacidad de 6 cuartos). Verifique el nivel de aceite retirando el tapón de aceite en la parte superior de la salida del lado derecho. El aceite está lleno cuando el nivel sólo toque el fondo de este tapón.

Accesorio de sensor de temperatura de aceite

Se proporciona un accesorio de sensor de temperatura de aceite de 1/2" NPT en el lado izquierdo del cárter. Si no se usa un sensor de temperatura, instale un tapón en este accesorio (use la cinta de sellador de Teflón en el tapón).

Amortiguador Armónico de Cigüeñal

El motor armado de Pista circular CT525 viene completo con el amortiguador de pista circular de Chevrolet Performance (número de parte 9242906), el perno de amortiguador (número de parte 19242907) y arandela de amortiguador (número de parte 19242908) instalado. Se ha agregado soporte adicional al amortiguador del cigüeñal al agregar un pasador de 3/16 pulgadas para retener el amortiguador en posición. Observe que las marcas de sincronización en el amortiguador no están marcadas a ninguna referencia en el motor.

Sistema de enfriamiento

Use un radiador con suficiente capacidad para asegurar que la temperatura del refrigerante del motor esté entre 180 F a 210 F. También se requiere un tanque de expansión, conecte el fondo del tanque a la salida de la manguera del calentador delantero. También se requiere una purga de aire desde la línea de purga de la cabeza superior izquierda a la parte superior del tanque de expansión. La falla en instalar esta purga de aire resultará en un bloqueo de aire y puede causar sobrecalentamiento.

Restrictores de bomba de agua

El motor armado de Pista circular CT525 no tiene un termostato, en su lugar de 2 tapones restrictores están instalados en el alojamiento de la bomba de agua. Uno (orificio de 3/16") está instalado en lugar del termostato, el otro (orificio de 3/4") está instalado en el accesorio de salida de la bomba de agua. Estos tamaños se determinaron en base a las pruebas de desarrollo de Chevrolet, sin embargo los tamaños de orificio pueden necesitar ajustarse en base a la configuración de su radiador y enfriamiento.

Cubierta de Válvula (lado izquierdo) / Respiradores

La ventilación y respiración adecuadas son críticos en el motor armado de Pista circular CT525. La cubierta de válvula izquierda viene equipada con dos accesorios macho -16 AN soldados en la cubierta. El accesorio posterior utiliza el deflector de la cubierta de la válvula, mientras que el accesorio delantero no tiene deflector. Es crítico establecer las rutas y alturas del tubo de ventilación para permitir drenaje atrás del accesorio delantero. Chevrolet recomienda un mínimo de 2 respiradores para la capacidad adecuada de ventilación (el número de parte Chevrolet Performance 25534355 incluye 2 respiradores). A continuación se muestra una configuración que ha tenido éxito en las pruebas de desarrollo de Chevrolet.



Cubiertas de perno selladas (anti-manipulación)

El motor armado de Pista circular CT525 está equipado con cubiertas de perno selladas en el múltiple de admisión, cubierta delantera, y cárter de aceite. Estos están especialmente diseñados para evitar el acceso a los componentes internos del motor.

Partes adicionales que se pueden necesitar

Carburador

Se recomienda un carburador Holley serie 4150 Modelo 80541-1 (650 pies cúbicos / minuto serie HP) para uso de competencia. (Nota: los números del catálogo Dyno se derivaron usando un carburador 80528-1 750 HP)

Sistema de control de ignición

Como se indicó anteriormente, el motor armado de Pista circular CT525 tiene bobinas de ignición individuales por cilindro y requiere un sistema de control de ignición y arnés. Se recomienda el número de parte 19171130 de Chevrolet Performance para esta aplicación y está disponible a partir de su concesionario Chevrolet Performance. (Chevrolet recomienda un máximo de 28 grados de avance total.)



Volante

El motor armado de Pista circular CT525 incluye una placa flexible de equipo original (12582437) que se utiliza en aplicaciones Corvette. El volante de inercia 12571611 también está disponible a partir de su concesionario Chevrolet Performance para aplicaciones de transmisión manual, pero las aplicaciones de pista circular pueden requerir un volante de inercia más pequeño disponible a partir de fuentes post-venta.

Cojinete piloto

Debe instalar un cojinete piloto en la parte trasera del cigüeñal si el motor se va a usar con una transmisión manual. El cojinete piloto alinea el eje de entrada de la transmisión con la línea central del cigüeñal. Un cojinete piloto gastado o mal alineado puede causar problemas con los cambios y desgaste rápido en el embrague. Hay dos rodamientos piloto que se ajustarán al cigüeñal serie LS. El número de parte 12557583 se usa con una transmisión de eje de entrada corto y el número de parte 14061685 se usa con una transmisión de eje de entrada largo.

Arrancador

El motor armado de Pista circular CT525 no incluye un motor de arranque. El número de parte 10465385 de Chevrolet Performance es compatible con esta aplicación y es recomendado. Consulte a su concesionario de Chevrolet Performance para mayores detalles.

Inducción de aire

Se debe usar un depurador de aire de baja restricción de elemento de espuma o papel para proteger el motor contra desgaste excesivo y distribuir el aire que entra al carburador. La distribución de la mezcla de combustible se puede perturbar si no se usa difusor, causando potencia deficiente y falla de encendido en altas velocidades del motor. Siempre revise el espacio adecuado del cofre cuando instale un nuevo depurador de aire. Chevrolet Performance tiene dos ensambles de depurador de aire de 14" de cromo para motores de 4 cilindros sencillos. 12342071 es el diseño Clásico y 12342080 es el diseño de alto desempeño.

Bomba de combustible

El motor CT525 no incluye una bomba de combustible o regulador de presión. El sistema de combustible debe ser capaz de suministrar un mínimo de 50 gph en un mínimo de 6 psi de presión cuando el motor está operando en acelerador completamente abierto (WOT). Una bomba de combustible eléctrica en línea de alto volumen está disponible a partir de Chevrolet Performance (número de parte 25115899). Esta bomba de servicio pesado circula 72 galones por hora en una presión de salida de 6-8 psi. **NOTA: Se recomienda un cable de calibre mínimo 12 para el suministro eléctrico de la bomba de combustible para mantener el desempeño de la bomba debido a pérdida eléctrica de la línea.**

Procedimiento de asentamiento recomendado

El arranque es crítico para asegurar la vida del motor. Este procedimiento se redactó con la intención de proporcionar una referencia y guía rápida para arrancar un motor nuevo o reconstruido si no hay un dinamómetro (dyno.) disponible. Si está usando un dinamómetro dyno., consulte los reglamentos de operador dyno para el arranque y asentamiento inicial del motor.

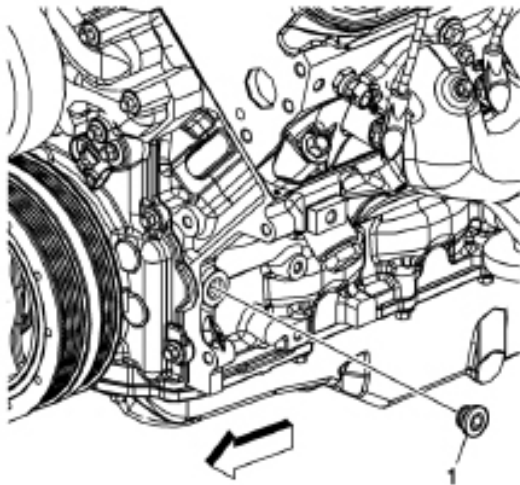
1. ¡La seguridad es primero! Asegúrese de tener herramientas adecuadas así como protección para los ojos. Si el vehículo está en el suelo, asegúrese que las ruedas tengan calzas y la transmisión esté en neutro.
2. Asegúrese de revisar el nivel de aceite en el motor y cebe el sistema de aceite después vuelva a verificar el nivel de aceite. Debe estar en el fondo del tapón del nivel de aceite cuando el tapón se enrosca en el cárter.

2a. Este ensamble de motor necesita llenarse con aceite. Después de instalar el motor, asegúrese que el cárter haya sido llenado con el aceite para motor adecuado hasta el nivel de llenado de aceite recomendado.

El nivel de aceite correcto con este cárter de aceite para pista circular se logra cuando el aceite toca el fondo del tapón indicador con el tapón completamente roscado en el tapón del cárter de aceite. [El cárter por sí solo sostiene 6 cuartos] el filtro de aceite remoto y el enfriador serán aceite adicional. **SE DEBE USAR UN ENFRIADOR DE ACEITE DE MOTOR COMPLETAMENTE NUEVO, CON UN FLUJO MÍNIMO DE 10 GPM.** Se recomienda usar aceite de motor Mobil 1 5W-30 o equivalente (el aceite de motor debe cumplir con la especificación GM4718M que se indicará en la etiqueta de aceite, Mobil 1 cumple con esta especificación). Además verifique y rellene conforme se requiera cualquier otro fluido necesario tal como refrigerante, líquido de dirección hidráulica, etc.

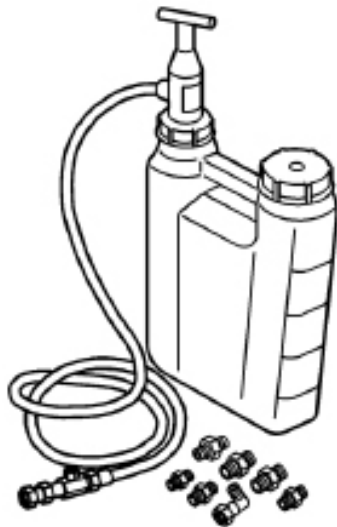
2b. Se DEBE debe aplicar una capa de aceite a este motor antes de arrancar. El uso del juego de pre-lubricación de motor Kent-Moore J45299 es el proceso preferido para la aplicación de capa de aceite.

NOTA: Se requiere un flujo constante y continuo de aceite de motor para cebar adecuadamente el motor. Asegúrese de usar aceite de motor aprobado, como se especifica.



1. Retire el filtro de aceite del motor, y llene con aceite de motor limpio.
2. Instale el filtro de aceite y apriete.
3. Ubique y retire el bloque de motor izquierdo del tapón de la galería de aceite (1).
4. Instale el adaptador M16 x 1.5 No. de parte 509375.

J 45299 Pre-lubricador de motor



5. Instale la manguera flexible al adaptador y abra la válvula.
6. Bombeo la manija del pre-lubricador J45299 para que fluya un mínimo de 1-1.9 litros (1-2 cuartos) de aceite de motor. Observe el flujo del aceite de motor a través de la manguera flexible y en el ensamble del motor. El motor se lubricará después de que se observe una pequeña cantidad de cambio de presión en el manómetro de aceite del vehículo mientras se bombea el J45299
7. Cierre la válvula y retire la manguera flexible y el adaptador del motor.
8. Aplique sellador de rosca aprobado e instale el tapón de la galería de aceite al motor y apriete a 60 N•m (44 lb pie). Rellene el aceite del motor al nivel adecuado.



Debido a las mangueras, el filtro de aceite, y enfriador de aceite vacíos es mucho más importante cebar esta configuración contra un motor conducido en calle o de fabricante de equipo original (OEM).

En la ausencia de un juego de pre-lubricador, se puede usar el siguiente proceso. Instale un manómetro de aceite (se puede usar la ubicación del sensor de presión de aceite existente en el extremo superior del motor). Desconecte el combustible y el sistema de control de ignición (se recomienda retirar la energía del módulo de control de ignición). Nota: Asegúrese que o se puede proveer combustible o energía de la ignición al motor. Retire todas las bujías que reducirán la carga en los rodamientos del motor y el motor de arranque durante la secuencia de cebado de aceite.

- 2c. Una vez que se hayan desconectado los sistemas de control de combustible e ignición, arranque el motor utilizando el motor de arranque durante 10 segundos y revise si hay presión de aceite. Si no hay presión, espere 30 segundos y encienda de nuevo el motor por 10 segundos. Repita este proceso hasta que el medidor indique la presión del aceite.
3. Vuelva a conectar los sistemas de control de combustible e ignición. Arranque el motor y escuche si percibe ruidos inusuales. Si no se observan ruidos inusuales, opere el motor desde marcha en vacío a aproximadamente 1800 RPM, después 0% de aceleración de regreso a marcha en vacío. Realice esta secuencia continuamente hacia arriba hasta que se alcance la temperatura de operación normal.

**NO OPERE EL MOTOR EN ALTAS RPM CONSTANTES SIN CARGA.
VARIAR LAS RPM, MARCHA EN VACÍO A 1800 RPM HACIA ARRIBA ABAJO ES
TODO LO QUE SE NECESITA.**

4. Cuando sea posible, siempre debe permitir que el motor se caliente antes de empezar a conducir. Es una buena práctica dejar que la temperatura del cárter del aceite y del agua llegue a 180°F antes de aplicar cargas pesadas o de acelerar a fondo.
5. Arregle los ajustes del carburador (carb.). Tornillos de mezcla de marcha de vacío, marcha en vacío base, flotadores, etc.
6. Después de los primeros 30 minutos de la operación del motor, restablezca los ajustes del carburador.
7. Conduzca el vehículo en varias velocidades y cargas las primeras 30 vueltas. Asegúrese de evitar Aceleración completamente abierta (WOT) y aceleración de altas RPM sostenida
8. Realice 5-6 aceleraciones de medio acelerador a aproximadamente 4,500 rpm y deje en velocidad y reduzca la velocidad por inercia a 2,000 rpm, después de cada aceleración.
9. Realice varias aceleraciones completamente abiertas (WOT) a 5,000 rpm. Permita que el motor regrese a marcha a vacío, con la álabes del acelerador cerrada. Este procedimiento ayudará a asentar los anillos adecuadamente.
10. Cambie el aceite y el filtro. Reemplace el aceite siguiendo el procedimiento en el paso 2a. anterior. Use un filtro de aceite tan grande como sea posible, asegurando un mínimo de capacidad de flujo de 10 galones por hora (GPH) y capacidad de filtrado de 25 micras. Revise si el aceite o el filtro de aceite tiene partículas extrañas para asegurar que el motor funcione correctamente.
11. Conduzca las siguientes 25 vueltas sin altas rpm (debajo de 5,000 rpm), periodo de uso fuerte o extendidos de carga alta.
12. Cambie el aceite y el filtro de nuevo.
13. Su motor ya está listo para competir.



Especificaciones de Motor armado de pista circular CT525

Tipo	6.2L Gen IV Bloque pequeño V8
Desplazamiento	376 pulgadas cúbicas
Diámetro x Carrera	4.065 x 3.62 pulgadas
Compresión	10.7:1
Bloque.....	Aluminio fundido, casquillos principales con pernos en cruz de seis pernos
Culata del motor	Puerto rectangular de aluminio fundido
Diámetro de válvula (Admisión/Escape)....	2.165"/1.590"
Volumen de la cámara	68cc
Cigüeñal.....	Hierro nodular, balanceado internamente
Bielas	Metal pulverizado
Pistones	Aluminio hipereutéctico
Árbol de levas	Levantador hidráulico del rodillo
Elevación525" admisión, .525" escape
Duración	226° admisión, 236° escape @.050" de elevación del levantador
Línea central	110° Ángulo de separación del lóbulo (LSA)
Relación del brazo balancín	1.7:1
Capacidad de aceite	6 cuartos sin filtro
Presión de aceite	
(Mínima, con aceite caliente).....	6 psig @ 1,000 RPM
.....	18 psig @ 2,000 RPM
.....	24 psig @ 4,000 RPM
Aceite recomendado.....	Aceite de motor 15w-50 Mobil 1 o equivalente (debe cumplir con la especificación GM4718M)
Combustible.....	Premium sin plomo - 92 (R+M/2)
Velocidad máxima del motor	6700 RPM
Bujías.....	12571164
.....	AC Delco # 41-985
Distancia entre bujías.....	.040"
Orden de explosión	1-8-7-2-6-5-4-3

La información puede variar según la aplicación. Todas las especificaciones enumeradas están basadas en la información sobre la última producción disponible al momento de la impresión.

Especificaciones torque de Motor armado de pista circular CT525

<u>Aplicación</u>	<u>Especificación</u>	
	<u>Métrico</u>	<u>Inglés</u>
Perno del sensor de posición del árbol de levas (CMP).....	10 N•m.....	89 libras pulg
Perno del arnés de cables del sensor CMP	10 N-m.....	89 libras pulg
Pernos del retenedor del árbol de levas - Pernos cabeza hexagonal.....	25 N•m.....	18 libras pies
Pernos del retenedor del árbol de levas - Pernos cabeza TORX®.....	15 N•m.....	11 libras pies
Pernos de la rueda dentada del árbol de levas.....	25 N•m.....	18 libras pies
Pernos de la biela - Primera pasada	20 N•m.....	15 libras pies
Pernos de la biela - Pasada final.....	85 grados	
Pernos del tubo de purga de aire del refrigerante y de la tapa	12 N•m.....	106 libras pulg
Sensor de temperatura del refrigerante.....	20 N•m.....	15 libras pies
Perno de balanceado de cigüeñal	318 N•m	235 lbs pie
Pernos M10 de la tapa del cojinete del cigüeñal - Primera pasada en secuencia	20 N•m.....	15 libras pies

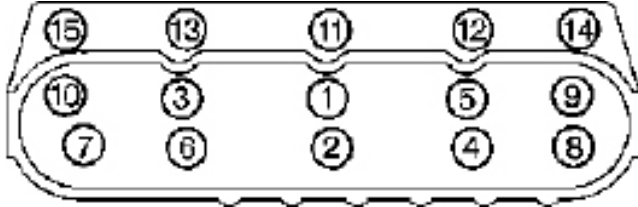


Especificaciones torque de Motor armado de pista circular CT525-continuación

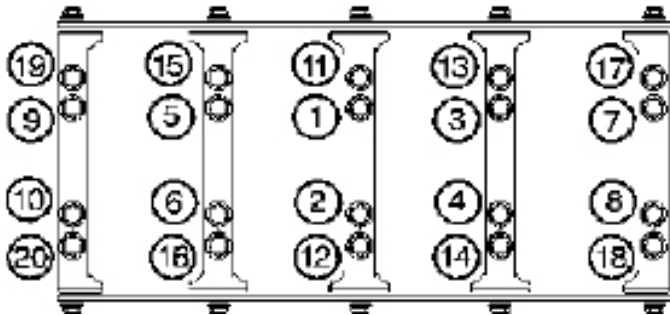
Pernos M10 de la tapa del cojinete del cigüeñal - Pasada final en secuencia.....	80 grados	
Pernos M10 de la tapa del cojinete del cigüeñal - Primera pasada en secuencia	20 N•m.....	15 libras pies
Pernos M10 de la tapa del cojinete del cigüeñal - Pasada final en secuencia.....	51 grados	
Pernos M8 de la tapa del cojinete del cigüeñal - primera pasada.....	20 N•m.....	15 libras pies
Pernos M8 de la tapa del cojinete del cigüeñal - pasada final	30 N•m.....	22 libras pies
Tuercas del deflector de aceite del cigüeñal	25 N•m.....	18 libras pies
Perno del sensor de posición del cigüeñal (CKP)	25 N•m.....	18 libras pies
Pernos del alojamiento del retén trasero del cigüeñal.....	25 N•m.....	18 libras pies
Pernos M11 de la culata del motor - Primera pasada en secuencia	30 N•m.....	22 libras pies
Pernos M11 de la culata del motor - Segunda pasada en secuencia	90 grados	
Pernos M11 de la culata del motor - Pasada final en secuencia.....	70 grados	
Pernos M8 de la culata del motor - en secuencia	30 N•m.....	22 libras pies
Tapón del refrigerante de la culata del motor	20 N•m.....	15 libras pies
Tapón del orificio de drenaje del refrigerante del bloque del motor.....	60 N•m.....	44 libras pies
Tapón de la galería de aceite del bloque del motor.....	60 N•m.....	44 libras pies
Pernos del múltiple de escape - Primera pasada.....	15 N•m.....	11 libras pies
Pernos del múltiple de escape - Pasada final	20 N•m.....	15 libras pies
Pernos del protector de calor del múltiple de escape.....	9 N•m.....	80 libras pulg
Pernos del múltiple de escape	20 N•m.....	15 libras pies
Pernos del volante - Primera pasada	20 N•m.....	15 libras pies
Pernos del volante de inercia - Segunda pasada.....	50 N•m.....	37 libras pies
Pernos del volante de inercia - Pasada final	100 N•m	74 libras pies
Pernos de la tapa delantera	25 N•m.....	18 libras pies
Perno del soporte de la bobina de ignición a la tapa del brazo balancín de la válvula	12 N•m	106 libras pulg
Pernos de la bobina de ignición al soporte.....	10 N•m.....	89 libras pulg
Pernos del múltiple de admisión - Primera pasada en secuencia.....	5 N•m.....	45 libras pulg
Pernos del múltiple de admisión - Pasada final en secuencia	10 N•m.....	90 libras pulg
Perno M8 J 41798	25 N•m.....	18 libras pies
Pernos M10 J 41798	50 N•m.....	37 libras pies
Pernos del sensor de detonación.....	25N•m.....	18 libras pies
Pernos de la ménsula del soporte del motor.....	50 N•m.....	37 libras pies
Pernos M6 del cárter de aceite - Cárter de aceite al alojamiento del retén trasero	12 N•m.....	106 libras pulg
Pernos M8 del cárter de aceite - Cárter de aceite al bloque del motor y Cárter de aceite a tapa delantera.....	25 N•m.....	18 libras pies
Pernos de la tapa de la bomba de aceite	12 N•m.....	106 libras pulg
Tapón de la válvula de alivio de la bomba de aceite	12 N•m.....	106 libras pulg
Tuercas de la malla de la bomba de aceite.....	25 N•m.....	18 libras pies
Perno de la malla de la bomba de aceite a la bomba de aceite.....	12 N•m.....	106 libras pulg
Perno de la bomba de aceite al bloque del motor	25 N•m.....	18 libras pies
Bujías.....	15 N•m.....	11 libras pies
Pernos del amortiguador de la cadena de tiempo.....	30 N•m.....	22 libras pies

Especificaciones torque de Motor armado de pista circular CT525-continuación

Pernos de la tapa del cárter	25 N•m.....	18 libras pies
Pernos de la guía del elevador de válvulas.....	12 N•m.....	106 libras pulg
Pernos del brazo balancín de la válvula.....	30 N•m.....	22 libras pies
Pernos de la tapa del brazo balancín de la válvula.....	12 N•m.....	106 libras pulg
Pernos del alojamiento de entrada de agua.....	15 N•m.....	11 libras pies
Pernos de la bomba de agua - Primera pasada.....	15 N•m.....	11 libras pies
Pernos de la bomba de agua - Pasada final	30 N•m.....	22 libras pies

Secuencias de torque de Motor armado de pista circular CT525

Culatas de cilindro

Tornillos y pernos de tapa de cojinete de cigüeñal (la flecha indica el frente del motor)


Lista de partes de servicio de Motor armado de pista circular CT525

<u>Número de parte</u>	<u>Cant.</u>	<u>Nombre</u>
12569167	8	ENSAMBLE DE BRAZO, BALANCÍN DE VÁLVULA DE ADMISIÓN
10214664	8	ENSAMBLE DE BRAZO, BALANCÍN DE VÁLVULA
19242906	1	BALANCEADOR, CIGÜEÑAL
89017572	1	JUEGO DE RODAMIENTO, CIGÜEÑAL (POSICIÓN 3)
89017571	4	JUEGO DE RODAMIENTO, CIGÜEÑAL (POSICIONES 1,2,4,5)
89017573	8	JUEGO DE RODAMIENTO, BIELA
19167218	1	RODAMIENTO, ÁRBOL DE LEVAS (POSICIÓN 3)
19167383	2	RODAMIENTO, ÁRBOL DE LEVAS (POSICIONES 1,5)
19167382	2	RODAMIENTO, ÁRBOL DE LEVAS (POSICIONES 2,4)
12623967	1	ENSAMBLE DE BLOQUE, MOTOR
11515756	4	PERNO/TORNILLO, RETENEDOR DE ÁRBOL DE LEVAS



<u>Número</u> <u>de parte</u>	<u>Cant.</u>	<u>Nombre</u>
12556127	3	PERNO/TORNILLO,RUEDA DENTADA DE ÁRBOL DE LEVAS
11561455	4	PERNO/TORNILLO,PLACA DE EMPUJE DE ÁRBOL DE LEVAS
11570662	16	PERNO/TORNILLO,BIELA
19242907	1	PERNO/TORNILLO,BALANCEADOR DE CIGÜEÑAL
12560272	10	PERNO/TORNILLO,TAPA DE RODAMIENTO DE CIGÜEÑAL
12556127	10	PERNO/TORNILLO,TAPA DE RODAMIENTO DE CIGÜEÑAL (LATERAL)
11588723	12	PERNO/TORNILLO,SELLO DE ACEITE TRASERO DE CIGÜEÑAL
11515756	1	PERNO/TORNILLO,SENSOR DE POSICIÓN DE CIGÜEÑAL
19258707	20	PERNO/TORNILLO,CULATA DE CILINDRO
12558840	10	PERNO/TORNILLO,CULATA DE CILINDRO
11518075	11	PERNO/TORNILLO,VALLE DE BLOQUE DE MOTOR
11588715	4	PERNO/TORNILLO,TUBO DE PURGA DE AIRE DE REFRIGERANTE DE MOTOR
11515758	8	PERNO/TORNILLO,CUBIERTA DELANTERA DE MOTOR
11588712	2	PERNO/TORNILLO,CUBIERTA DELANTERA DE MOTOR
11515767	4	PERNO/TORNILLO, MÉNSULA DE LEVANTAMIENTO DE MOTOR
11519840	12	PERNO/TORNILLO,PROTECCIÓN TÉRMICA DE MÚLTIPLE DE ESCAPE
11518860	12	PERNO/TORNILLO,BRIDA DE MÚLTIPLE DE ESCAPE
11569956	6	PERNO/TORNILLO,VOLANTE DE INERCIA
11516424	8	PERNO/TORNILLO,BOBINA DE IGNICIÓN
11562426	8	PERNO/TORNILLO,BOBINA DE IGNICIÓN
11515758	13	PERNO/TORNILLO, CÁRTER DE ACEITE
11516424	2	PERNO/TORNILLO, CÁRTER DE ACEITE
11515758	4	PERNO/TORNILLO, BOMBA DE ACEITE
11519133	7	PERNO/TORNILLO, CUBIERTA DE BOMBA DE ACEITE
11588712	1	PERNO/TORNILLO, TUBO DE SUCCIÓN DE BOMBA DE ACEITE
3531733	8	PERNO/TORNILLO, DEFLECTOR DE VENTILACIÓN POSITIVA DE CÁRTER (PCV)
11519681	2	PERNO/TORNILLO,AMORTIGUADOR DE CADENA DE SINCRONIZACIÓN
12551163	4	PERNO/TORNILLO, GUÍA DE ELEVADOR DE VÁLVULA
12560961	16	PERNO/TORNILLO,BRAZO DE BALANCÍN DE VÁLVULA
12577215	8	PERNO/TORNILLO,BRAZO DE BALANCÍN DE VÁLVULA
12551926	6	PERNO/TORNILLO,BOMBA DE AGUA
11516480	2	PERNO/TORNILLO,ENTRADA DE BOMBA DE AGUA
12580353	1	SOPORTE,BOBINA DE IGNICIÓN (DERECHA)
88958738	1	SOPORTE,BOBINA DE IGNICIÓN (IZQUIERDA) Soporte de bobina reacondicionada, no disponible
88958745	1	SOPORTE,BOBINA DE IGNICIÓN (IZQUIERDA) Soporte de bobina reacondicionada, no disponible
88958770	1	ENSAMBLE DE ÁRBOL DE LEVAS
10166344	16	TAPA,RESORTE DE VÁLVULA
12586482	1	ENSAMBLE DE CADENA,SINCRONIZACIÓN
12611424	8	ENSAMBLE DE BOBINA,IGNICIÓN
12599296	1	ENSAMBLE DE CUBIERTA,VALLE DE BLOQUE DE MOTOR
12602540	2	ENSAMBLE DE CUBIERTA,ORIFICIO DE TUBO DE PURGA DE AIRE DE ENFRIAMIENTO DE MOTOR



Número de parte	Cant.	Nombre
12633906	1	ENSAMBLE DE CUBIERTA,FRENTE DE MOTOR
88958737	1	ENSAMBLE DE CUBIERTA,BRAZO DE BALANCÍN DE VÁLVULA (IZQUIERDO) Cubierta de válvula reacondicionada no disponible.
12637684	1	ENSAMBLE DE CUBIERTA,BRAZO DE BALANCÍN DE VÁLVULA (DERECHO)
12597569	1	BRAZO DE CIGÜEÑAL
12588670	1	ENSAMBLE DE AMORTIGUADOR,CADENA DE SINCRONIZACIÓN
12558189	1	DEFLECTOR,ACEITE DE CIGÜEÑAL
19172114	1	JUEGO DE EMPAQUE,MÚLTIPLE DE ADMISIÓN (2 POR JUEGO)
12639249	1	EMPAQUE,SELLO DE ACEITE TRASERO DE CIGÜEÑAL
12610046	2	EMPAQUE,CULATA DE CILINDRO
12610141	1	EMPAQUE,CUBIERTA DE VALLE DE BLOQUE DE MOTOR
12633904	1	EMPAQUE,CUBIERTA DELANTERA DE MOTOR
12617944	2	EMPAQUE,MÚLTIPLE DE ESCAPE
12612350	1	EMPAQUE, CÁRTER DE ACEITE
12637683	2	EMPAQUE,CUBIERTA DE BRAZO DE BALANCÍN DE VÁLVULA
12630223	2	EMPAQUE,BOMBA DE AGUA
12595365	4	GUÍA,ELEVADOR DE VÁLVULA
12629063	2	ENSAMBLE DE CULATA,CILINDRO (CON MITADES)
12600254	1	MANGUERA,TUBO DE PURGA DE AIRE DE ENFRIAMIENTO DE MOTOR
12639250	1	ENSAMBLE DE ALOJAMIENTO,SELLO DE ACEITE TRASERO DE CIGÜEÑAL
12561513	1	CUÑA,BALANCEADOR DE CIGÜEÑAL
10166345	32	CUÑA,VÁSTAGO DE VÁLVULA
17122490	16	ENSAMBLE DE ELEVADOR,VÁLVULA
12603758	1	MÚLTIPLE,ESCAPE (IZQUIERDO)
12603760	1	MÚLTIPLE,ESCAPE (DERECHO)
25534401	1	MÚLTIPLE,ADMISIÓN
11516076	9	TUERCA,DEFLECTOR DE ACEITE DE CIGÜEÑAL
11516076	1	TUERCA,TUBO DE SUCCIÓN DE BOMBA DE ACEITE
19172376	1	ENSAMBLE DE CÁRTER, ACEITE. sólo disponible como juego de cárter de aceite No. de parte 19243065.
12570326	4	PASADOR,BLOQUEO DE CULATA
01453658	2	PASADOR,SEGURO DE TRANSMISIÓN
12602548	1	ENSAMBLE DE TUBO,PURGA DE AIRE DE ENFRIAMIENTO DE MOTOR
19207287	8	ENSAMBLE DE PISTÓN,(CON PASADOR)
12582437	1	ENSAMBLE DE PLACA,FLEXIBLE DE TRANSMISIÓN AUTOMÁTICA (CON CUBO)
11610259	1	ENSAMBLE DE TAPÓN,ORIFICIO DE NÚCLEO DE CULATA
09427693	1	ENSAMBLE DE TAPÓN,GALERÍA DE ACEITE DE BLOQUE DE MOTOR
12573460	1	ENSAMBLE DE TAPÓN,GALERÍA DE ACEITE DE BLOQUE DE MOTOR
11588949	2	ENSAMBLE DE TAPÓN,GALERÍA DE ACEITE DE BLOQUE DE MOTOR
11610259	1	TAPÓN,ORIFICIO DE NÚCLEO DE CULATA
11588949	1	TAPÓN,ORIFICIO DE DRENAJE DE BLOQUE DE MOTOR
11611351	1	TAPÓN,ORIFICIO DE DRENAJE DE BLOQUE DE MOTOR
12602048	2	TAPÓN,PURGA DE AIRE DE ENFRIAMIENTO DE MOTOR



Número de parte	Cant.	Nombre
12557520	1	TAPÓN,TUBO DE INDICADOR DE NIVEL DE ACEITE
12621258	8	BUJÍA [A/C # 41-110]
12586665	1	ENSAMBLE DE BOMBA,ACEITE
19180610	1	JUEGO DE BOMBA,AGUA
12589016	1	RETENEDOR,ÁRBOL DE LEVAS
12569638	16	RETENEDOR,PASADOR DE PISTÓN
19168090	8	JUEGO DE ANILLO,PISTÓN
12586768	1	ANILLO,EXCITADOR DE SENSOR DE POSICIÓN DE CIGÜEÑAL
12649190	8	ENSAMBLE DE BIELA
10238852	16	ENSAMBLE DE BIELA,EMPUJE DE VÁLVULA
12585673	1	ENSAMBLE DE SELLO,ACEITE DELANTERO DE CIGÜEÑAL
89060436	1	JUEGO DE SELLO,ACEITE TRASERO DE CIGÜEÑAL
12610160	8	SELLO,CUBIERTA DE VALLE DE BLOQUE DE MOTOR
12602541	2	SELLO,TUBO DE PURGA DE AIRE DE REFRIGERANTE DE MOTOR (ANILLO O)
12585673	1	SELLO,CUBIERTA DELANTERA DE MOTOR
12482062	8	SELLO,ACEITE DE VÁSTAGO DE VÁLVULA DE ESCAPE
12482063	8	SELLO,ACEITE DE VÁSTAGO DE VÁLVULA DE ADMISIÓN
12557752	1	SELLO,TUBO DE SUCCIÓN DE BOMBA DE ACEITE (ANILLO O)
12587397	1	SELLO,ENTRADA DE AGUA
12591720	1	ENSAMBLE DE SENSOR,POSICIÓN DE ÁRBOL DE LEVAS
12585546	1	ENSAMBLE DE SENSOR,POSICIÓN DE CIGÜEÑAL
12608814	1	ENSAMBLE DE SENSOR,TEMPERATURA DE REFRIGERANTE DE MOTOR
12616646	1	ENSAMBLE DE SENSOR,PRESIÓN DE ACEITE DE MOTOR
12623730	2	ENSAMBLE DE SENSOR,DETONACIÓN
12576823	1	PROTECTOR,TÉRMICO DE MÚLTIPLE DE ESCAPE (IZQUIERDO)
12576822	1	PROTECTOR,TÉRMICO DE MÚLTIPLE DE ESCAPE (DERECHO)
15336959	1	PROTECTOR,CABLE DE BUJÍA
12625033	16	ENSAMBLE DE RESORTE,VÁLVULA
12586481	1	RUEDA DENTADA,ÁRBOL DE LEVAS
12556582	1	RUEDA DENTADA,CIGÜEÑAL
12560273	10	PERNO,TAPA DE RODAMIENTO DE CIGÜEÑAL
11518424	4	PERNO,MÚLTIPLE DE ESCAPE
12554211	10	PERNO,SOPORTE DE BONINA DE IGNICIÓN
12600936	2	SOPORTE,PIVOTE DE BRAZO DE BALANCÍN DE VÁLVULA
12582719	8	VÁLVULA,ESCAPE
12569427	8	VÁLVULA,ADMISIÓN
19242908	1	ARANDELA,BALANCEADOR DE CIGÜEÑAL
12627501	1	ENSAMBLE DE CABLE,SENSOR DE POSICIÓN DE ÁRBOL DE LEVAS
12579355	2	ENSAMBLE DE CABLE,BOBINA DE IGNICIÓN
19206446	8	ENSAMBLE DE CABLE,BUJÍA