



## LT4 Crate Engine Control System Kit

4L & T56 with 4 Pin High Pressure Fuel Sensor - P/N 19370428

4L & T56 with 3 Pin High Pressure Fuel Sensor - P/N 19370326

8 Speed with 3 Pin High Pressure Fuel Sensor - P/N 19370328

I-Sheet P/N 19370424

Thank you for choosing Chevrolet Performance as your high performance source. Chevrolet Performance is committed to providing proven, innovative performance technology that is truly.... more than just power. Chevrolet Performance Parts are engineered, developed and tested to exceed your expectations for fit and function. Please refer to our catalog for the Chevrolet Performance Authorized Center nearest you or visit our website at [www.chevroletperformance.com](http://www.chevroletperformance.com).

This control system is a stand alone, fully-integrated kit designed to run Chevrolet Performance LT4 series crate engines with 58x crankshaft reluctor wheels, 4x camshaft indexing, and electronic throttle control (ETC). This engine control kit is designed to operate a "GEN 5" V8 only, it is not designed to operate any earlier engine configurations. Included in the kit are the engine control module (flashed with the appropriate calibration), fuel pump power module, engine harness, accelerator pedal, mass air flow (MAF) sensor, MAF sensor mounting boss, fuel line pressure sensor, oxygen sensors (2), and oxygen sensor mounting bosses (2). This control system is intended for use with a returnless fuel system and fuel pump that is capable of being pulse width modulated (PWM) at 25 kHz to control fuel pressure. A fuel flow rate of 65.6 G/H at 58 psi (400) kPa is needed. Because this is a dead headed system, a pressure relief set at 84 psi (580 KPa) must be included in the fuel line between the tank pump and the engine mounted high pressure pump.

Chevrolet Performance Part Number 19303293 is one example of a compatible fuel pump and it includes an internal pressure relief system. If using this pump, the lower port on the module may be left open or used to connect a remote pick up system. P/N 13587174 is connector pigtail for this pump and is available from your local dealer.

A pump with excessive capacity may result in cavitation at low flow due to the pump repeatedly stopping and starting instead of controlling to a speed/pressure. Alternatively, a fuel system operating at a fixed 500 KPa could be used and a fuel pump relay may be triggered by the Green/Gray wire in cavity 2 of the Fuel Pump Power Module (FPPM) connector. The Green/Gray wire is 12 volt positive side control for a fuel pump relay. Do not use or install the Fuel Pump Power Module if using this alternate method. Diagnostic codes will be set in the ECM if the FPPM is not used, but will not illuminate the MIL (malfunction indicator light). Note that excessive fuel heating and potential startability/drivability issues may result from a constant high pressure.

**DIFFERENT KITS USE DIFFERENT HARNESSSES, EVEN THOUGH THEY LOOK THE SAME. EACH HARNESS IS UNIQUE TO A MODEL YEAR ENGINE. CHECK WITH YOUR DEALER IF YOU HAVE QUESTIONS.**

**IMPORTANT: Read the 'System DOs and DON'Ts' section below before attempting to install the engine and then review again before attempting start the vehicle. Note that if the engine will not come off idle after the control system installation, check for an illuminated MIL (malfunction indicator light, which is located in the fuse/relay center, sometimes called the "Check Engine Light" or "Service Engine Soon" light) which indicates stored fault codes. Check for codes and make any required repairs if the MIL is illuminated (typically it is a connector issue or a wiring issue), consult a service manual if necessary (2016 Cadillac CTS-V).**

**Observe all safety precautions and warnings in the service manuals when installing this package in any vehicle. Wear eye protection and appropriate protective clothing. Support the vehicle securely with jack stands when working under or around it. Use only the proper tools. Exercise extreme caution when working with flammable, corrosive, and hazardous liquids and materials. Some procedures require special equipment and skills. If you do not have the appropriate training, expertise, and tools to perform any part of this conversion safely, this work should be done by a professional.**

### System DOs and DON'Ts:

#### **Do:**

- Ensure all intended engine/vehicle side connections are made before connecting ignition or battery power to the system.
- Ensure the wiring harness is secured as required, and that the routing avoids locations which can potentially damage the wiring (e.g.: sharp edges, pinch points, rotating components, exhaust components, etc.). Make sure any unused connectors or wiring are properly secured and protected (sealed or taped as required to avoid short circuiting).
- Ensure all engine and wiring harness grounds are clean and secure. Minimum 3/4 inch braided strap from the engine to the vehicle chassis is recommended.
- Ensure the MAF sensor is oriented correctly in the induction (it will only read correctly in the proper direction). An arrow is located on the sensor indicating correct flow direction. Verify this before welding the mounting boss, as the sensor will mount only one way in the boss.
- Ensure the MAF Sensor is mounted in the middle of a minimum 6 inch length of 4 inch diameter tube, and is a minimum of 10 inches from the throttle body.
- Ensure the fuel pump has the following flow capability: Minimum 65.6 gph @ 400 kPa (58 psi).



- Ensure battery voltage is connected using a minimum 8 gauge wire to one of the studs on the fuse block.
- Ensure that the accelerator pedal clearances meet the guidelines below.
- Ensure the Fuel Line Pressure Sensor is installed properly.
- Ensure Fuel Pump Power Module is installed properly.
- Once the engine is warmed up. Oil pressure step changes of 10 psi or more may be seen. This is a normal operating condition. Do not remove Oil Pressure Sensor. Sensor input is required for proper engine operation.

**Don't:**

- Change or alter any wiring in the accelerator pedal or electronic throttle systems.
- Vacuum reference the fuel system.
- Solder or alter any Oxygen Sensor wiring.

**Vehicle Requirements**

**Vehicle Speed Input**

The ECM is programmed and looking for 40 pulses per revolution typical for automatic transmissions. The LT4 Control System harness is designed to plug into the output speed sensor of 4LXX Transmissions or the T56 Super Magnum manual transmission, which have a 40 pulse output. The ECM MUST have the VSS plugged in. If the ECM does not see the VSS, throttle will be limited to 30% to protect the engine from over speed. For 8 Speed automatic transmissions, the vehicle speed sensor information is fed to the transmission controller over the CAN lines. The Vehicle Speed Sensor connector is not used.

**Axle Ratio and Tire Size Requirements**

The axle drive ratio in the calibration is set to 3.42:1 and is suitable for ratio from 3.08 to 4.11. Tire diameter needs to be between 26" and 30". **NOTE: For optimal performance choose an axle ratio and a tire size with-in the recommended range.**

**NOTE:**

All Engines are shipped with a manual transmission flywheel and do not include the starter. For automatic transmission applications, the flexplate and torque converter must be purchased separately. See [www.chevroletperformance.com](http://www.chevroletperformance.com) for recommended Chevy Performance clutches and flywheels.

**Also see the CHEVROLET PERFORMANCE Catalog or [chevroletperformance.com](http://chevroletperformance.com) for recommended starter, flexplate, & torque converter components.**

**NOTE:** The parts listed here may have been updated or superseded, go to [gmperformanceparts.com](http://gmperformanceparts.com) for the latest part number list.

**Parts List:**

These instructions cover the following packages:

- 19370428 - LT4 Controller Kit for 4L & T56 Trans with 4 Pin High Pressure Fuel Sensor
- 19370326 - LT4 Controller Kit for 4L & T56 Trans with 3 Pin High Pressure Fuel Sensor
- 19370328 - LT4 Control kit for 8 Speed trans with 3 Pin High Pressure Fuel Sensor

**All Engine control kits have the following parts:**

- 19370424 I-Sheet (Instruction Sheet)
- 19331509 Engine wire harness for 4 pin High Pressure Fuel Sensor, Qty 1  
or
- 19356491 Engine wire harness for 3 pin High Pressure Fuel Sensor, Qty 1
- 23262344 Mass Air Flow Sensor, Qty 1
- 19166574 Mass Air Flow Sensor Bracket, Qty 1
- 10379038 Pedal Assembly, Qty 1
- 12656577 Oxygen Sensor, Qty 2
- 15156588 Oxygen Sensor Mounting Boss, Qty 2
- 19300176 Bolt/Screw, Qty 2
- 19300177 Washer, Qty 2
- 13579380 Fuel Line Pressure Sensor, Qty 1
- 23382215 Fuel Pump Power Module, Qty 1
- 11588564 Bolt (M8x1.25x25), Qty 2
- 11562004 Bolt (M10x1.52x30), Qty 2
- 22942442 Emblem, Qty 1
- Engine Control Module, Qty 1
  - 19370427 - 4 Pin High Pressure Fuel Sensor for 4L & T56  
or
  - 19370327 - 3 Pin High Pressure Fuel Sensor for 4L & T56  
or
  - 19370329 - 3 Pin High Pressure Fuel Sensor for 8 Speed Trans Engine Control Module – unique to LT4 Automatic

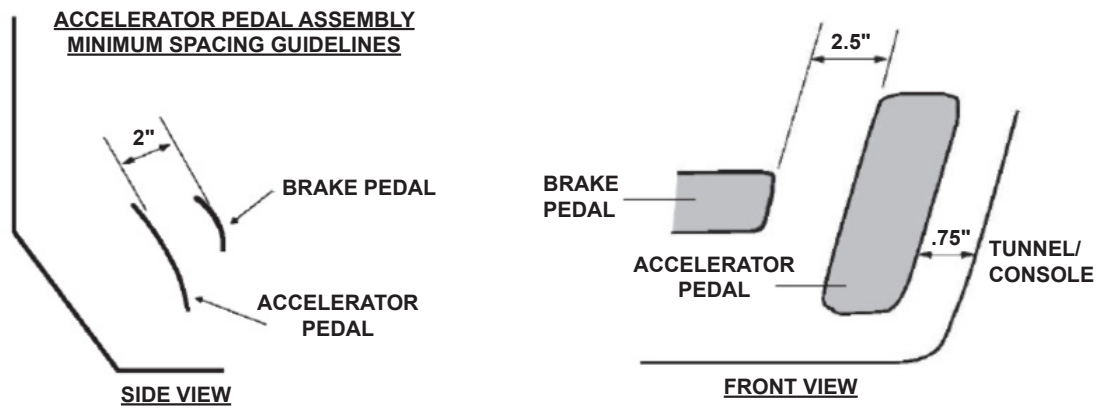
**Installation Instructions:**

**ECM**

The Engine Control Module (ECM) is environmentally sealed and can be mounted under hood, however, avoid extremely hot locations (exhaust, etc.) or high splash areas. It is not recommended that the ECM be mounted directly to the engine.

**Accelerator Pedal**

Mount the accelerator pedal per the following dimensional guidelines, mounting details are application-specific and are left to the user. Ensure that the pedal is securely mounted to the vehicle. A grommet is required in any sheet metal hole that the harness routes through to avoid wire damage.



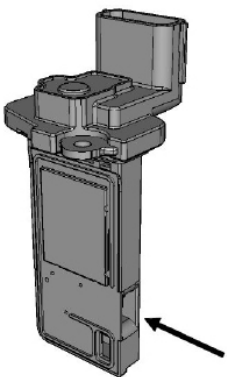
**Mass Air Flow (MAF) Sensor**

**NOTE: It is critical that the MAF sensor is mounted per the instructions below. Vehicle performance and/or drivability may be affected if it is not mounted as recommended.**

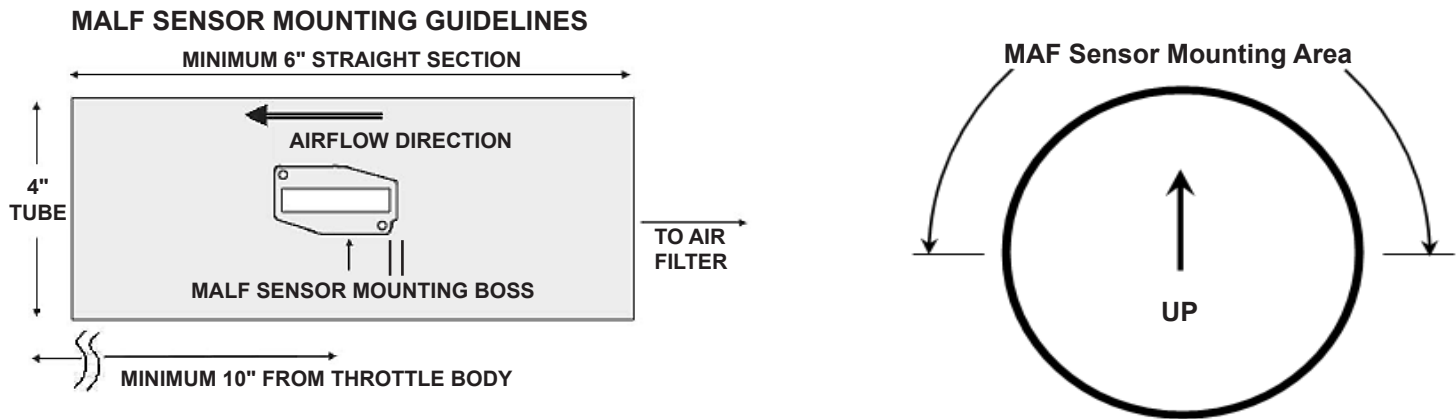
The mass air flow sensor must be installed in the induction system using the supplied MAF sensor mounting boss. The induction system should be 4 inches in diameter and have a minimum straight section 6 inches in length. Mount the MAF sensor in the middle of the straight induction section, ensuring that the middle of the mounting boss is at least 10 inches from the throttle body.

**The MAF sensor must be oriented correctly in the induction system - note the arrow on the sensor indicating flow direction. Be sure to weld the mounting boss correctly - the sensor will only mount one way in the boss (see diagram).**

**THE MAF MAY NOT HAVE A FLOW DIRECTION ARROW ON THE TOP. THE CORRECT ORIENTATION OF THE MAF IS AS SHOWN BELOW:**



Weld the boss in place before installing the sensor. When installed in the vehicle, the MAF sensor should be mounted with the connector end pointing between horizontal and fully upright – do not mount with the connector oriented downward.



**Air Cleaner:** It is recommended that a dry element air cleaner be used. Chevrolet Performance universal air inlet kit, P/N 19301246 is available for use and meets all of the above requirements.

**NOTE: Fueling cannot be guaranteed if an oiled element type air cleaner is used.**

### Oxygen Sensors

**NOTE: It is critical that the Oxygen Sensors are mounted per the instructions below. The exhaust system MUST be properly sealed – any leak near the sensors (upstream or downstream) can cause incorrect operation of the fuel control system. Vehicle performance and/or driveability may be affected if sensors are not mounted as recommended or if an exhaust leak exists. Leak check the exhaust system to ensure adequate sealing (even small leaks can affect fuel control).**

**Oxygen Sensors** should be mounted in the collector area of the exhaust manifolds in a location that allows exhaust from all cylinders to be sampled equally (stock exhaust manifolds include a mounting boss for the oxygen sensors). Be sure the connectors and wiring are routed away from high heat areas. The oxygen sensors should be mounted with the sensor tip pointing between horizontal and fully downward – do not mount with the tip oriented upward. Weld in the mounting bosses supplied (7/8" hole) if using headers.

**Exhaust Manifolds:** It is recommended that you use the provided exhaust manifolds or similar GEN 5 Engine style Exhaust Manifolds.

### Positive Crankcase Ventilation System (PCV)

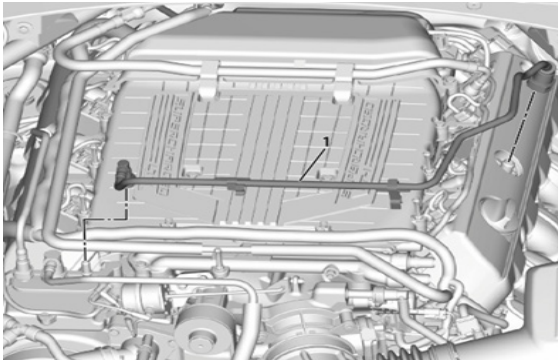
#### **How to set up your PVC system:**

A positive crankcase ventilation system is used in order to provide a more complete scavenging of crankcase vapors. Filtered air from the air induction system duct is supplied to the crankcase, mixed with blow-by vapors, and passes through a crankcase ventilation metering device before entering the supercharger. The primary component in the positive crankcase ventilation (PCV) system is the PCV flow metering device (valve or orifice). Vacuum changes within the supercharger result in flow variations of the blow-by vapors. If abnormal operating conditions occur, the design of the PCV system permits excessive amounts of blow-by vapors to back flow through the crankcase vent tube and into the engine induction system to be consumed during normal combustion. This engine ventilation system design minimizes oil consumption and significantly reduces the potential for oil ingestion during vehicle limit handling maneuvers.

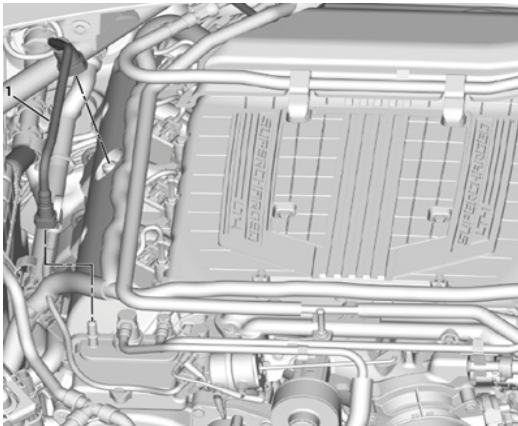
The LT4 engine utilizes an integral positive crankcase ventilation (PCV) system which is located in the Valve Lifter Oil Manifold Assembly beneath the Supercharger Assembly. The Valve Lifter Oil Manifold Assembly contains composite oil separating baffles and PCV plumbing. Filtered fresh air is routed from upstream of the throttle plate to the engine oil tank where it mixes with crankcase gasses and is passed to both engine rocker arm covers. The rocker arm covers' design shields rocker arm oil spray, thereby reducing the potential for oil being drawn back into the tank during backflow of the ventilation system. If oil is drawn back into the tank it will drain down to the oil pan, which further reduces oil consumption. Blow-by vapors are routed from the valve lifter oil manifold assembly through a fixed orifice (7.5 mm) within a steel PCV tube, then into the underside of the supercharger near the front of the valve lifter oil manifold assembly. In order for the PCV system to function correctly, tubing with an 8 mm inside diameter must be connected from each Valve Cover to the oil separator. The center port of the separator must be connected to the fresh air inlet between the MAF sensor and the throttle blade.

**For wet sump LT4 engines:**

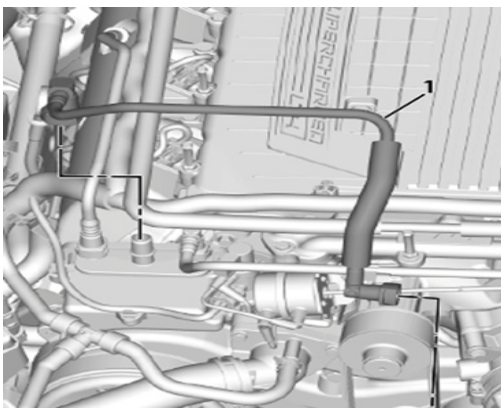
PCV tube 12668976 (item 1 below) can be purchased from your local Chevy dealer to ensure correct PCV operation for the Left side PCV.



PCV tube 12644356 (item 1 below) can be purchased from your local Chevy dealer to ensure correct PCV operation for the Right side PCV.



PCV hose 12687313 can be purchased to obtain the quick connect fittings necessary to connect to the oil separator and the inlet system.



**Power Brake Booster Vacuum Source:**

An auxiliary vacuum pump will need to be purchased if power brakes are desired. Several different electric vacuum pump configurations are available from your local dealer. Please see Corvette LT1 and Corvette LT4 as well as Cadillac CTS-V LT4. The LT4 engine will not produce adequate vacuum to support power brakes under all operating conditions.

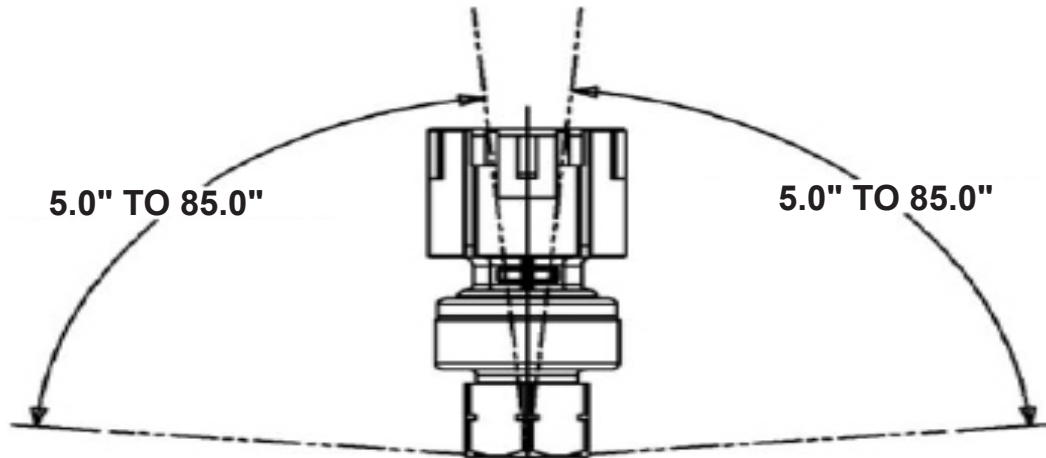
**Oil Pressure Sensor:**

The oil pressure sensor that comes on the engine should not be removed or modified. It is required to ensure proper control of the oil pump and Cam Phaser.



**Fuel Line Pressure Sensor**

This sensor is necessary for operation of the Fuel Pump Power Module. The fuel line Pressure Sensor should be installed as far away from the engine as practical in the fuel feed line. This will help dampen any fuel pressure spikes from the engine mounted high pressure fuel pump. Do not use an impact drive to install the sensor. Torque to 15 NM +/- 5 NM. The sensor must be mounted on an M10x1.0 port with an o’ring seal capable of sealing fuel. The Fuel Line Pressure Sensor must be mounted as shown:



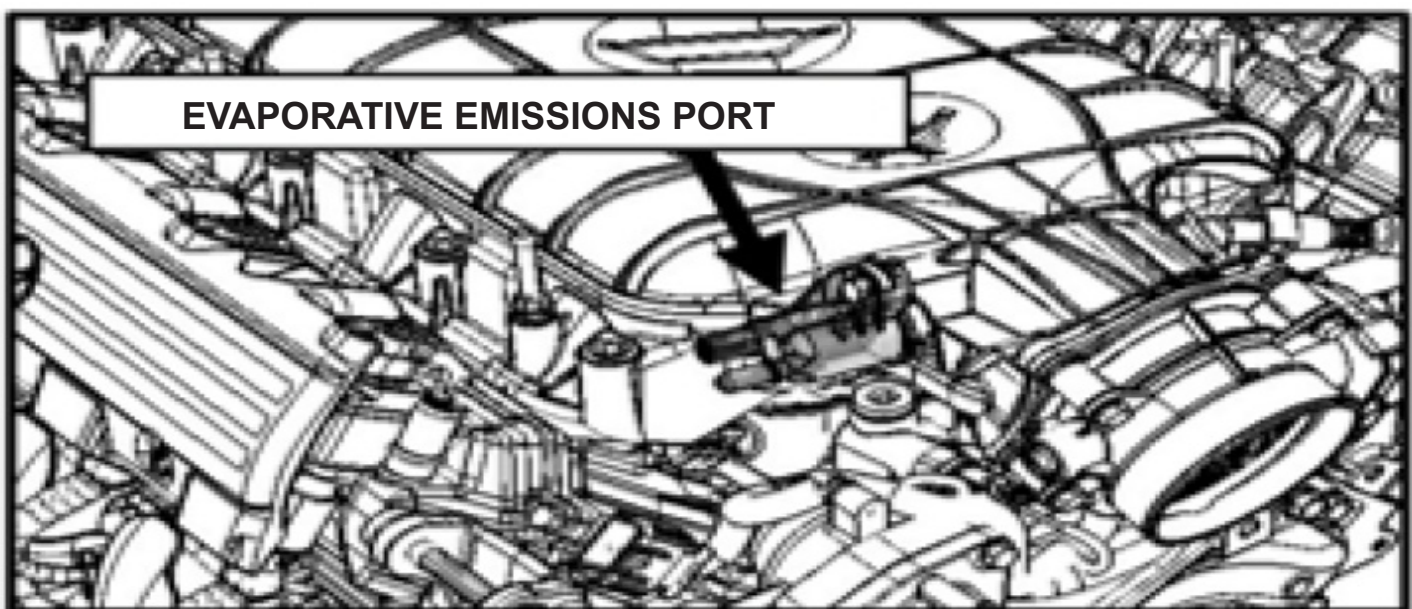
**ALLOWABLE MOUNTING ORIENTATION IN ANY DIRECTION RELATIVE TO VERTICAL POSITION**

**Fuel Pump Power Module**

The Fuel Pump Power Module should be mounted as close to the fuel pump as practical and the wires powering the fuel pump must remain twisted. If additional length is needed, maintain a twist of 27 turns per meter (8 turns per foot) to ensure adequate protection from Electromagnetic Interference with the rest of the vehicle (i.e. radio and other control modules). The Fuel Pump Power Module is fully sealed and can be mounted in any orientation but best practices should be maintained (i.e. away from heat sources, maintain adequate clearance to moving parts, maintain adequate ground clearance, connector pointed in a downward direction to prevent water intrusion etc).

**Evaporative Emissions Valve**

The evaporative emissions system can be used with the Chevrolet Performance Engine control kit, but is not required for proper engine operation. The port must be either plugged or connected to a vapor canister.





### **Engine Wiring Harness**

The following lists the engine and vehicle side connections. Optional circuits are described in the 'Optional Connections' section below: **NOTE: A Malfunction Indicator Lamp (MIL- sometimes called a "service engine soon" light) is mounted inside the fuse/relay center. A redundant MIL output is also available in the harness near the pedal module connector. It is recommended that a MIL also be installed in a visible location in the passenger compartment. This circuit requires any 12v low current light and an ignition 12v power source. The ECM MIL output supplies the ground for the circuit.**

#### **Connections Required for Correct Operation**

Vehicle Speed Sensor – 2 pin Connector not used for 8 speed transmission applications  
Mass Air Flow (MAF) Sensor – 8 pin Connector  
Electronic Throttle Control – 5 pin Connector  
Manifold Absolute Pressure (MAP) Sensor – 3 pin Connector  
Oxygen Sensors (2 total) – 4 pin Connectors  
Knock Sensors (2 total) – 2 pin Connectors  
Ignition Coils (8 total) – 4 pin Connectors  
Crankshaft Position Sensor – 3 pin Connector  
Accelerator Pedal Sensor – 6 pin Connector  
Ignition Switch Input – 1 Wire  
Fuel Pump Control – 2 Wires  
Fuel Pump PWM Control and Shield - 3 wires  
Battery Power (Stud at Fuse/Relay Center)  
Cooling Fan Control – 2 Wires  
Even Injectors and High Pressure Fuel Pump – 12 pin connector  
Odd Injectors and Rail Pressure – 12 pin connector  
Coolant Temperature and Oil Pressure – 10 pin connector, part of LOMA  
Two Stage Oil Pump, Cam Position and Cam Phaser – 8 pin connector  
Generator – 2 pin connector  
ECM (3 total) – 73 pin connectors  
Fuel Line Pressure – 3 pin connector  
Fuel Pump Power Module (FPPM) – 16 pin connector

#### **Optional Connections (Not required for operation)**

Optional User Outputs Bulkhead – 12 pin Connector (12-way) Required for Chevy Performance Supermatic Transmission Control Systems  
Malfunction Indicator Lamp (MIL) – 1 Wire  
Assembly Line Diagnostic Link (ALDL) – 16 pin connector  
Top of Travel Clutch Switch/Brake Switch – 2 wires  
Canister Purge Solenoid – 2 pin connector

#### **Connections**

Connect all engine/vehicle-side connectors before connecting the harness to the ECM. All engine/vehicle-side connectors are functionally labeled, consult a service manual if necessary to determine connection locations (see following service manual information).

**Note: It may be easier to install the harness on the engine before installing the engine into the vehicle.**

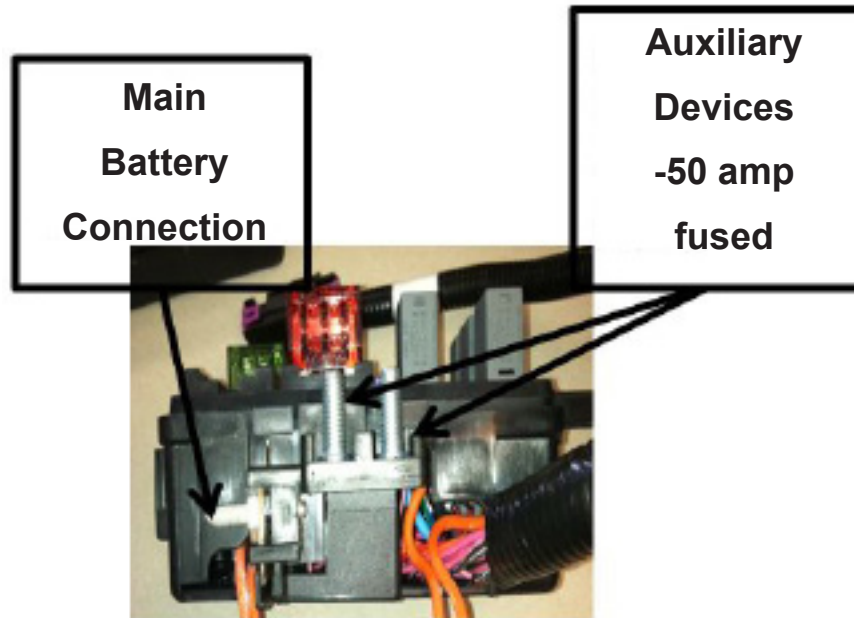
The harness includes a fuse/relay center containing all required fuses and relays, and also a 12-way bulkhead connector (with sealed mating connector) which contains outputs that may be useful to the user (see 'Bulkhead Connector Outputs' section below). The fuse/relay center should be mounted as high in the engine compartment as possible to avoid unnecessary splash and road debris. Likewise, keep the 12-way bulkhead connector and diagnostic link connector (both connect from the fuse/relay center) as high and protected as possible.

The 3 ECM connectors are indexed to connect only in the correct locations. Install by pressing down firmly until the connector is seated, then pull the top slider bar down until it snaps and locks into place. The bar should slide easily and will not move unless the connector is seated properly, do not use excessive force.

Attach the harness ground eyelets (5 total) to the engine block using the 4 bolts provided, ensuring the connections are clean and secure, and attach the fuel pump wires from the FPPM to the power and ground of the pump. Two ground eyelets should be attached under one bolt on the rear of the cylinder head.

For manual transmission applications, a pair of wires for connection to a top of travel clutch switch have been provided. Not to be confused with the bottom of travel clutch switch or neutral safety clutch switch which prevents starter engagement without fully depressing the clutch. The top of travel clutch switch is used to briefly disable fuel when the clutch is depressed which helps decelerate the engine and makes upshifting easier and quicker. A compatible clutch switch will have two pins which provide a closed circuit when the clutch pedal is fully released and an open circuit as soon as the clutch pedal is partially depressed.

**Make sure all intended engine and vehicle side connections have been made before proceeding to connect power.**



Attach a 12 volt ignition switch feed from the vehicle to the pink ignition switch wire in the harness (this is required to enable the proper power-up sequence of the ECM). This 12 Volt Power Source must be constant during crank to ensure the Engine Control Module remains powered during engine cranking. This can be routed into the passenger compartment with the accelerator pedal connector and diagnostic link connector. Next, connect battery power (minimum 8 gauge wire) to the horizontal stud on the fuse relay center. The other two studs are for accessories and are 50 amp fused), and the harness installation is complete.

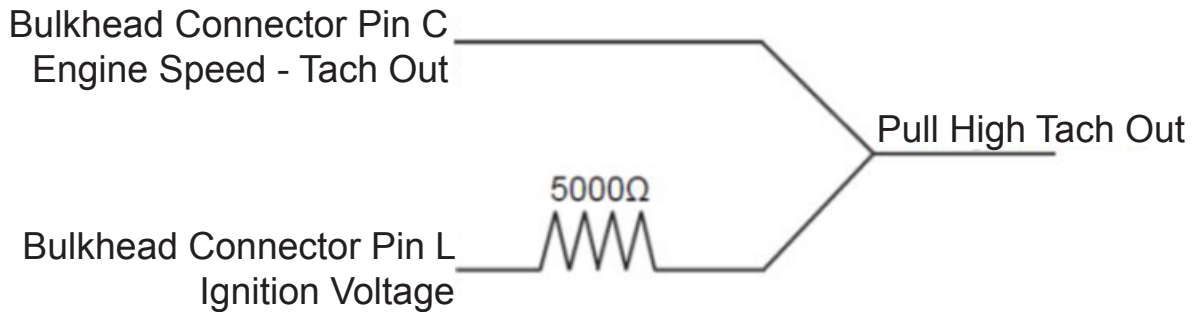
Additional features and bulkhead connector descriptions are also included below:

**System Features**

- The Fuse/Relay center contains all required fuses and relays for proper engine operation. Spare fuse and relay openings are provided for customer's possible future use.
- The Fuse/Relay center includes a malfunction indicator light (MIL) which will illuminate in the event of an engine fault code. See your Chevrolet Performance dealer to have this code retrieved at the diagnostic link connector in the fuse/relay center. Codes can also be retrieved using an aftermarket diagnostic scan tool capable of reading this configuration. Note that the MIL will illuminate when the vehicle is keyed-up - this is normal, and it will go out once the engine is started if there are no current fault codes. A redundant MIL wire is included in the wiring harness to allow a light to mount inside the passenger compartment. The wire is located in the wire bundle near the pedal connector and the ignition voltage.
- Two cooling fans are controlled by the ECM. Control is set to turn on the first a 12 V fan at 97 Deg C (207 Deg F) coolant temperature and the second fan at 105 Deg C (221 Deg F). The fan control wires are fused/relayed and can be connected directly to the fans.
- The fuel pump is controlled by the FPPM. The control wires supply a pulse width modulated (PWM) 12 V and should connect directly to the fuel pump.
- The gray fuel pump wire is fuel pump control, or positive. The Yellow with Black stripe wire is the ground or reference. The solid thin Black wire is for shielding and should be attached to the fuel pump shielding pin. If no shielding pin is present, leave this wire unterminated (blunt cut) and taped to the harness. Chevrolet Performance pump P/N 19303293 does NOT have a shielding pin.



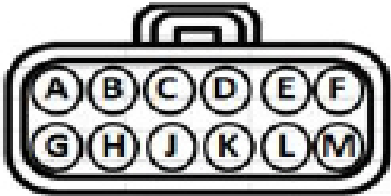
- A tachometer signal is included in the bulkhead connector (see below). This is a 4 pulse/rev output which may correspond to an 8-cylinder setup in some tachometers or transmission controllers. Note the signal is a low voltage square wave, some tachometers or transmission controllers may need a pull-up resistor in order to read the signal, similar to a 5000 ohm, 1/4 watt resistor– this detail is left to the user. The following circuit has worked for numerous devices – the resistor value may need to be changed if your device does not read this output properly.



**NOTE:** When connected to the CHEVROLET PERFORMANCE Supermatic Connect and Cruise Harness the pull up resistor is not required for the Transmission Controller.

- A vehicle speed output is included in the bulkhead connector for use with auto-scaling speedometers. The vehicle speed sensor connector in the harness must be attached to a variable reluctance type speed sensor (typical of most late model GM automatic transmissions) for this to function.

### Bulkhead Connector Outputs

Bulk Head Connector			Mating Connector	
 <p>Load View or Rear View</p>			15326849 Connector	15326854 Connector
			12191818 Female Terminal	15326269 Male Terminal
			15366021 Seal	15366021 Seal
			15305171 Plug	15305171 Plug
			15430903 TPA	15430903 TPA
			15317832 CPA	
Circuit #	Position	Wire Gage	Color	Description
2501B	A	0.5	White	GMLAN Low Speed (-)
-	B	-	Plug	Empty
C_121	C	0.75	White	Engine Speed
C_818	D	0.75	Brown	Vehicle Speed - Out
-	E	-	Plug	Empty
-	F	-	Plug	Empty
2500B	G	0.5	Lt Blue	GMLAN Low Speed (+)
331B	H	0.5	Yellow/Brown	Oil Pressure Signal
-	J	-	Plug	Empty
C_IGN	K	1.0	Orange	Battery Power Fuse
C_IGN	L	0.75	Pink	Ignition "On" Power
C_50E	M	1.0	Black	Ground



Bulkhead connector outputs - Terminals for the included mating connector can be acquired at a GM dealership in the Delphi Terminal Service kit. Terminals are GM part number 19167018 and wire seals are Delphi part number 15366021 (white seal). At many dealerships these can be found at the Parts Department.

- GMLAN Communication Link (WHITE [+], LT BLUE [-]) – This provides the GMLAN communication messages containing engine operating parameters for potential use in future add on modules – any current integration of this is left to the user. This may integrate with a LAN dash or an electronic dash readout display.
- Tachometer Signal (WHITE) – This is a 4 pulse/rev output (see features above).
- Vehicle Speed (BROWN) – This is a non-scaled output for use with auto-scaling speedometers and will not function unless a vehicle speed sensor (VSS) is connected to the ECM through the VSS wire in the harness.
- Oil pressure Sensor (YELLOW/BROWN Stripe) – This is the output from the oil pressure sensor which can be used for monitoring (Pressure (psig) =  $[32 * \text{Sensor Voltage}] - 16$ ). Use the ground wire in the bulkhead connector as the low reference (ground).
- 10A Fused 12V Power (ORANGE) - This is a power output supply and is always enabled.
- 15A Fused 12V Ignition Power (PINK) – This is a power output supply and is enabled only when the ignition is on.
- Ground (BLACK) – This is used as the low reference (ground) for completion of the oil pressure output circuits. It can also be used for modules connected to either of the fused 12V outputs.

NOTE: If you are using CHEVROLET PERFORMANCE Supermatic Transmission Control System kit #19302405 or 19302410 the Bulk Head Connector must be plugged into the CHEVROLET PERFORMANCE Supermatic Connect and Cruise harness.

#### **Start-up and Break-in Procedures**

Follow the Start-up and Break-in procedure that came with the Engine Instructions.

#### **Service information**

Contact your Chevrolet Performance Dealer for Service or for instructions on how to obtain Service Manuals and Service Information.

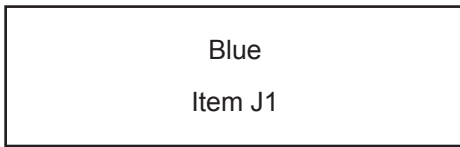
Appendix:

See [www.chevroletperformance.com](http://www.chevroletperformance.com) for recommended starters, clutch and flywheels for the manual applications and accessory drive parts.



**ECM Connectors Pinouts:**

ECM



<u>Cavity</u>	<u>Circuit</u>	<u>Size(mm)</u>	<u>Color</u>	<u>Circuit Description</u>
2	7446	0.5	LB/WT	Fuel Line Pressure Sensor Signal
4	3200	0.5	YL/WT	Throttle Inlet Absolute Pressure Sensor Signal
5	3201	0.5	WT/RD	Throttle Inlet Absolute Pressure Sensor 5V Reference
8	7447	0.5	BK/YL	Fuel Line Pressure Sensor Low Reference
14	1164	0.5	WT/RD	Accelerator Pedal Position 5 Volt Reference (1)
15	1161	0.5	YL/WT	Accelerator Pedal Position Signal (1)
24	7445	0.5	BR/RD	Fuel Line Pressure Sensor 5V Reference
30	1271	0.5	BK/LB	Accelerator Pedal Position Low Reference (1)
33	1274	0.5	BR/RD	Accelerator Pedal Position 5 Volt Reference (2)
34	1162	0.5	LG/WT	Accelerator Pedal Position Signal (2)
36	7493A	0.5	LB/BK	High Speed GMLAN Serial Data (+)(3)
37	7494A	0.5	WT	High Speed GMLAN Serial Data (-)(3)
39	2500	0.5	LB	High Speed GMLAN Serial Data (+)(1)
40	2501	0.5	WT	High Speed GMLAN Serial Data (-)(1)
41*	2918	0.5	BU/WH	Fuel Rail Pressure Sensor Signal
42	C FN2C	0.5	BL/RD	Fan2 Control
43	C 818	0.75	BN	Vehicle Speed Output
44	465	0.5	LG/GY	Fuel Pump Primary Relay Control
46	419	0.5	BR/WT	Check Engine Indicator Control
51	439A	0.5	VT/LG	Run/Crank Ignition 1 Voltage
52	740	0.5	RD/YL	Battery
53	1272	0.5	BK/VT	Accelerator Pedal Position Low Reference (2)
59	2366	0.5	WT/BK	Cooling Fan Control Relay Speed Signal
60	5291	0.5	VT/LB	Powertrain Main Relay Fused Supply (2)
64	C 20	0.5	YE	Top of Travel Clutch Switch
67	5292	0.75	VT/LB	Powertrain Main Relay Fused Supply (3)
72	5991A	0.5	YL	Powertrain Relay Coil Control
73	5290B	2.5	VT/LB	Powertrain Main Relay Fused Supply (1)

\* Dependent on Harness



ECM

Black  
Item J2

<u>Cavity</u>	<u>Circuit</u>	<u>Size(mm)</u>	<u>Color</u>	<u>Circuit Description</u>
3	2919	0.5	BK/LG	Fuel Rail Pressure Sensor Low Reference
6	C 821	0.5	PP/WH	Vehicle Speed Sensor +
7	C 822	0.5	L-GN/BK	Vehicle Speed Sensor -
10	3110	0.5	VT/GY	Heated Oxygen Sensor High Signal Bank 1 Sensor (1)
11	3210	0.5	VT/WT	Heated Oxygen Sensor High Signal Bank 2 Sensor (1)
15	4008	0.5	BR/GY	Humidity Sensor Signal
16	582	0.5	BR/WT	Throttle Actuator Control Close
18	2917	0.5	BR/RD	Fuel Rail Sensor (5) Volt Reference
19*	2918	0.5	LB/WT	Fuel Rail Pressure Sensor Signal
26	3111	0.5	WT/BK	Heated Oxygen Sensor Low Signal Bank 1 Sensor (1)
27	3211	0.5	YL/WT	Heated Oxygen Sensor Low Signal Bank 2 Sensor (1)
32	581	0.5	YL	Throttle Actuator Control Open
34	2701	0.5	BR/RD	Throttle Position Sensor 5 Volt Reference
36	496	0.75	VT/GY	Knock Sensor Signal (1)
37	1876	0.75	WT/GY	Knock Sensor Signal (2)
41	3113	0.5	GY/WT	Heated Oxygen Sensor Low Control Bank 1 Sensor (1)
43	432	0.5	LG/WT	Manifold Absolute Pressure Sensor Signal
44	2704	0.5	GY/RD	Manifold Absolute Pressure Sensor 5 Volt Reference
47	C 121	0.75	WH	Engine Speed Output
49	6289	0.5	WT/LB	Induction Air Temperature Sensor Signal
51	428	0.5	LG/LB	EVAP Canister Purge Solenoid Control
52	492	0.5	LG/WT	Mass Air Flow Sensor Signal
53	25A	0.5	BR	Charge Indicator Control
54	2752	0.5	BK/BR	Throttle Position Sensor Low Reference
55	23A	0.5	GY	Generator Field Duty Cycle Signal
56	1716	0.75	BK/YL	Knock Sensor Low Reference (1)
57	2303	0.75	BK/GY	Knock Sensor Low Reference (2)
59	179	0.5	LB	Oil Pump Command Signal
61	3212	0.5	LG/YL	Heated Oxygen Sensor Heater Low Control Bank 2 Sensor (1)
63	469	0.5	BK/LG	Manifold Absolute Pressure Sensor Low Reference
69	2760	0.5	BK/VT	Intake Air Temperature Sensor Low Reference
70	3630	0.5	LB/WT	Throttle Position Sensor (SENT1) Signal
73	451	2.5	BK/WT	Signal Ground

\* Dependent on Harness





ECM

Gray  
Item J3

<u>Cavity</u>	<u>Circuit</u>	<u>Size(mm)</u>	<u>Color</u>	<u>Circuit Description</u>
1	331	0.5	YL/BR	Oil Pressure Sensor Signal
2	2705	0.5	WT/RD	Oil Pressure Sensor 5 Volt Reference
3*	2161	0.5	BR/YL	Fuel Rail Pressure Sensor #2 Signal
8	410	0.5	LB	Crankshaft 60X Sensor Voltage
10	6270	0.5	VT/LB	Ignition Control (3)
11	2123	0.5	LG/LB	Ignition Control (4)
12	2124	0.5	YL/LB	Ignition Control (5)
13	2125	0.5	LB/GY	Ignition Control (6)
14	2126	0.5	BR/LB	Ignition Control Low Reference Bank 2
15	2130	0.5	BK/GY	High Pressure Fuel Pump Actuator High - Control
16	7301	0.75	YL	Oil Pressure Sensor Low Reference
17	2755	0.5	BK/VT	High Pressure Fuel Pump Actuator High - Control
24	2761	0.5	YL	Coolant Temperature Sensor Low Reference
25	6272	0.5	BK/VT	Crankshaft 60X Sensor Signal
26	6271	0.5	LG	Crankshaft 60X Sensor Low Reference
27	2122	0.5	LB/WT	Ignition Control (2)
28	2127	0.5	LG/GY	Ignition Control (7)
29	2128	0.5	VT/WT	Ignition Control (8)
30	2121	0.5	LB/VT	Ignition Control (1)
31	2129	0.5	BK/LB	Ignition Control Low Reference Bank 1
32	7300	0.75	VT/BK	High Pressure Fuel Pump Actuator Low - Control
33	5275	0.5	YL/VT	Camshaft Position Intake Sensor (1)
34	5300	0.5	GY/LB	Camshaft Position Intake Sensor Supply Voltage (1)
39	5284	0.5	VT/BR	Camshaft Phaser Intake Solenoid (1)
45	4804	0.5	GY/LB	Direct Fuel Injector (DFI) High Voltage Control Cylinder (4)
46	4802	0.5	LB	Direct Fuel Injector (DFI) High Voltage Control Cylinder (2)
47	4806	0.5	VT/LG	Direct Fuel Injector (DFI) High Voltage Control Cylinder (6)
48	4808	0.5	GY	Direct Fuel Injector (DFI) High Voltage Control Cylinder (8)
49	4803	0.5	LG	Direct Fuel Injector (DFI) High Voltage Control Cylinder (3)
50	4807	0.5	YL/GY	Direct Fuel Injector (DFI) High Voltage Control Cylinder (7)
51	4805	0.5	WT/LG	Direct Fuel Injector (DFI) High Voltage Control Cylinder (5)
52	4801	0.5	BR	Direct Fuel Injector (DFI) High Voltage Control Cylinder (1)
53	5301	0.5	BK/LG	Camshaft Position Intake Sensor Low Reference
59	6753	0.5	BK/BR	Camshaft Phaser W Return Low Reference
65	4904	0.5	LB/WT	Direct Fuel Injector (DFI) High Voltage Supply Cylinder (4)
66	4902	0.5	LB/GY	Direct Fuel Injector (DFI) High Voltage Control Cylinder (2)
67	4906	0.5	VT/GY	Direct Fuel Injector (DFI) High Voltage Control Cylinder (6)
68	4908	0.5	GY/WT	Direct Fuel Injector (DFI) High Voltage Control Cylinder (8)



69	4903	0.5	LG/GY	Direct Fuel Injector (DFI) High Voltage Control Cylinder (3)
70	4907	0.5	WT/YL	Direct Fuel Injector (DFI) High Voltage Control Cylinder (7)
71	4905	0.5	LG/WT	Direct Fuel Injector (DFI) High Voltage Control Cylinder (5)
72	4901	0.5	BR/WT	Direct Fuel Injector (DFI) High Voltage Control Cylinder (1)
73	451A	2.5	BK/WT	Signal Ground

\* Dependent on Harness

These specifications are intended as a supplement to GM service manuals. It is not the intent of these specifications to replace the comprehensive and detailed service practices explained in the GM service manuals.

The information contained in this publication is presented without any warranty. All the risk for its use is entirely assumed by the user. Specific component design, mechanical procedures, and the qualifications of individual readers are beyond the control of the publisher, and therefore the publisher disclaims all liability incurred in connection with the use of the information provided in this publication.

Chevrolet, Chevy, the Chevrolet Bow Tie Emblem, General Motors, and GM are all registered trademarks of the General Motors Corporation.



## Trousse de système de commande du moteur en caisse LT4

4L et T56 avec capteur de carburant haute pression à 4 broches – N/P 19370428

4L et T56 avec capteur de carburant haute pression à 3 broches – N/P 19370326

8 vitesses avec capteur de carburant haute pression à 3 broches – N/P 19370328

Feuille d'instructions N/P 19370424

Nous vous remercions d'avoir choisi Chevrolet Performance comme source de haute performance. Chevrolet Performance s'est engagée à offrir une technologie de rendement éprouvée et novatrice qui est réellement... beaucoup plus que de la puissance. Les pièces de Chevrolet Performance Parts ont été conçues, élaborées et mises à l'essai de manière à dépasser vos attentes de réglage précis et de fonction. Veuillez vous reporter à notre catalogue pour connaître le centre Chevrolet Performance autorisé le plus près de chez vous ou visitez notre site Web à [www.chevroletperformance.com](http://www.chevroletperformance.com).

Ce système de commande est un ensemble autonome entièrement intégré pour faire fonctionner les moteurs en caisse de série LT4 Chevrolet Performance avec roues à réluctance de vilebrequin 58x, indexation d'arbre à cames 4x et une commande des gaz électronique (ETC). Ce nécessaire de commande du moteur est conçu pour les moteurs V8 de 5e génération uniquement, il n'est pas conçu pour toute autre configuration de moteur antérieure. Cette trousse contient le module de commande du moteur (programmé avec l'étalonnage approprié), le module d'alimentation de pompe à carburant, le faisceau de câblage du moteur, la pédale d'accélérateur, le débitmètre d'air massique, le bossage de montage du débitmètre d'air massique, le capteur de pression de conduite de carburant, des sondes d'oxygène (2) et les bossages de montage des sondes d'oxygène (2). Ce système de commande est conçu pour être utilisé avec un circuit d'alimentation en carburant sans retour et une pompe à carburant capable d'être modulée en durée d'impulsion (PMW) à 25 kHz pour réguler la pression de carburant. Un débit de carburant de 65,6 gal/h à 400 kPa (58 psi) est requis. Parce qu'il s'agit d'un système à débit nul, un détendeur réglé à 580 kPa (84 psi) doit être inclus dans la conduite de carburant entre la pompe de réservoir et la pompe haute pression montée sur le moteur.

Le numéro de pièce 19303293 Chevrolet Performance est un exemple de pompe à carburant compatible, qui inclut un détendeur interne. Si on utilise cette pompe, l'orifice inférieur du module peut être laissé ouvert ou utilisé pour raccorder un système de collecte à distance. Le numéro de pièce 13587174 est une queue de cochon de connexion pour cette pompe et est offert par le concessionnaire de votre région.

Une pompe à trop grande capacité peut entraîner la cavitation à faible débit causée par les arrêts et démarrages répétés de la pompe au lieu d'une régulation à une vitesse/pression. Autrement, un circuit d'alimentation en carburant qui fonctionne à une pression fixe de 500 kPa peut être utilisé et un relais de pompe à carburant peut être déclenché par le fil vert/gris dans la cavité 2 du connecteur de module d'alimentation de pompe à carburant (FPPM). Le fil vert/gris correspond à la commande côté positif 12 V pour un relais de pompe à carburant. Ne pas utiliser ou poser le module d'alimentation de pompe à carburant si cette autre méthode est utilisée. Des codes d'anomalie s'établissent dans l'ECM si le module FPPM n'est pas utilisé, mais le témoin d'anomalie (MIL) ne s'allume pas. Prendre note qu'une surchauffe du carburant et des problèmes possibles de démarrage et de conduite peuvent être causés par une pression élevée constante.

**LES DIFFÉRENTES TROUSSES UTILISENT DIFFÉRENTS FAISCEAUX DE CÂBLES, MÊME SI ELLES ONT LA MÊME APPARENCE. CHAQUE FAISCEAU DE CÂBLES EST UNIQUE À UN MOTEUR D'UNE ANNÉE DE FABRICATION. CONSULTER LE CONCESSIONNAIRE SI VOUS AVEZ DES QUESTIONS.**

**IMPORTANT :** Lire la section « Système – À FAIRE et À ÉVITER » ci-dessous avant d'essayer de poser le moteur, puis passer en revue à nouveau avant d'essayer de démarrer le véhicule. Si le moteur demeure au ralenti après la pose du système de commande, rechercher un témoin d'anomalie allumé (situé dans le centre de fusibles/relais, parfois nommé « témoin d'anomalie du moteur » ou témoin de « rappel d'entretien du moteur ») indiquant la présence de codes d'anomalie mémorisés. Si le témoin d'anomalie (MIL) est allumé, rechercher des codes et effectuer toute réparation nécessaire (il s'agit généralement d'un problème de connecteur ou de câblage), consulter un manuel d'entretien, au besoin (Cadillac CTS-V 2016).

Observer toutes les précautions et tous les avertissements en matière de sécurité présentés dans le Manuel d'entretien au moment d'installer ce groupe dans n'importe quel véhicule. Porter un protecteur pour la vue et des vêtements de protection appropriés. Soutenir fermement le véhicule avec des chandelles au moment de travailler sous le véhicule ou autour de celui-ci. Utiliser seulement les outils appropriés. Faire preuve d'extrême prudence lors de travaux avec des liquides ou des matériaux inflammables, corrosifs ou dangereux. Certaines procédures nécessitent l'utilisation d'un équipement spécial et des habiletés particulières. Si vous ne possédez pas la formation, l'expertise et les outils nécessaires pour effectuer toute partie de cette conversion en toute sécurité, ce travail devrait être réalisé par un professionnel.

**Système – À FAIRE et À ÉVITER :****À faire :**

- S'assurer d'effectuer tous les branchements secondaires prévus du moteur/véhicule avant de brancher l'alimentation de l'allumage ou de la batterie au système.
- S'assurer que le faisceau de câbles est fixé selon les recommandations et que l'acheminement ne passe pas à des endroits risquant d'endommager le câblage (p. ex., arêtes vives, points de pincement, composants tournants, composants d'échappement, etc). S'assurer que tous les connecteurs et tous les câbles inutilisés sont bien fixés et protégés (scellés ou couverts de ruban adhésif, au besoin, pour éviter tout court-circuit).
- S'assurer que toutes les masses du moteur et du faisceau de câbles sont propres et bien fixées. Il est recommandé d'utiliser une tresse de masse d'au moins 3/4 de pouce depuis le moteur au châssis du véhicule.
- S'assurer que le débitmètre d'air massique est orienté de façon appropriée dans l'admission (celui-ci ne pourra fonctionner que s'il est posé dans le sens approprié). Une flèche située sur le capteur indique le sens exact du débit. Vérifier l'orientation du débitmètre avant de souder le bossage de montage, puisque le débitmètre ne se monte que d'une seule façon dans le bossage.
- S'assurer que le débitmètre d'air massique (MAF) est monté au centre d'une longueur minimale de 6 po d'un tube de 4 po de diamètre, et qu'il se trouve à au moins 10 po du corps de papillon.
- S'assurer que la pompe à carburant possède la capacité d'écoulement suivante : au moins 65,6 gal/h à 400 kPa (58 psi).
- S'assurer que la tension de la batterie est branchée avec un fil d'un calibre minimal de 8 à l'un des plots du boîtier à fusibles.
- S'assurer que les dégagements de la pédale d'accélérateur respectent les directives ci-dessous.
- S'assurer que le capteur de pression de conduite de carburant est posé correctement.
- S'assurer que le module d'alimentation de pompe à carburant est posé correctement.
- Une fois le moteur réchauffé. Des changements progressifs de 10 psi ou plus de pression d'huile peuvent être observés. Il s'agit d'une condition de fonctionnement normale. Ne pas déposer le capteur de pression d'huile. L'entrée de capteur est nécessaire pour un bon fonctionnement du moteur.

**À éviter :**

- Changer ou modifier n'importe quel câblage dans le système de la pédale d'accélérateur ou du système du papillon électronique.
- Effectuer une référence de dépression sur le circuit d'alimentation en carburant.
- Souder ou modifier le câblage de sonde d'oxygène.

**Exigences relatives au véhicule****Entrée de vitesse du véhicule**

L'ECM est programmé pour rechercher 40 impulsions par révolution, ce qui est normal pour les boîtes de vitesses automatique. Le faisceau de câbles du système de commande LT4 est conçu pour se brancher sur le capteur de vitesse de sortie des boîtes de vitesses automatiques 4LXX ou de la boîtes de vitesses manuelle Super Magnum T56, qui comportent une sortie à 40 impulsions par tour. Le VSS DOIT être branché dans l'ECM. Si l'ECM ne voit pas le VSS, l'accélérateur est limité à 30 % pour protéger le moteur contre la surrégime. Pour les boîtes de vitesses automatiques à huit rapports, l'information du capteur de vitesse du véhicule est fournie au contrôleur de boîte de vitesses sur les lignes CAN. Le connecteur du capteur de vitesse du véhicule n'est pas utilisé.

**Exigences relatives au rapport de pont et à la dimension des pneus**

Le rapport de pont est réglé à 3.42:1 lors de l'étalonnage et convient à des rapports allant de 3.08 à 4.11. Le diamètre des pneus doit se situer entre 26 po et 30 po. **REMARQUE : pour un rendement optimal, choisir un rapport de pont et une dimension de pneu conformes à la plage recommandée.**

**REMARQUE :**

Tous les moteurs sont expédiés avec un volant moteur de boîte de vitesses manuelle et n'incluent pas de démarreur. Pour les applications à boîte de vitesses automatique, la tôle d'entraînement et le convertisseur de couple doivent être achetés séparément. Se reporter à [www.chevroletperformance.com](http://www.chevroletperformance.com) pour voir les embrayages et les volants moteurs Chevrolet Performance recommandés.

**Consulter également le catalogue de composants CHEVROLET PERFORMANCE ou le site [chevroletperformance.com](http://chevroletperformance.com) pour prendre connaissance du démarreur, plateau flexible et convertisseur de couple recommandés.**

**REMARQUE :** les pièces de la présente liste peuvent avoir été mises à jour ou remplacées. Pour la dernière liste des numéros de pièces, visiter le site [gmperformanceparts.com](http://gmperformanceparts.com).

**Liste de pièces :**

- 19370428 - Trousse de contrôleur LT4 pour boîte de vitesses 4L et T56 avec capteur de carburant haute pression à 4 broches
- 19370326 - Trousse de contrôleur LT4 pour boîte de vitesses 4L et T56 avec capteur de carburant haute pression à 3 broches
- 19370328 - Trousse de commande LT4 pour boîte de vitesses à 8 rapports avec capteur de carburant haute pression à 3 broches



Toutes les trousse de commande de moteur comprennent les pièces suivantes :

- 19370424 Feuille d'instructions
- 19331509 Faisceau de câbles de moteur pour capteur de carburant haute pression à 4 broches, qté 1  
ou
- 19356491 Faisceau de câbles de moteur pour capteur de carburant haute pression à 3 broches, qté 1
- 23262344 Débitmètre d'air massique, qté 1
- 19166574 Support de débitmètre d'air massique, qté 1
- 10379038 D'accélérateur pédale, Qty 1
- 12656577 Sonde d'oxygène, qté 2
- 15156588 Bossage de montage de sonde d'oxygène, qté 2
- 19300176 Boulon/vis, qté 2
- 19300177 Rondelle, qté 2
- 13579380 Capteur de pression de conduite de carburant, qté 1
- 23382215 Module d'alimentation de pompe à carburant, qté 1
- 11588564 Boulon (M8x1.25x25), qté 2
- 11562004 Boulon (M10x1.52x30), qté 2
- 22942442 Emblème, qté 1
- Module de commande du moteur, qté 1
  - 19370427 - Capteur de carburant haute pression à 4 broches pour 4L et T56
  - ou
  - 19370327 - Capteur de carburant haute pression à 3 broches pour 4L et T56
  - ou
  - 19370329 - Capteur de carburant haute pression à 3 broches pour boîte de vitesses à 8 rapports

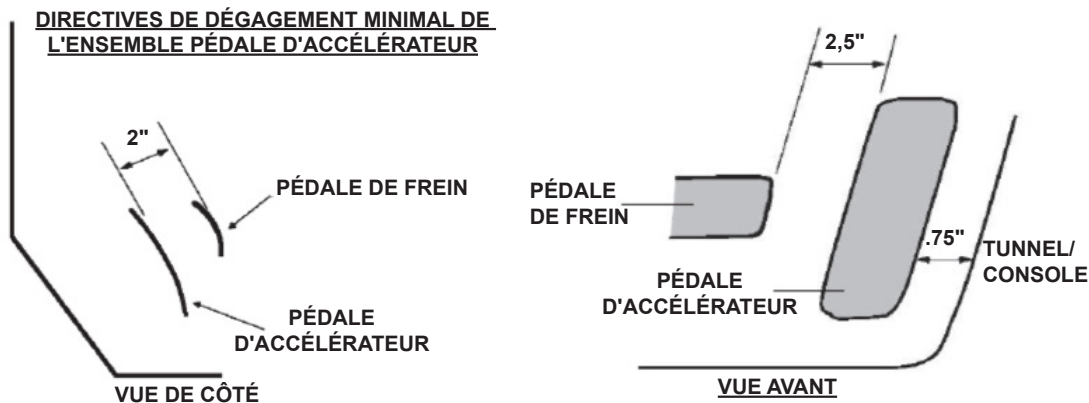
### **Directives d'installation :**

#### **ECM**

Le module de commande du moteur (ECM) est hermétique et peut être monté sous le capot. Il faut toutefois éviter les emplacements extrêmement chauds (échappement, etc.) ou les endroits sujets aux éclaboussures. Il n'est pas recommandé de monter l'ECM directement sur le moteur.

#### **Pédale d'accélérateur**

Monter la pédale d'accélérateur selon les directives dimensionnelles suivantes ; les détails du montage sont spécifiques à l'application et l'utilisateur doit en assumer la responsabilité. S'assurer que la pédale est montée solidement sur le véhicule. Il faut poser un passe-fil dans tous les trous de tôle par lequel le faisceau de câbles est acheminé, afin d'éviter tout dommage au câblage.



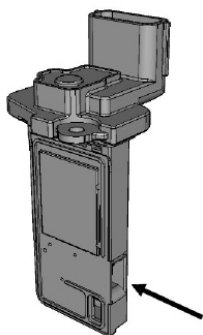
### Débitmètre d'air massique (MAF)

**REMARQUE :** Il est essentiel que le débitmètre d'air massique soit monté selon les instructions ci-dessous. Si le montage n'est pas effectué selon les recommandations, cela peut avoir une incidence sur le rendement ou le comportement du véhicule.

Le débitmètre d'air massique doit être posé dans le système d'admission au moyen du bossage de montage de débitmètre d'air massique fourni. Le système d'admission doit être de 4 po de diamètre et comporter une section droite d'une longueur d'au moins 6 po. Monter le débitmètre d'air massique au centre de la section d'admission droite, en s'assurant que le centre du bossage de montage est situé à au moins 10 po du corps de papillon.

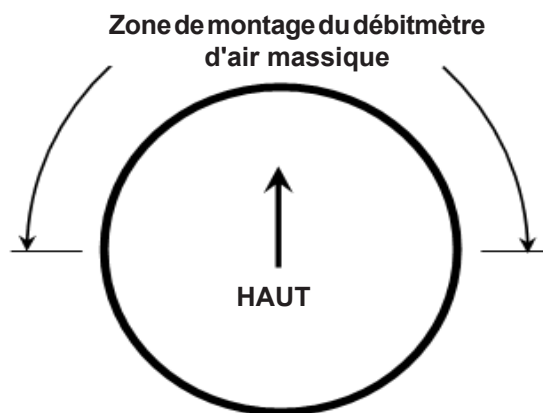
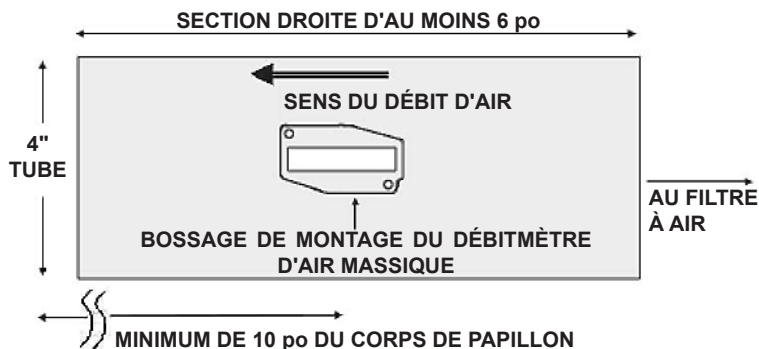
Le débitmètre d'air massique doit être orienté correctement dans le système d'admission – prendre note que la flèche sur le capteur indique le sens du débit. S'assurer de souder le bossage de montage de façon appropriée – le débitmètre ne se monte que d'une seule façon dans le bossage (se reporter au schéma).

**IL POURRAIT N'Y AVOIR AUCUNE FLÈCHE DE DIRECTION DE DÉBIT SUR LE DESSUS DU MAF.  
L'ORIENTATION APPROPRIÉE DU MAF EST INDIQUÉ CI-DESSOUS :**



Souder le bossage en place avant de poser le débitmètre. Une fois posé dans le véhicule, le débitmètre d'air massique devrait être monté de manière à ce que l'extrémité comportant le connecteur soit orientée entre l'horizontale et la verticale – ne pas orienter le connecteur vers le bas.

#### **DIRECTIVES DE MONTAGE DU DÉBITMÈTRE D'AIR MASSIQUE**



**Filtre à air :** Il est recommandé d'utiliser un élément de filtre à air sec. La trousse d'admission d'air universelle Chevrolet Performance, N/P 19301246, peut être utilisée et satisfait toutes les exigences ci-dessus.

**REMARQUE :** Le ravitaillement en carburant ne peut pas être garanti si un élément de filtre à air huilé est utilisé.

#### Sondes d'oxygène

**REMARQUE :** Il est essentiel que les sondes d'oxygène soient montées selon les instructions ci-dessous. Le système d'échappement DOIT être étanchéisé de façon appropriée ; toute fuite près des sondes (en aval ou en amont) peut entraîner le mauvais fonctionnement du circuit d'alimentation. Si les sondes ne sont pas montées tel que recommandé ou s'il y a une fuite du système d'échappement, cela peut avoir une incidence sur le rendement ou le comportement du véhicule. Effectuer un essai d'étanchéité du système d'échappement pour s'assurer que l'étanchéité est adéquate (mêmes des fuites mineures peuvent avoir une incidence sur la régulation du carburant).

**Les sondes d'oxygène** doivent être montées dans la zone « collecteur » de la tubulure d'échappement ou des collecteurs dans un endroit qui permet d'échantillonner également les gaz d'échappement de tous les cylindres (les collecteurs d'échappement de série comportent un bossage de montage pour les sondes d'oxygène). S'assurer d'acheminer le câblage et les connecteurs à l'écart des zones de chaleur élevée. Les sondes d'oxygène doivent être montées de façon à ce que leur extrémité pointe entre l'horizontale et entièrement vers le bas – ne pas monter les sondes en orientant leur extrémité vers le haut. Si des collecteurs sont utilisés, souder dans les bossages de montage fournis (trou de 7/8 po).

**Tubulures d'échappement :** Il est recommandé d'utiliser les tubulures d'échappement fournies ou des tubulures similaires de type pour moteur de 5e génération.

### **Système de recyclage des gaz de carter (RGC)**

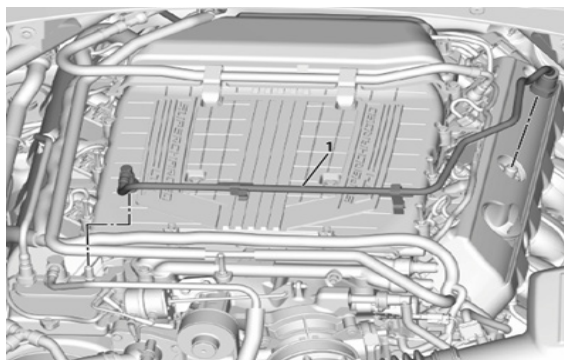
#### **Comment configurer votre système de recyclage des gaz du carter :**

un système de recyclage des gaz du carter est utilisé en vue d'optimiser le balayage des gaz du carter. L'air filtré provenant du conduit de système d'admission d'air est fourni au carter de moteur, mélangé avec les vapeurs perdues et passe à travers un appareil de mesure de ventilation du carter de moteur avant d'entrer dans le compresseur de suralimentation. Le composant principal du système de recyclage des gaz du carter (RGC) est le dispositif de mesure de débit de RGC (valve ou orifice). Les changements de dépression à l'intérieur du compresseur de suralimentation se traduisent par des variations de débit des vapeurs imbrûlées. Si des conditions anormales de fonctionnement sont réunies, la conception du système de RGC permet à des quantités excessives de vapeurs perdues d'aller à contre-courant par le tube de ventilation du carter de vilebrequin vers le système d'admission d'air du moteur afin d'y être consommées au cours de la combustion normale. Cette conception de système de ventilation du moteur minimise la consommation d'huile et réduit de manière importante les possibilités d'ingestion d'huile pendant l'exécution de manoeuvres limites de tenue de route du véhicule.

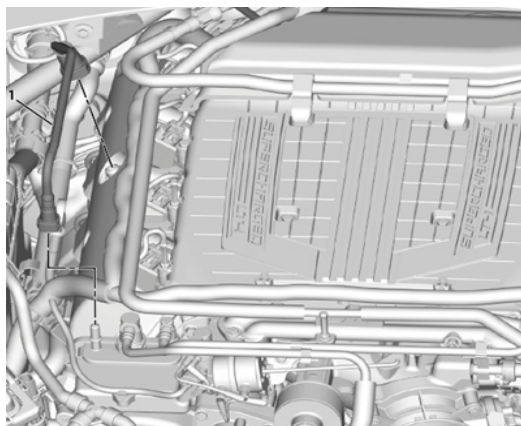
Le moteur LT4 fait appel à un système intégré de recyclage des gaz du carter, lequel est intégré dans l'ensemble tubulure d'huile de poussoir de soupape sous l'ensemble compresseur de suralimentation. L'ensemble tubulure d'huile de poussoir de soupape comprend les chicanes composites de séparation d'huile et la tuyauterie de RGC. L'air frais filtré est acheminé depuis l'amont du papillon d'accélérateur vers le réservoir d'huile du moteur où il se mélange avec les gaz du carter et est redirigé vers les deux cache-culbuteurs du moteur. Les chicanes des cache-culbuteurs séparent l'huile pulvérisée sur les culbuteurs, réduisant l'éventualité que l'huile ne soit aspirée dans le réservoir d'huile lors du refoulement du système de recyclage. Cependant, si l'huile vient à être aspirée dans le réservoir, elle est refoulée vers le carter d'huile, ce qui réduit encore la consommation d'huile. Les vapeurs imbrûlées sont acheminées depuis l'ensemble tubulure d'huile de poussoir de soupape à travers un orifice fixe (7,5 mm) à l'intérieur d'un tube de RGC en acier, puis dans la partie inférieure du compresseur de suralimentation à proximité de l'avant de l'ensemble tubulure d'huile de poussoir de soupape. Pour que le système de RGC fonctionne correctement, un tubage de 8 mm de diamètre intérieur doit être raccordé entre chaque cache-culbuteurs et le séparateur d'huile. L'orifice central du séparateur d'huile doit être raccordé à l'entrée d'air frais, entre le débitmètre d'air massique et le papillon des gaz.

#### **Pour moteurs LT4 à carter humide :**

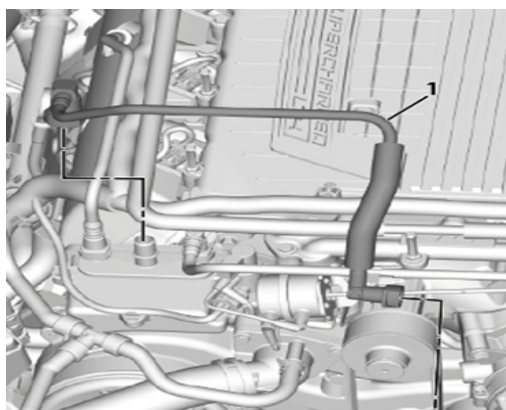
Le tube de RGC 12668976 (article 1 ci-dessous), nécessaire au bon fonctionnement de la partie gauche du système de RGC, peut être acheté chez votre concessionnaire Chevy local.



Le tube de RGC 12644356 (article 1 ci-dessous), nécessaire au bon fonctionnement de la partie droite du système de RGC, peut être acheté chez votre concessionnaire Chevy local.



Le flexible de RGC 12687313, équipé des raccords rapides nécessaires pour raccorder le séparateur d'huile au système d'admission, peut également être acheté chez votre concessionnaire Chevy.



**Source de dépression pour le servofrein :**

il est nécessaire d'acheter une pompe à dépression auxiliaire si un servofrein à dépression est prévu. Différentes configurations de pompes à dépression électriques sont disponibles chez votre concessionnaire local. Veuillez vous reporter à la Corvette LT1 et la Corvette LT4 ainsi qu'à la Cadillac CTS-V LT4. Le moteur LT4 n'est pas en mesure de délivrer la dépression adéquate pour assurer l'efficacité du servofrein à dépression dans toutes les conditions d'utilisation.

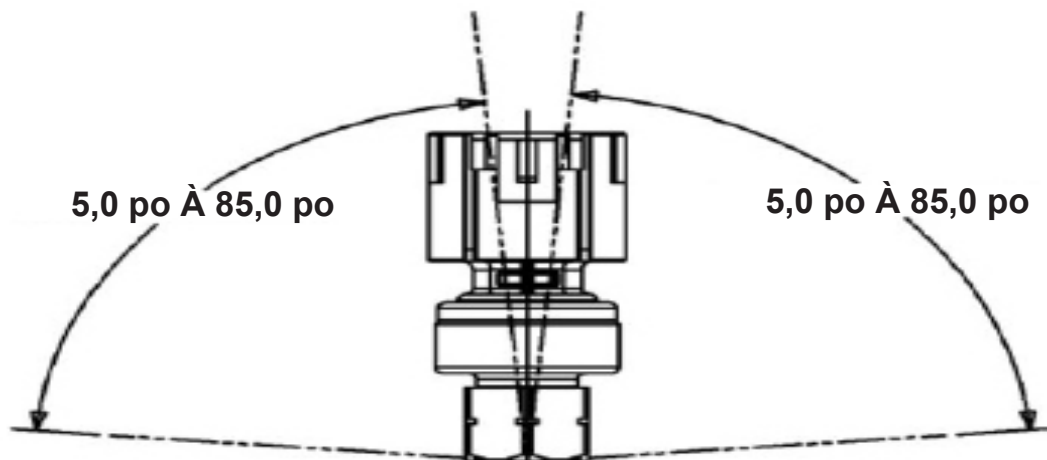
**Capteur de pression d'huile :**

Le capteur de pression d'huile inclus avec le moteur ne doit pas être retiré ou modifié. Il est nécessaire pour assurer la régulation appropriée de la pompe à huile et du déphaseur d'arbres à cames.



### Capteur de pression de conduite de carburant

Ce capteur est nécessaire au fonctionnement du module d'alimentation de pompe à carburant. Le capteur de pression de conduite de carburant doit être posé aussi loin que possible du moteur dans la conduite d'alimentation de carburant. Cela permet d'amortir toute pointe de pression de carburant générée par la pompe à carburant haute pression montée sur le moteur. Ne pas utiliser un outil à percussion pour poser le capteur. Serrer à 15 Nm +/- 5 Nm. Le capteur doit être monté sur un orifice M10x1,0 avec un joint torique étanche au carburant. Le capteur de pression de conduite de carburant doit être monté comme illustré :



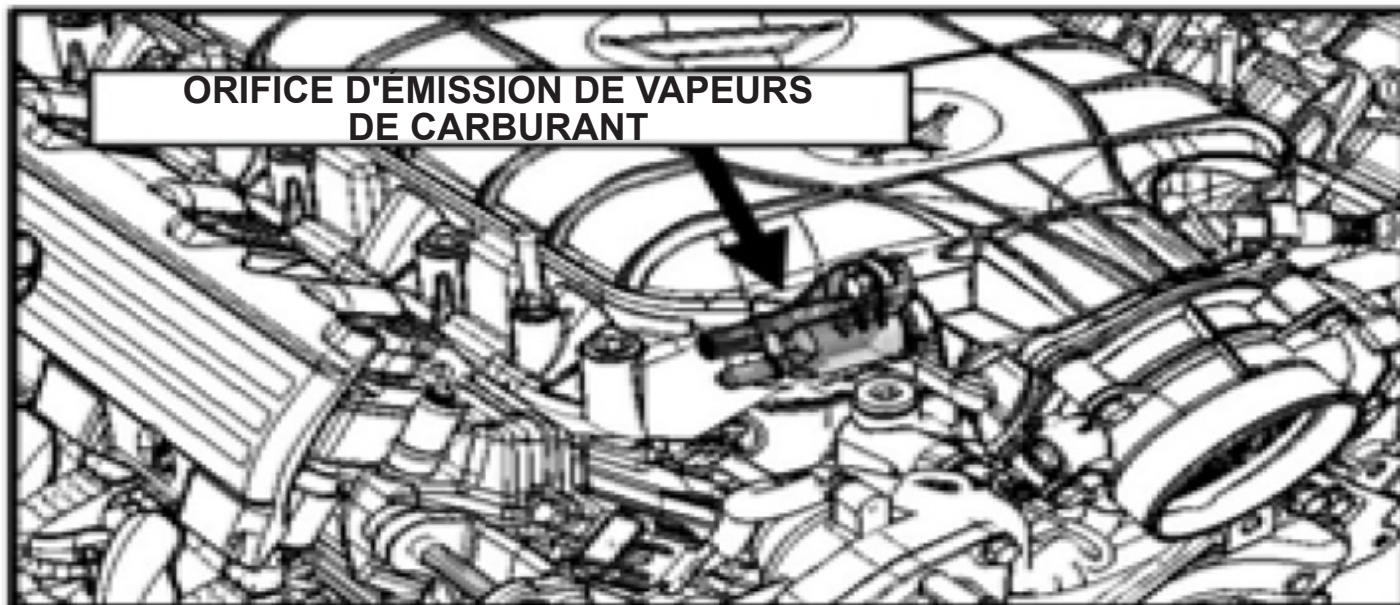
**ORIENTATION DE MONTAGE PERMISE DANS TOUTE  
DIRECTION RELATIVE À LA POSITION VERTICALE**

### Module d'alimentation de pompe à carburant

Le module d'alimentation de pompe à carburant doit être monté aussi près que possible de la pompe à carburant et il faut maintenir torsadés les câbles d'alimentation de la pompe à carburant. En cas de nécessité de longueur additionnelle, maintenir une torsade de 27 tours par mètre (8 tours par pied) pour assurer une protection adéquate contre les interférences électromagnétiques avec le reste du véhicule (c'est-à-dire la radio ou d'autres modules de commande). Le module d'alimentation de pompe à carburant est entièrement étanche et peut être monté dans n'importe quelle orientation en respectant les meilleures pratiques (c'est-à-dire garder à l'écart des sources de chaleur, maintenir le dégagement adéquat par rapport aux organes mobiles, maintenir une garde au sol adéquate, connecteur orienté vers le bas pour empêcher les infiltrations d'eau, etc.).

### Soupape d'émission de vapeurs de carburant

Le système d'émission de vapeurs de carburant peut être utilisé avec la trousse de commande de moteur Chevrolet Performance, mais elle n'est pas nécessaire pour le bon fonctionnement du moteur. L'orifice doit être bouché ou raccordé à l'absorbeur de vapeurs.



### Faisceau de câbles du moteur

La description ci-dessous énumère les connexions sur le moteur et sur le côté du véhicule. Les circuits optionnels sont décrits à la section « Connexions optionnelles » ci-dessous. **REMARQUE : Un témoin d'anomalie (parfois appelé témoin de « rappel d'entretien du moteur ») est monté à l'intérieur du centre de fusibles/relais. Une sortie de témoin d'anomalie redondante est également présente dans le faisceau de câbles près du connecteur de module de pédale. Il est conseillé d'installer également un témoin d'anomalie dans un endroit bien visible dans l'habitacle. Le circuit doit être alimenté par un voyant à faible courant de 12 V et une tension d'allumage de 12 V. La sortie du témoin d'anomalie de l'ECM fournit la masse au circuit.**

#### **Connexions requises pour un fonctionnement approprié**

- Capteur de vitesse du véhicule – connecteur à 2 broches non utilisé pour les applications à boîte de vitesses à 8 rapports
- Débitmètre d'air massique – connecteur à 8 broches
- Commande électronique du papillon des gaz – connecteur à 5 broches
- Capteur de pression absolue de la tubulure d'admission (MAP) – connecteur à 3 broches
- Sondes d'oxygène (2 au total) – connecteurs 4 broches
- Capteurs de détonations (2 au total) – connecteurs à 2 broches
- Bobines d'allumage (8 au total) – connecteurs à 4 broches
- Capteur de position du vilebrequin – connecteur à 3 broches
- Capteur de pédale d'accélérateur – connecteur à 6 broches
- Entrée du commutateur d'allumage – 1 fil
- Commande de pompe à carburant – 2 fils
- Bouclier et commande de modulation d'impulsions en durée de pompe à carburant - 3 fils
- Alimentation de la batterie (plot au centre du fusibles/relais)
- Commande de ventilateur de refroidissement – 2 fils
- Injecteurs pairs et pompe à carburant haute pression – connecteur à 12 broches
- Injecteurs impairs et pression de rampe commune – connecteur à 12 broches
- Température de liquide de refroidissement et pression d'huile – connecteur à 10 broches, pièce de LOMA
- Pompe à huile à double étage, position d'arbres à cames et déphaseur d'arbres à cames – connecteur à 8 broches
- Alternateur – connecteur à 2 broches
- ECM (3 au total) – connecteurs à 73 broches
- Pression de conduite de carburant – connecteur à 3 broches pour
- Module d'alimentation de pompe à carburant (FPPM) – connecteur à 16 broches

**Connexions optionnelles (non requises pour le fonctionnement)**

Sorties facultatives pour l'utilisateur dans la cloison – connecteur à 12 broches (12 voies) Requis pour les systèmes de commande de boîte de vitesses Supermatic Chevrolet Performance

Témoin de défaillance (MIL) – 1 fil

Liaison de diagnostic de chaîne de montage (ALDL) – connecteur à 16 broches

Contacteur d'embrayage de haut de course/contacteur de frein – 2 fils

Électrovalve de régénération – connecteur 2 broches

**Connexions**

Brancher tous les connecteurs sur le moteur/côté du véhicule avant de brancher le faisceau de câbles à l'ECM. Tous les connecteurs sur le moteur/côté du véhicule portent une étiquette de leur fonction. Consulter un manuel de réparation, au besoin, pour déterminer l'emplacement des connexions (se reporter à l'information figurant dans le manuel de réparation ci-dessous).

**Remarque : il peut être plus facile de poser le faisceau de câbles sur le moteur avant de poser le moteur dans le véhicule.**

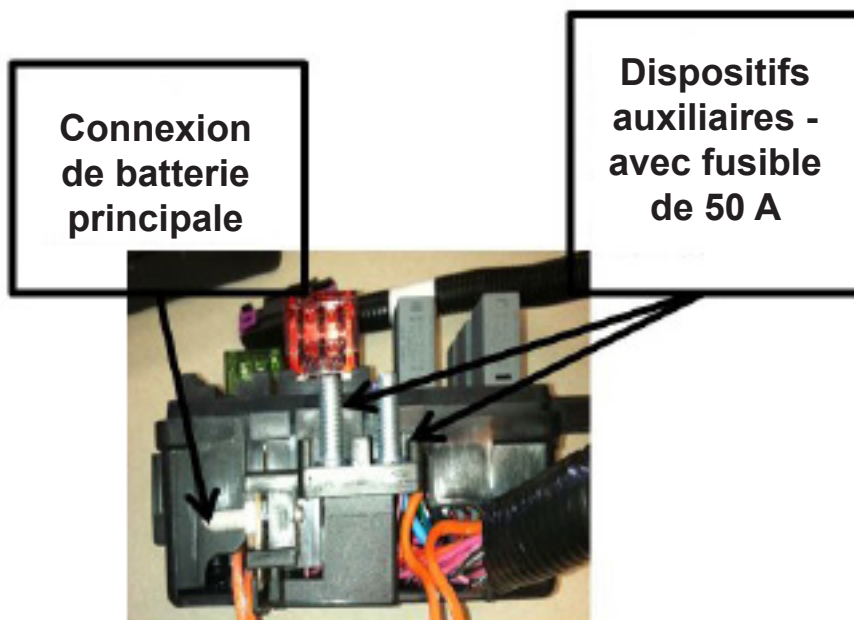
Le faisceau de câblage comporte un centre de fusibles/relais comprenant tous les fusibles et relais nécessaires, ainsi qu'un connecteur de cloison à 12 voies (avec connecteur d'accouplement étanche) qui comprend des sorties pouvant être utiles à l'utilisateur (se reporter à la section « Sorties de connecteur de cloison » ci-dessous). Le centre de fusibles/relais doit être monté aussi haut que possible dans le compartiment moteur afin d'éviter toute éclaboussure et tout débris de la route inutiles. Tenir également le connecteur de cloison 12 voies et le connecteur de diagnostic (ces deux connecteurs sont connectés depuis le centre de fusibles/relais) aussi haut et bien protégés que possible.

Les 3 connecteurs de l'ECM sont indexés pour qu'ils ne se branchent qu'aux emplacements appropriés. Poser le connecteur en pressant fermement vers le bas jusqu'à ce qu'il soit bien assis, ensuite tirer la barre coulissante supérieure vers le bas jusqu'à ce que vous entendiez un claquement et qu'elle se verrouille en place. La barre devrait se mettre en place facilement et ne devrait pas bouger si le connecteur est assis correctement, ne pas appliquer une force excessive.

Fixer les œillets de masse du faisceau (5 au total) au bloc-moteur à l'aide des 4 boulons fournis, en s'assurant que les connexions sont propres et bien fixées, fixer ensuite les fils de la pompe à carburant provenant du FPPM à l'alimentation et à la masse de la pompe. Deux œillets de masse doivent être attachés sous une vis à l'arrière de la culasse.

Pour les applications à boîte de vitesses manuelle, deux paires de fils à raccorder au contacteur de fin de course supérieure d'embrayage sont fournis. Il ne faut pas confondre ce contacteur avec le contacteur de fin de course inférieure d'embrayage ou le contacteur d'embrayage de sûreté de point mort, qui préviennent l'engagement de démarreur lorsque la pédale d'embrayage n'est pas entièrement enfoncée. Le contacteur de fin de course supérieure d'embrayage est utilisé pour désactiver brièvement le carburant lorsque la pédale d'embrayage est enfoncée, ce qui aide la décélération du moteur et facilite le passage à vitesses supérieures. Un contacteur d'embrayage compatible est doté de deux broches qui créent un circuit fermé lorsque la pédale d'embrayage est entièrement relâchée et un circuit ouvert dès que la pédale d'embrayage est partiellement enfoncée.

**S'assurer que tous les raccords latéraux du moteur et du véhicule choisis ont été raccordés avant de procéder au branchement de l'alimentation.**



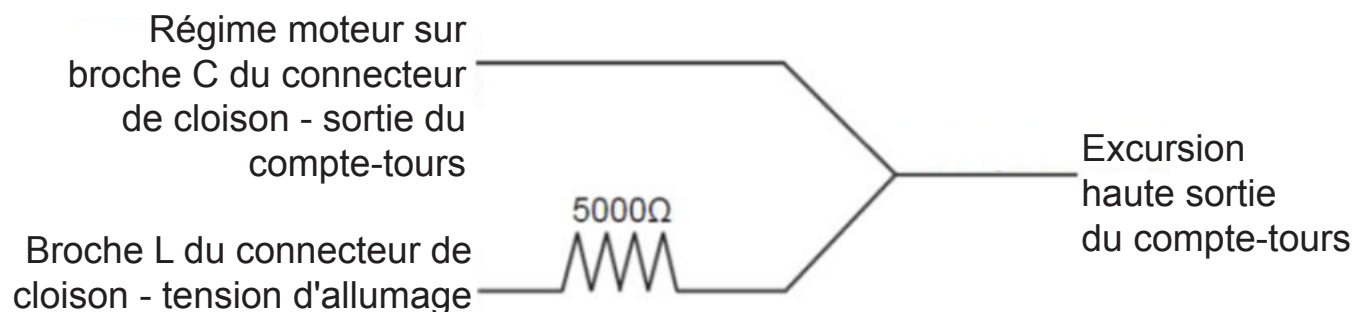
Attacher une charge d'alimentation à fusible d'allumage de 12 volts du véhicule au fil du commutateur d'allumage rose (PK) dans le faisceau de câbles (cela est nécessaire pour l'activation de la bonne séquence de mise en marche de l'ECM). Cette source d'alimentation 12 V doit être constante pendant le lancement pour s'assurer que le module de commande du moteur demeure alimenté pendant le lancement du moteur. Ce fil peut être acheminé par le compartiment passager avec le connecteur de pédale d'accélérateur et le connecteur de lien diagnostic. Ensuite, brancher l'alimentation de la batterie (fil d'un diamètre minimal de 8) au goujon horizontal sur le centre du relais du fusible. Les deux autres goujons sont destinés aux accessoires et protégés par fusible de 50A, et l'installation du faisceau est ensuite terminée.

Des caractéristiques supplémentaires et des descriptions de connecteurs de cloison sont également incluses ci-dessous :

#### Caractéristiques du système

- Le centre de fusible/relais contient tous les fusibles et les relais requis pour le bon fonctionnement du moteur. Des ouvertures pour fusibles et relais de rechange sont prévues pour une utilisation ultérieure.
- Le centre de fusible/relais comprend un témoin de défaillance (MIL), lequel s'allumera si un code d'anomalie du moteur s'établit. Se rendre chez un concessionnaire Chevrolet Performance pour faire récupérer ce code à partir du connecteur de diagnostic dans le centre de relais à fusible. Il est également possible de récupérer des codes avec un analyseur-contrôleur du marché secondaire capable de lire cette configuration. Prendre note que le témoin d'anomalie s'allume lorsque la clef du véhicule est en position de marche ; il s'éteint lorsque le moteur est démarré s'il n'y a pas de codes d'anomalie établis. Un fil redondant de témoin d'anomalie est inclus dans le faisceau de câbles de façon à permettre la pose d'une lampe à l'intérieur de l'habitacle. Le fil est situé dans la botte de fil près du connecteur de la pédale et de la tension d'allumage.
- L'ECM commande deux ventilateurs de refroidissement. La commande est réglée pour activer le premier ventilateur 12 V à une température de liquide de refroidissement de 97 degrés C (207 degrés F) et le deuxième ventilateur à 105 degrés C (221 degrés F). Les fils de commande de ventilateur sont protégés par fusible/relais et peuvent être raccordés directement aux ventilateurs.
- La pompe à carburant est commandée par le FPPM. Les fils de commande fournissent une modulation de durée d'impulsion (PWM) de 12 V et doivent être connectés directement à la pompe à carburant.
- Le fil gris de la pompe à carburant est la commande de la pompe à carburant, ou le fil positif. Le fil jaune avec la bande noire est le fil de masse ou de référence. Le fil noir mince uni est pour la protection et doit être fixé à l'axe de protection de la pompe à carburant. S'il n'y a pas d'axe de protection, laisser ce fil sans terminaison (coupé non dénudé) et le fixer au faisceau de câbles avec du ruban adhésif. La pompe Chevrolet Performance numéro de pièce 19303293 n'a PAS d'axe de protection.
- Le connecteur de cloison porte un signal de tachymètre (voir ci-dessous). Il s'agit d'une sortie à 4 impulsions/tour qui peut correspondre à une configuration de 8 cylindres dans certains compte-tours ou contrôleurs de boîte de vitesses. Noter que le signal est une onde carrée de basse tension. Certains contrôleurs de compte-tours ou de transmission pourraient nécessiter une résistance de polarisation à l'alimentation afin de lire le signal, qui est similaire à une résistance active de 5 000 ohms, ¼ watt – ce détail est laissé à la discrétion de l'utilisateur. Le circuit suivant a fonctionné pour plusieurs appareils – la valeur de résistance pourrait avoir besoin d'être changée si votre appareil ne lit pas cette sortie correctement.

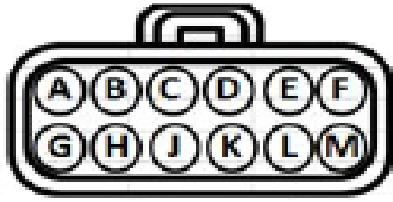




**REMARQUE :** lorsqu'il est branché au faisceau de câbles du système « Connect and cruise » Supermatic de CHEVROLET PERFORMANCE, le contrôleur de boîte de vitesses ne requiert aucune résistance à excursion haute.

- Une sortie de vitesse du véhicule est comprise dans le connecteur de cloison en vue d'être utilisée avec les indicateurs de vitesse à mise à l'échelle automatique. Le connecteur du capteur de vitesse du véhicule (VSS) dans le faisceau de câbles doit être attaché à un capteur de vitesse de type à réluctance variable (caractéristique sur la plupart des boîtes de vitesses automatiques des anciens modèles de GM) pour que cela fonctionne.

### Sorties de connecteur de cloison

Connecteur de cloison			Connecteur homologue	
 <p>Vue de chargement ou vue arrière</p>			Connecteur 15326849	Connecteur 15326854
			Borne femelle 12191818	Borne mâle 15326269
			Joint 15366021	Joint 15366021
			Bouchon 15305171	Bouchon 15305171
			TPA 15430903	TPA 15430903
			CPA 15317832	
N° de circuit	Position	Calibre pour fils	Couleur	Description
2501B	A	0.5	Blanc (WH)	GMLAN basse vitesse (-)
-	B	-	Bouchon	Vide
C_121	C	0.75	Blanc (WH)	Vitesse du moteur
C_818	D	0.75	Brun (BN)	Vitesse du véhicule – extérieur
-	E	-	Bouchon	Vide
-	F	-	Bouchon	Vide
2500B	G	0.5	Bleu clair (LG-BU)	GMLAN basse vitesse (+)
331B	H	0.5	Jaune/brun (Y/BR)	Signal de pression d'huile
-	J	-	Bouchon	Vide
C_IGN	K	1.0	Orange (OR)	Fusible d'alimentation de la batterie
C_IGN	L	0.75	Rose (PK)	Alimentation d'allumage « sous tension »
C_50E	M	1.0	Noir (BK)	Masse

Sortie du connecteur de cloison - Les bornes pour le connecteur homologue inclus peuvent être acquises chez un concessionnaire GM dans la trousse d'entretien de borne Delphi. Les bornes portent le numéro de pièce GM 19167018 et les joints de fils portent le numéro de pièce Delphi 15366021 (joint blanc). Dans de nombreux concessionnaires, ces pièces se trouvent au département des pièces.

- Liaison de données GMLAN (BLANC [+], BLEU CLAIR [-]) – Celle-ci fournit les messages de communication GMLAN contenant les paramètres de fonctionnement du moteur pour une utilisation potentielle dans les modules complémentaires futurs – toute intégration actuelle de ceux-ci est laissée à la discrétion de l'utilisateur. Il peut intégrer un écran de lecture de tableau de bord LAN ou électronique.
- Signal de compte-tours (BLANC) – Il s'agit d'une sortie à 4 impulsions par rotation (voir les caractéristiques ci-dessus).
- Vitesse du véhicule (BRUN) – Il s'agit d'une sortie non mise à l'échelle pour une utilisation avec les indicateurs de vitesse à mise à l'échelle automatique qui ne fonctionnera pas si un VSS est branché à l'ECM par l'entremise du fil de VSS dans le faisceau de câbles.
- Capteur de pression d'huile (rayé JAUNE/BRUN) – Il s'agit de la sortie du capteur de pression d'huile qui peut être utilisée pour la surveillance (pression (pression manométrique en livres par pouce carré) =  $[32 * \text{tension du capteur}] - 16$ ). Utiliser le câble de masse dans le connecteur de cloison à titre de référence basse tension (masse).
- Alimentation de 12 volts protégée par fusible de 10 A (ORANGE) – Il s'agit d'une alimentation de puissance de sortie qui est toujours activée.
- Alimentation d'allumage de 12 volts protégée par fusible de 15 A (ROSE) – Il s'agit d'une alimentation de puissance de sortie qui est activée seulement lorsque le contact est mis.
- Masse (NOIR) – Celle-ci est utilisée en tant que tension de basse référence (masse) pour l'achèvement des circuits de sortie de pression d'huile. Elle peut également être utilisée pour les modules branchés aux deux sorties de 12 volts protégées par fusible.

REMARQUE : Si une trousse de système de commande de boîte de vitesses Supermatic de CHEVROLET PERFORMANCE numéro 19302405 ou 19302410 est utilisée, le connecteur de cloison doit être branché dans le faisceau de câbles « Connect and Cruise » Supermatic de CHEVROLET PERFORMANCE.

#### **Procédures de démarrage et de rodage**

Suivre la procédure de démarrage et de rodage qui a été fournie avec les instructions du moteur.

#### **Renseignements sur l'entretien**

Communiquer avec votre concessionnaire Chevrolet Performance pour un entretien ou pour des instructions sur la manière d'obtenir les Manuels d'entretien et les Informations d'entretien.

Annexe :

Consulter le site [www.chevroletperformance.com](http://www.chevroletperformance.com) pour consulter la liste des démarreurs, des embrayages et des volants recommandés pour les applications manuelles et les pièces pour l'entraînement des accessoires.

**Broches de connecteurs d'ECM :**

ECM

Bleu (BU)

Article J1

<u>Cavité</u>	<u>Circuit</u>	<u>Dimension (mm)</u>	<u>Couleur</u>	<u>Description du circuit</u>
2	7446	0,5	LB/WT	Signal du capteur de pression de conduite de carburant
4	3200	0,5	YL/WT	Signal du capteur de pression absolue de la tubulure d'admission du papillon
5	3201	0,5	WT/RD	Référence 5 V du capteur de pression absolue de la tubulure d'admission du papillon
8	7447	0,5	BK/YL	Référence basse tension du capteur de pression de conduite de carburant
14	1164	0,5	WT/RD	Référence 5 V de position de la pédale d'accélérateur (1)
15	1161	0,5	YL/WT	Signal de position de la pédale d'accélérateur (1)
24	7445	0,5	BR/RD	Référence 5 V du capteur de pression de conduite de carburant
30	1271	0,5	BK/LB	Référence basse tension de position de la pédale d'accélérateur (1)
33	1274	0,5	BR/RD	Référence 5 V de position de la pédale d'accélérateur (2)
34	1162	0,5	LG/WT	Signal de position de la pédale d'accélérateur (2)
36	7493A	0,5	LB/BK	Données série GMLAN haute vitesse (+)(3)
37	7494A	0,5	WT	Données série GMLAN haute vitesse -(3)
39	2500	0,5	LB	Données série GMLAN haute vitesse +(1)
40	2501	0,5	WT	Données série GMLAN haute vitesse -(1)
41*	2918	0,5	BU/WH	Capteur de pression de la rampe d'alimentation en carburant
42	C FN2C	0,5	BL/RD	Commande de ventilateur 2
43	C 818	0,75	BN	Sortie de vitesse du véhicule
44	465	0,5	LG/GY	Commande de relais principal de pompe à carburant
46	419	0,5	BR/WT	Commande du témoin de vérification du moteur
51	439A	0,5	VT/LG	Tension d'allumage 1 de marche/démarrage
52	740	0,5	RD/YL	Batterie
53	1272	0,5	BK/VT	Référence basse tension de position de la pédale d'accélérateur (2)
59	2366	0,5	WT/BK	Signal de vitesse du relais de commande de ventilateur de refroidissement
60	5291	0,5	VT/LB	Alimentation protégée par fusible du relais principal de groupe motopropulseur (2)
64	C 20	0,5	YE	Commutateur de fin de course supérieure d'embrayage
67	5292	0,75	VT/LB	Alimentation protégée par fusible du relais principal de groupe motopropulseur (3)
72	5991A	0,5	YL	Commande de bobine de relais de groupe motopropulseur
73	5290B	2,5	VT/LB	Alimentation protégée par fusible du relais principal de groupe motopropulseur (1)

\* Selon le faisceau de câbles



ECM

Noir (BK)

Article J2

<u>Cavité</u>	<u>Circuit</u>	<u>Dimension (mm)</u>	<u>Couleur</u>	<u>Description du circuit</u>
3	2919	0,5	BK/LG	Référence basse tension du capteur de pression de la rampe d'alimentation en carburant
6	C 821	0,5	PP/WH	Capteur de vitesse du véhicule +
7	C 822	0,5	L-GN/BK	Capteur de vitesse du véhicule -
10	3110	0,5	VT/GY	Signal haut de la sonde d'oxygène chauffante, sonde du groupe 1 (1)
11	3210	0,5	VT/WT	Signal haut de la sonde d'oxygène chauffante, sonde du groupe 2 (1)
15	4008	0,5	BR/GY	Signal du capteur d'humidité
16	582	0,5	BR/WT	Fermeture de la commande d'actionneur de papillon
18	2917	0,5	BR/RD	Référence de tension (5) du capteur de rampe d'alimentation en carburant
19*	2918	0,5	LB/WT	Signal du capteur de pression de la rampe d'alimentation en carburant
26	3111	0,5	WT/BK	Signal bas de la sonde d'oxygène chauffante, sonde du groupe 1 (1)
27	3211	0,5	YL/WT	Signal bas de la sonde d'oxygène chauffante, sonde du groupe 2 (1)
32	581	0,5	YL	Ouverture de la commande d'actionneur de papillon
34	2701	0,5	BR/RD	Référence 5 V du capteur de position du papillon
36	496	0,75	VT/GY	Signal du capteur de détonations (1)
37	1876	0,75	WT/GY	Signal du capteur de détonations (2)
41	3113	0,5	GY/WT	Commande basse de la sonde d'oxygène chauffante, sonde du groupe 1 (1)
43	432	0,5	LG/WT	Signal du capteur de pression absolue de la tubulure d'admission
44	2704	0,5	GY/RD	Référence 5 V du capteur de pression absolue de la tubulure d'admission
47	C 121	0,75	WH	Sortie de vitesse du moteur
49	6289	0,5	WT/LB	Signal de la sonde température d'air d'induction
51	428	0,5	LG/LB	Commande de solénoïde de purge d'absorbeurs de vapeurs de gaz d'échappement (EVAP)
52	492	0,5	LG/WT	Signal du débitmètre d'air massique
53	25A	0,5	BR	Commande du témoin de charge
54	2752	0,5	BK/BR	Référence basse tension du capteur de position du papillon
55	23A	0,5	GY	Signal du cycle de service alternateur
56	1716	0,75	BK/YL	Référence basse tension du capteur de détonations (1)
57	2303	0,75	BK/GY	Référence basse tension du capteur de détonations (2)
59	179	0,5	LB	Signal de commande de pompe à huile
61	3212	0,5	LG/YL	Commande basse du réchauffeur de sonde d'oxygène chauffante, sonde du groupe 2 (1)
63	469	0,5	BK/LG	Référence basse tension du capteur de pression absolue de la tubulure d'admission
69	2760	0,5	BK/VT	Référence basse tension de la sonde de température d'air d'admission
70	3630	0,5	LB/WT	Signal du capteur de position du papillon (SENT1)
73	451	2,5	BK/WT	Masse de signalisation

\* Selon le faisceau de câbles



## ECM

Gris (GY)

Article J3

<u>Cavité</u>	<u>Circuit</u>	<u>Dimension (mm)</u>	<u>Couleur</u>	<u>Description du circuit</u>
1	331	0,5	YL/BR	Signal du capteur de pression d'huile
2	2705	0,5	WT/RD	Référence 5 V du capteur de pression d'huile
3*	2161	0,5	BR/YL	Signal du capteur 2 de pression de la rampe d'alimentation en carburant
8	410	0,5	LB	Tension du capteur 60X de vilebrequin
10	6270	0,5	VT/LB	Commande d'allumage (3)
11	2123	0,5	LG/LB	Commande d'allumage (4)
12	2124	0,5	YL/LB	Commande d'allumage (5)
13	2125	0,5	LB/GY	Commande d'allumage (6)
14	2126	0,5	BR/LB	Référence basse tension de commande d'allumage, groupe 2
15	2130	0,5	BK/GY	Actionneur de pompe à carburant haute pression – commande haute
16	7301	0,75	YL	Référence basse tension du capteur de pression d'huile
17	2755	0,5	BK/VT	Actionneur de pompe à carburant haute pression – commande haute
24	2761	0,5	YL	Référence basse tension de la sonde de température de liquide de refroidissement
25	6272	0,5	BK/VT	Signal du capteur 60X de vilebrequin
26	6271	0,5	LG	Référence basse tension du capteur 60X de vilebrequin
27	2122	0,5	LB/WT	Commande d'allumage (2)
28	2127	0,5	LG/GY	Commande d'allumage (7)
29	2128	0,5	VT/WT	Commande d'allumage (8)
30	2121	0,5	LB/VT	Commande d'allumage (1)
31	2129	0,5	BK/LB	Référence basse tension de commande d'allumage, groupe 1
32	7300	0,75	VT/BK	Actionneur de pompe à carburant haute pression – commande basse
33	5275	0,5	YL/VT	Capteur de position de l'arbre à cames d'admission (1)
34	5300	0,5	GY/LB	Tension d'alimentation du capteur de position d'arbre à cames d'admission (1)
39	5284	0,5	VT/BR	Solénoïde du dispositif de phasage de l'arbre à cames d'admission (1)
45	4804	0,5	GY/LB	Cylindre de commande haute tension d'injecteur de carburant direct (DFI) (4)
46	4802	0,5	LB	Cylindre de commande haute tension d'injecteur de carburant direct (DFI) (2)
47	4806	0,5	VT/LG	Cylindre de commande haute tension d'injecteur de carburant direct (DFI) (6)
48	4808	0,5	GY	Cylindre de commande haute tension d'injecteur de carburant direct (DFI) (8)
49	4803	0,5	LG	Cylindre de commande haute tension d'injecteur de carburant direct (DFI) (3)
50	4807	0,5	YL/GY	Cylindre de commande haute tension d'injecteur de carburant direct (DFI) (7)
51	4805	0,5	WT/LG	Cylindre de commande haute tension d'injecteur de carburant direct (DFI) (5)
52	4801	0,5	BR	Cylindre de commande haute tension d'injecteur de carburant direct (DFI) (1)
53	5301	0,5	BK/LG	Référence basse tension capteur de position d'arbre à cames d'admission
59	6753	0,5	BK/BR	Référence basse tension de retour W du dispositif de phasage d'arbre à cames





65	4904	0,5	LB/WT	Cylindre d'alimentation haute tension d'injecteur de carburant direct (DFI) (4)
66	4902	0,5	LB/GY	Cylindre de commande haute tension d'injecteur de carburant direct (DFI) (2)
67	4906	0,5	VT/GY	Cylindre de commande haute tension d'injecteur de carburant direct (DFI) (6)
68	4908	0,5	GY/WT	Cylindre de commande haute tension d'injecteur de carburant direct (DFI) (8)
69	4903	0,5	LG/GY	Cylindre de commande haute tension d'injecteur de carburant direct (DFI) (3)
70	4907	0,5	WT/YL	Cylindre de commande haute tension d'injecteur de carburant direct (DFI) (7)
71	4905	0,5	LG/WT	Cylindre de commande haute tension d'injecteur de carburant direct (DFI) (5)
72	4901	0,5	BR/WT	Cylindre de commande haute tension d'injecteur de carburant direct (DFI) (1)
73	451A	2,5	BK/WT	Masse de signalisation

\* Selon le faisceau de câbles

Ces caractéristiques techniques constituent un supplément aux manuels d'entretien GM. Ces caractéristiques techniques ne sont pas destinées à remplacer les pratiques d'entretien complètes et détaillées expliquées dans les manuels d'atelier GM.

Les renseignements contenus dans cette publication sont présentés sans aucune garantie. Tout risque encouru pendant l'utilisation de cette publication est entièrement assumé par l'utilisateur. La conception de composant spécial, les procédures mécaniques et les qualifications de chaque lecteur sont hors du contrôle de l'éditeur et c'est pourquoi il décline toute responsabilité afférente en lien avec l'utilisation des renseignements fournis dans cette publication.

Chevrolet, Chevy, l'emblème Chevrolet, General Motors et GM sont des marques déposées de General Motors.



## Juego de sistema de control de motor armado LT4

4L y T56 con sensor de combustible de alta presión de 4 clavijas - No. de parte 19370428

4L y T56 con sensor de combustible de alta presión de 3 clavijas - No. de parte 19370326

8 velocidades con sensor de combustible de alta presión de 3 clavijas - No. de parte 19370328

Hoja de instrucciones No. de parte 19370424

Gracias por elegir Chevrolet Performance como su fuente de alto desempeño. Chevrolet Performance está comprometido a proporcionar tecnología de desempeño comprobada e innovadora que en realidad... sea más que sólo potencia. Chevrolet Performance Parts están diseñadas, desarrolladas y probadas para exceder sus expectativas de ajuste y función. Por favor consulte nuestro catálogo respecto al Centro Autorizado de Chevrolet Performance más cercano a usted o visite nuestra página en Internet [www.chevroletperformance.com](http://www.chevroletperformance.com).

Este sistema de control es un juego auto-soportado y completamente integrado diseñado para operar motores armados serie LT4 de Chevrolet Performance con ruedas reluctoras de cigüeñal de 58x, indexación de árbol de levas 4x, y control electrónico de acelerador (ETC). Este juego de control de motor está diseñado para operar un motor V8 "GEN 5" únicamente, no está diseñado para operar cualquier configuración de motor anterior. Se incluyen en el juego el módulo de control de motor (programado con memoria flash con la calibración adecuada), el módulo de energía de la bomba de combustible, el arnés del motor, el pedal del acelerador, sensor de flujo de aire másico (MAF), cubo de montaje del sensor MAF, sensor de presión de línea de combustible, sensores de oxígeno (2), y cubos de montaje del sensor de oxígeno (2). Este sistema de control está diseñado para uso con un sistema de combustible sin retorno y bomba de combustible que tenga capacidad de ancho de pulso modulado (PWM) en 25 kHz para controlar la presión del combustible. Se necesita una velocidad de flujo de combustible de 65.6 G/H en 58 psi (400 kPa). Debido a que es un sistema de cabezal muerto, se debe incluir un alivio de presión ajustado a 84 psi (580 kPa) en la línea de combustible entre la bomba del tanque y la bomba de alta presión montada en el motor.

El número de parte 19303293 de Chevrolet Performance es un ejemplo de una bomba de combustible compatible e incluye un sistema de alivio de presión interno. Si usa esta bomba, el puerto inferior en el módulo se puede dejar abierto o usarse para conectar un sistema de detección remoto. El Número de parte 13587174 es un conector flexible para esta bomba y está disponible a partir de su concesionario local.

Una bomba con capacidad excesiva puede resultar en cavitación en bajo flujo debido a que la bomba se para y arranca repetidamente en lugar de controlar a una velocidad/presión. De manera alterna, se podría haber usado un sistema de combustible que funcione en 500 kPa fijos y el relevador de la bomba de combustible se puede activar por el cable Verde/Gris en la cavidad 2 del conector del Módulo de energía de la bomba de combustible (FPPM). El cable Verde/Gris es el control de lado positivo de 12 volts para un relevador de bomba de combustible. No use o instale el Módulo de energía de la bomba de combustible si usa este método alterno. Se establecerán los códigos de diagnóstico en el ECM si no se usa el FPPM, pero no iluminará la luz indicadora de falla (MIL). Observe que calentamiento excesivo del combustible y problemas potenciales de arranque/capacidad de conducción pueden resultar a partir de una alta presión constante.

**JUEGOS DIFERENTES USAN ARNESES DIFERENTES, AUNQUE PAREZCAN LOS MISMOS. CADA ARNÉS ES ÚNICO A UN MOTOR DE AÑO DE MODELO. REVISE CON SU CONCESIONARIO SI TIENE PREGUNTAS.**

**IMPORTANTE:** Lea la sección 'Qué hacer y qué no hacer del Sistema' a continuación antes de intentar instalar el motor y después revise de nuevo antes de intentar arrancar el vehículo. Observe si el motor no se pone en marcha al vacío después de la instalación del sistema de control, revise si hay una MIL (luz indicadora de mal funcionamiento, que se ubica en el centro del fusible/relevador, a veces llamada "Check Engine Light" [Luz de revisión del motor] o "Service Engine Soon" [Sé servicio al motor pronto]) que indica los códigos de falla almacenados. Revise si hay códigos y realice cualquier reparación requerida si se ilumina el indicador de fallas (MIL) (por lo general es un problema del conector o problema de cableado), consulte el manual de servicio si es necesario (Cadillac CTS-V 2016).

Observe todas las precauciones de seguridad y advertencias de los manuales de servicio durante la instalación de este paquete en cualquier vehículo. Utilice protección para los ojos y ropa de protección adecuada. Soporte el vehículo firmemente con los puntales hidráulicos cuando trabaje bajo o alrededor de éste. Sólo use las herramientas adecuadas. Tenga mucha precaución cuando trabaje con líquidos y materiales inflamables, corrosivos y peligrosos. Algunos procedimientos requieren equipo y habilidades especiales. Si no tiene la capacitación, experiencia, y herramientas apropiadas para realizar cualquier parte de esta conversión con seguridad, este trabajo debe ser realizado por un profesional.

**Qué hacer y qué no hacer del Sistema:****Haga:**

- Asegúrese que se realicen todas las conexiones laterales del motor/vehículo pretendido antes de conectar la ignición o energía de la batería al sistema.
- Garantice que el arnés de cableado esté asegurado como se requiere, y que la ruta evite ubicaciones que pueden dañar potencialmente el cableado (por ejemplo, bordes filosos, componentes giratorios, componentes de escape, etc.). Asegúrese que cualquier conector o cableado sin usar estén asegurados y protegidos adecuadamente (sellados o encintados conforme se requiera para evitar cortos circuitos).
- Asegúrese que todas las conexiones de tierra del motor y el cableado estén limpias y seguras. Se recomienda una banda trenzada de 3/4 de pulgada mínimo desde el motor al chasis del vehículo.
- Asegúrese que el sensor de flujo másico de aire (MAF) esté orientado correctamente en la inducción (sólo leerá correctamente en la dirección adecuada). Una flecha se ubica en el sensor que indica la dirección correcta de flujo. Verifique esto antes de soldar el cubo de montaje, ya que el sensor se instalará sólo en una dirección en el cubo.
- Asegúrese que el Sensor de flujo de aire másico (MAF) esté instalado en medio de un tubo de 6 pulgadas de longitud y 4 pulgadas de diámetro mínimo, y que esté a un mínimo de 10 pulgadas desde el cuerpo del acelerador.
- Asegúrese de que la bomba de combustible tenga la siguiente capacidad de flujo: Mínimo 65.6 gph @ 400 kPa (58 psi).
- Asegúrese que el voltaje de la batería esté conectado por medio de un cable calibre 8 mínimo a uno de los pernos del bloque de fusibles.
- Asegúrese que los espacios del pedal del acelerador cumplan con los siguientes reglamentos.
- Asegúrese que el Sensor de presión de la línea de combustible esté instalado adecuadamente.
- Asegúrese que el Módulo de energía de la bomba de combustible esté instalado adecuadamente.
- Una vez que se caliente el motor. Se pueden ver cambios de incremento de presión de aceite de 10 psi o más. Ésta es una condición normal de operación. No retire el Sensor de presión de aceite. Se requiere la entrada del sensor para la operación correcta del motor.

**No haga:**

- Cambie o altere cualquier cableado en el pedal del acelerador o sistemas electrónicos del acelerador.
- Tome la referencia de vacío del sistema de combustible.
- Suelde o altere cualquier cableado del Sensor de oxígeno.

**Requerimientos del vehículo****Entrada de velocidad del vehículo**

El Módulo de control del motor (ECM) está programado y busca 40 pulsos por revolución de forma típica para transmisiones automáticas. El arnés del Sistema de control LT4 está diseñado para conectarse al sensor de velocidad de salida de las transmisiones 4LXX o la transmisión manual Super Magnum T56, que tienen una salida de 40 pulsos. El ECM DEBE tener el VSS conectado. Si el ECM no ve el VSS, la aceleración se limitará a 30% para proteger el motor contra sobrevelocidad. Para transmisiones automáticas de 8 velocidades, la información del sensor de velocidad del vehículo se alimenta al controlador de transmisión por medio de líneas CAN. No se usa el conector del Sensor de velocidad del vehículo.

**Requerimientos de relación de eje y tamaño de rueda**

La relación de transmisión del eje en la calibración se ajusta a 3.42:1 y es adecuada para una relación desde 3.08 a 4.11. Se necesita que el diámetro de rueda sea entre 26" y 30". **NOTA: Elija una relación de eje y tamaño de llanta dentro del rango recomendado para un desempeño óptimo.**

**NOTA:**

Todos los motores se envían con un volante de inercia de transmisión manual y no incluyen el motor de arranque. Para aplicaciones de transmisión automática, la placa flexible y el convertidor de par se deben adquirir por separado. Consulte [www.chevroletperformance.com](http://www.chevroletperformance.com) para los embragues y volantes de inercia Chevy Performance recomendados.

**También consulte el Catálogo de CHEVROLET PERFORMANCE o [chevroletperformance.com](http://chevroletperformance.com) respecto al motor de arranque, placa flexible, y componente del convertidor de par recomendados.**

**NOTA:** Las partes indicadas aquí pueden haber sido actualizadas o reemplazadas, consulte [gmperformanceparts.com](http://gmperformanceparts.com) para conocer la lista de números de parte más reciente.

**Lista de Partes:**

- 19370428 - Juego de controlador LT4 para transmisión 4L y T56 con Sensor de combustible de alta presión de 4 clavijas
- 19370326 - Juego de controlador LT4 para transmisión 4L y T56 con Sensor de combustible de alta presión de 3 clavijas
- 19370328 - Juego de control LT4 para transmisión de 8 velocidades con Sensor de combustible de alta presión de 3 clavijas

**Todos los juegos de control de motor tienen las siguientes partes:**

- 19370424 Hoja-I (Hoja de instrucciones)
- 19331509 Arnés de cables de motor para sensor de combustible de alta presión de 4 clavijas, Cant. 1
  - o
- 19356491 Arnés de cables de motor para sensor de combustible de alta presión de 3 clavijas, Cant. 1
- 23262344 Sensor de flujo de aire masivo, Cant. 1
- 19166574 Soporte de sensor de flujo de aire masivo, Cant. 1
- 10379038 Ensamblaje de pedal, Qty 1
- 12656577 Sensor de oxígeno, Cant. 2
- 15156588 Cubo de montaje de sensor de oxígeno, Cant. 2
- 19300176 Perno/tornillo, Cant. 2
- 19300177 Arandela, Cant. 2
- 13579380 Sensor de presión de línea de combustible, Cant. 1
- 23382215 Módulo de energía de bomba de combustible, Cant. 1
- 11588564 Perno (M8x1.25x25), Cant. 2
- 11562004 Perno (M10x1.52x30), Cant. 2
- 22942442 Emblema, Cant. 1
- Módulo de control del motor, Cant. 1
  - 19370427 - Sensor de combustible de alta presión de 4 clavijas para 4L y T56
    - o
  - 19370327 - Sensor de combustible de alta presión de 3 clavijas para 4L y T56
    - o
  - 19370329 - Sensor de combustible de alta presión de 3 clavijas para transmisión de 8 velocidades

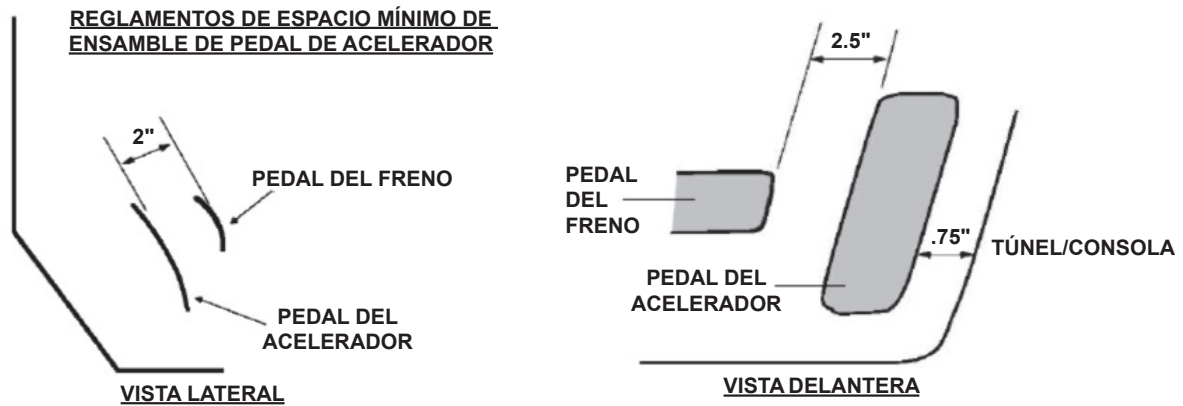
**Instrucciones de Instalación:**

**Módulo de control del motor (ECM)**

El Módulo de control del motor (ECM) está sellado al ambiente y se puede instalar bajo el cofre, sin embargo, evite ubicaciones extremadamente calientes (escape, etc.) o áreas con mucha salpicadura. No se recomienda instalar el Módulo de control del motor (ECM) directamente en el motor.

**Pedal del acelerador**

Instale el pedal del acelerador conforme a las siguientes guías dimensionales, los detalles de instalación son específicos para la aplicación y se dejan al criterio del usuario. Asegúrese que el pedal esté instalado firmemente en el vehículo. Se requiere una roldana en cualquier orificio de la lámina de metal por el que se pase el arnés para evitar daños al cable.



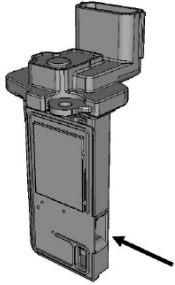
**Sensor de flujo de aire másico (MAF)**

**NOTA:** Es crítico que el sensor de flujo de aire másico (MAF) se instale conforme a las siguientes instrucciones. El desempeño y/o capacidad de conducción del vehículo se pueden ver afectados si no se instala como se recomienda.

El sensor de flujo de aire másico se debe instalar en el sistema de inducción por medio del cubo de montaje del sensor de flujo de aire másico (MAF) incluido. El sistema de inducción debe ser de 4 pulgadas de diámetro y tener una sección recta mínima de 6 pulgadas de longitud. Instale el sensor de flujo de aire másico (MAF) en medio de la sección recta de inducción, asegurándose que la mitad del cubo de montaje esté por lo menos a 10 pulgadas desde el cuerpo del acelerador.

El sensor de flujo de aire másico (MAF) debe estar orientado de forma correcta en el sistema de inducción – observe la flecha en el sensor que indica la dirección del flujo. Asegúrese de soldar el cubo de montaje correctamente – el sensor sólo se instalará en un sentido en el cubo (vea el diagrama).

**EL MAF PUEDE NO TENER UNA FLECHA DE DIRECCIÓN DE FLUJO EN LA PARTE SUPERIOR. LA ORIENTACIÓN CORRECTA DEL MAF ES COMO SE MUESTRA A CONTINUACIÓN:**



Suelde el cubo en su lugar antes de instalar el sensor. Cuando se instala en el vehículo, el sensor de flujo de aire másico (MAF) se debe instalar con el extremo del conector apuntando entre la horizontal y completamente vertical — no instale con el sensor orientado hacia abajo.

**REGLAMENTOS DE MONTAJE DEL SENSOR MAF**



**Depurador de aire:** Se recomienda usar un depurador de aire de elemento seco. El juego de entrada universal Chevrolet Performance, No. de parte 19301246 está disponible para uso y cumple todos los requerimientos anteriores.

**NOTA:** No se puede garantizar el abastecimiento de combustible si se usa un depurador de aire de tipo de elemento aceitado.

**Sensores de oxígeno**

**NOTA:** Es crítico que los Sensores de oxígeno se instalen conforme a las siguientes instrucciones. El sistema de escape DEBE estar sellado adecuadamente – cualquier fuga cerca de los sensores (corriente arriba o abajo) puede causar la operación incorrecta del sistema de control de combustible. El desempeño y/o capacidad de conducción del vehículo se pueden ver afectados si no se instala como se recomienda o si existe una fuga de escape. Revise si hay fugas en el sistema de escape para asegurar el sellado adecuado (incluso fugas pequeñas pueden afectar el control de combustible).



Los **Sensores de oxígeno** se deben instalar en el área del colector de los múltiples de escape en una ubicación que permita que se puedan tomar muestras del escape de todos los cilindros de igual manera (los múltiples de escape en existencias incluyen un cubo de montaje para los sensores de oxígeno). Asegúrese que los conectores y cableado se coloquen lejos de áreas de alto calor. Los sensores de oxígeno se deben instalar con la punta del sensor apuntando entre la horizontal y completamente hacia abajo – no instale con la punta orientada hacia arriba. Suelde los cubos de instalación incluidos (orificio de 7/8") si usa cabezales.

**Múltiples de escape:** Se recomienda usar los múltiples de escape incluidos o Múltiples de escape estilo Motor GEN 5 similares.

### **Sistema de ventilación positiva del cárter (PCV)**

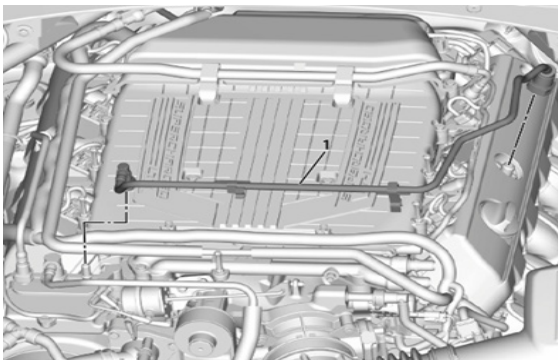
#### **Cómo configurar su sistema PCV:**

Se usa un sistema de ventilación positiva del cárter para proporcionar un barrido más completo de los vapores del cárter. El aire filtrado del ducto del sistema de inducción de aire es alimentado al cárter, se mezcla con los vapores de combustión y pasa a través de un dispositivo de medición de la ventilación del cárter antes de entrar al súper cargador. El componente principal en el sistema de ventilación positiva del cárter (PCV) es el dispositivo de medición de flujo de PCV (válvula u orificio). Los cambios de vacío dentro del súper cargador resultan en variaciones de flujo de los vapores aspirados. Si se presentan condiciones de operación anormales, el diseño del sistema de PCV permite que cantidades excesivas de vapores a presión regresen a través del tubo de ventilación del cárter y hasta el sistema de inducción del motor que se consumirán durante la combustión normal. El diseño del sistema de ventilación del motor minimiza el consumo de aceite y reduce de manera significativa el potencial de ingestión de aceite durante maniobras de manejo de límite del vehículo.

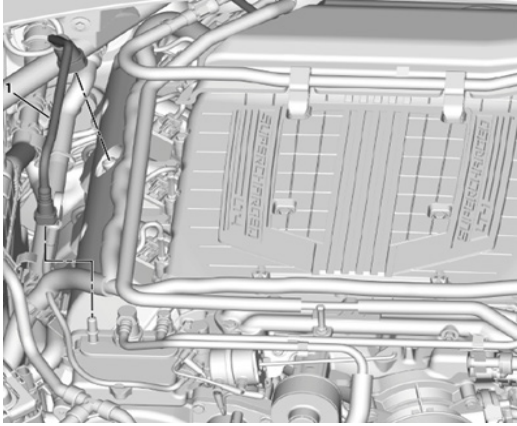
El motor LT4 utiliza un sistema de ventilación positiva del cárter (PCV) integral que se localiza en el Ensamble del múltiple de aceite del elevador de válvula debajo del ensamblaje del súper cargador. El Ensamble del múltiple de aceite del elevador de válvula contiene deflectores de separación de aceite compuestos y tubería de PCV. El aire fresco filtrado se dirige desde corriente arriba de la placa del acelerador al tanque de aceite del motor donde se mezcla con los gases del cárter y pasa a ambas cubiertas del brazo del balancín del motor. El diseño de las cubiertas del brazo de balancín protege el rocío de aceite del brazo del balancín, reduciendo con ello el potencial que sea succionado de nuevo dentro del tanque durante el contraflujo del sistema de ventilación. Si el aceite se succiona dentro del tanque drenará al cárter de aceite, lo que reduce aún más el consumo de aceite. Los vapores succionados se dirigen desde el ensamblaje del múltiple de aceite del elevador de la válvula a través de un orificio fijo (7.5 mm) dentro del tubo PCV de acero, y después al lado inferior del súper cargador cerca del frente del ensamblaje del múltiple de aceite del elevador de válvula. Para el sistema PCV funcione correctamente, se debe conectar tubería con un diámetro interno de 8 mm desde cada Cubierta de válvula al separador de aceite. El puerto central del separador se debe conectar a la entrada de aire fresco entre el sensor MAF y el aspa del acelerador.

#### **Para motores LT4 de sumidero húmedo:**

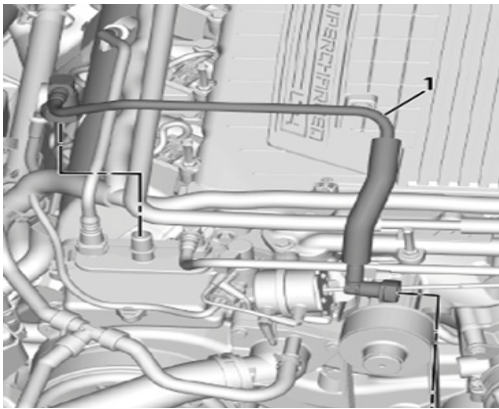
El tubo de PCV 12668976 (partida 1 a continuación) se puede adquirir a partir de su concesionario Chevy local para asegurar la operación correcta de PCV para el PCV del lado izquierdo.



El tubo de PCV 12644356 (partida 1 a continuación) se puede adquirir a partir de su concesionario Chevy local para asegurar la operación correcta de PCV para el PCV del lado derecho.



La manguera de PCV 12687313 se puede adquirir para obtener los accesorios de conexión rápida necesarios para conectar al separador de aceite y el sistema de entrada.



**Fuente de vacío de refuerzo del freno de potencia:**

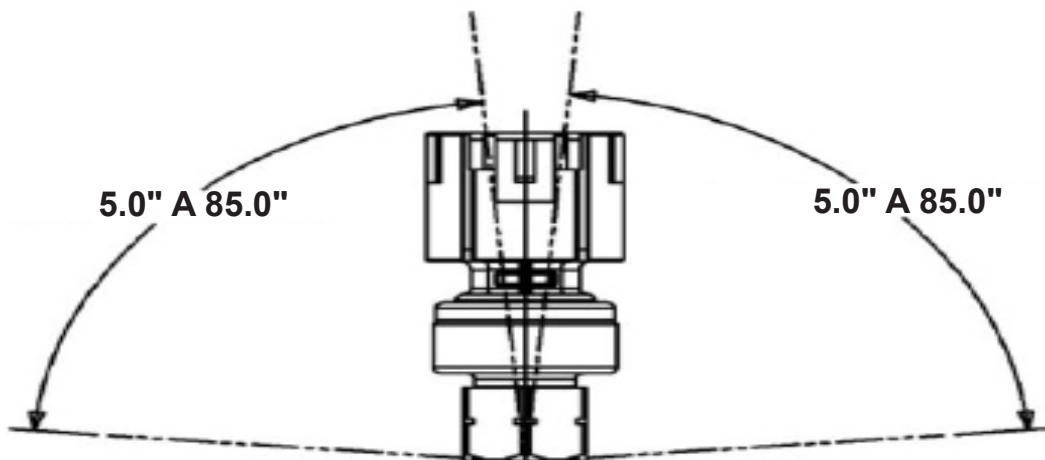
Se necesitará adquirir una bomba de vacío auxiliar si se desean frenos de potencia. Varias configuraciones de bomba eléctrica de vacío diferentes están disponibles a partir de su concesionario local. Por favor vea el Corvette LT1 y Corvette LT4 así como el Cadillac CTS-V LT4. El motor LT4 no producirá vacío adecuado para soportar los frenos de potencia bajo todas las condiciones de operación.

**Sensor de presión de aceite:**

El sensor de presión de aceite que viene en el motor no se debe retirar o modificar. Se requiere asegurar el control adecuado de la bomba de aceite y el corrector de fase de leva.

**Sensor de presión de línea de combustible**

Este sensor es necesario para la operación del Módulo de energía de la bomba de combustible. El Sensor de presión de la línea de combustible se debe instalar lo más lejos posible del motor como resulte práctico en la línea de alimentación de combustible. Esto ayudará a amortiguar cualquier pico de presión de combustible de la bomba de combustible de alta presión montada en el motor. No use un destornillador de impacto para instalar el sensor. Apriete a 15 NM +/- 5 NM. El sensor se debe montar en un puerto M10x1.0 con un sello de anillo O capaz de sellar combustible. El Sensor de presión de la línea de combustible se debe instalar como se muestra:



**ORIENTACIÓN DE MONTAJE PERMISIBLE EN CUALQUIER DIRECCIÓN RELATIVA A LA POSICIÓN VERTICAL**

**Módulo de energía de la bomba de combustible**

El Módulo de energía de la bomba de combustible se debe montar lo más cerca de la bomba de combustible conforme resulte práctico y los cables que energizan le bomba de combustible deben permanecer torcidos. Si se necesita una longitud adicional, mantenga un torcimiento de 27 vueltas por metro (8 vueltas por pie) para asegurar la protección adecuada contra Interferencia electromagnética con el resto del vehículo (es decir, el radio y otros módulos de control). El Módulo de energía de la bomba de combustible está completamente sellado y se puede instalar en cualquier orientación pero se deben mantener las mejores prácticas (es decir, lejos de fuentes de calor, mantener un espacio adecuado a las partes móviles, mantener un espacio al suelo adecuado, con el conector apuntado en dirección hacia abajo para evitar la entrada de agua, etc.).

**Válvula de emisiones de evaporación**

El sistema de emisiones de evaporación se puede usar con el juego de control de Motor Chevrolet Performance, pero no se requiere para la operación correcta del motor. El puerto se debe tapar o conectar a un depósito de vapor.



**Arnés de cableado de motor**

A continuación se indican las conexiones laterales del motor y el vehículo. Se describen circuitos opcionales en la sección 'Conexiones opcionales' a continuación: **NOTA: Se instala una Lámpara indicadora de mal funcionamiento (MIL - a veces llamada luz "dé servicio al motor pronto") en el interior del centro del fusible/relevador. Una salida MIL redundante también está disponible en el arnés cerca del conector del módulo del pedal. Se recomienda instalar también una MIL en una ubicación visible en el compartimiento del pasajero. Este circuito requiere cualquier luz de baja corriente de 12v y una fuente de energía de 12v de ignición. La salida MIL del módulo de control del motor (ECM) provee la tierra para el circuito.**

**Conexiones requeridas para la operación correcta**

Sensor de velocidad del vehículo – Conector de 2 clavijas no se usa para aplicaciones de transmisión de 8 velocidades

Sensor de flujo de aire másico (MAF) – Conector de 8 clavijas

Control electrónico de aceleración – Conector de 5 clavijas

Sensor de presión absoluta del múltiple (MAP) – Conector de 3 clavijas

Sensores de oxígeno (2 en total) – Conectores de 4 clavijas

Sensores de impacto (2 en total) – Conectores de 2 clavijas

Bobinas de ignición (8 en total) – Conectores de 4 clavijas

Sensor de posición del cigüeñal – Conector de 3 clavijas

Sensor de pedal del acelerador – Conector de 6 clavijas

Entrada de interruptor de ignición – 1 cable

Control de la bomba de combustible – 2 cables

Control de PWM y protección de bomba de combustible - 3 cables

Energía de la batería (Perno en centro de fusibles/relevador)

Control de ventilador de enfriamiento – 2 cables

Inyectores pares y Bomba de combustible de alta presión – Conector de 12 clavijas

Inyectores impares y presión de riel – Conector de 12 clavijas

Temperatura de refrigerante y presión de aceite – Conector de 10 clavijas, parte de LOMA

Bomba de aceite de dos etapas, posición de leva y corrector de fase de leva – Conector de 8 clavijas

Generador – Conector de 2 clavijas

ECM (3 en total) – Conectores de 73 clavijas

Presión de línea de combustible – Conector de 3 clavijas

Módulo de energía de bomba de combustible – Conector de 16 clavijas

**Conexiones opcionales (no se requieren para operación)**

Mampara de salidas de usuario opcionales – Se requiere conector de 12 clavijas (12 vías) para Sistemas de control de transmisión Chevy Performance Supermatic

Indicador de falla (MIL) – 1 cable

Enlace de diagnóstico de línea de ensamble (ALDL) – Conector de 16 clavijas

Parte superior de interruptor de embrague/interruptor de freno de viaje – 2 cables

Solenoides de purga de recipiente – conector de 2 clavijas

**Conexiones**

Conecte todos los conectores del lado del motor/vehículo antes de conectar el arnés al módulo de control del motor (ECM).

Todos los conectores laterales del motor/vehículo están etiquetados por funciones, consulte el manual de servicio si es necesario para determinar las ubicaciones de conexión (vea la siguiente información del manual de servicio).

**Nota: Puede ser más sencillo instalar el arnés en el motor antes de instalar el motor en el vehículo.**

El arnés incluye un centro de fusible/relevador que contiene todos los fusibles y relevadores requeridos, y también un conector de mampara de 12 vías (con conector de empate sellado) que contiene salidas que pueden ser útiles para el usuario (vea la sección "Salidas de conector de mampara" a continuación). El centro de fusible/relevador se debe instalar tan alto en el compartimiento del motor como sea posible para evitar salpicaduras y desechos del camino innecesarios. De igual forma, mantenga el conector de mampara de 12 vías y el conector de enlace de diagnóstico (ambos se conectan desde el centro de fusibles/relevador) lo más alto posible y protegidos.

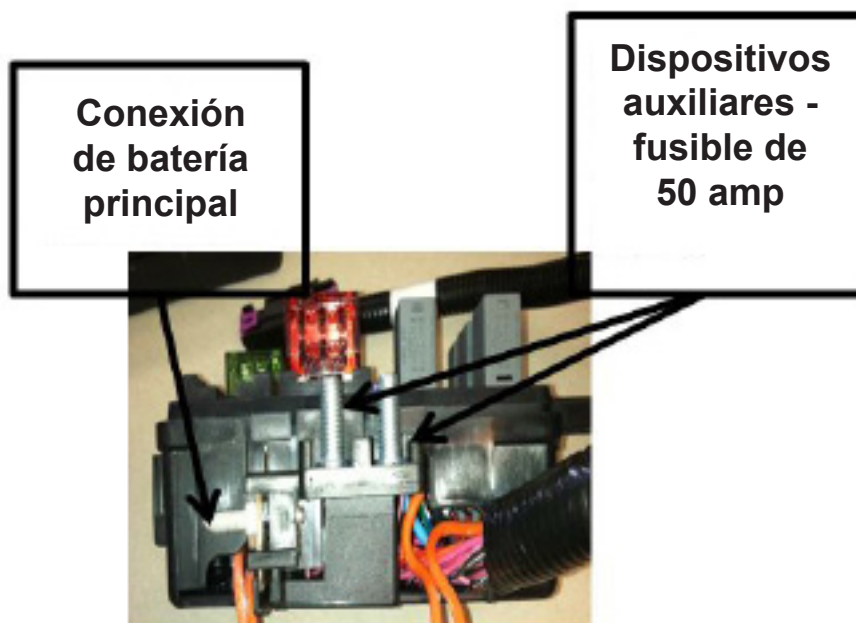
Los 3 conectores del módulo de control del motor (ECM) están indexados para conectarse únicamente en las ubicaciones correctas. Instale presionando firmemente hacia abajo hasta que el conector quede asentado, luego jale la barra deslizante superior hacia abajo hasta que se ajuste y quede asegurado en su lugar. La barra debe deslizarse suavemente y no se debe mover a menos que el conector esté asentado correctamente, no use fuerza excesiva.



Sujete las armellas de tierra del arnés (5 en total) al bloque del motor usando los 4 pernos provistos, asegurando que las conexiones estén limpias y seguras, y sujete los cables de la bomba de combustible desde el FPPM a la energía y tierra de la bomba. Se deben conectar dos armellas de tierra debajo de un perno en la parte trasera de la culata de cilindro.

Para aplicaciones de transmisión manual, se proporcionó un par de cables para conexión a una parte superior del interruptor del embrague de viaje. No se debe confundir con la parte inferior del interruptor de embrague de viaje o el interruptor de embrague de seguridad neutral que evita la conexión del motor de arranque sin presionar completamente el embrague. La parte superior del interruptor de embrague de viaje se usa para desactivar brevemente el combustible cuando se presiona el embrague lo que ayuda a desacelerar el motor y hace que el cambio ascendente sea más fácil y rápido. Un interruptor de embrague compatible tendrá dos clavijas que proporcionan un circuito cerrado cuando el pedal del embrague se libera completamente y un circuito abierto tan pronto como se presione parcialmente el pedal del embrague.

**Asegúrese de hacer todas las conexiones previstas del motor y del lado del motor antes de proceder a conectar la corriente.**



Conecte una alimentación de interruptor de encendido de 12 voltios del vehículo al cable rosa del interruptor de encendido en el arnés de cables (esto es necesario para habilitar la secuencia de encendido correcta del ECM). Esta fuente de energía de 12 voltios debe ser constante durante la marcha para asegurar que el Módulo de control del motor permanezca energizado durante el arranque del motor. Éste se puede rutear dentro del compartimiento del pasajero con el conector del pedal del acelerador y el conector del enlace de diagnóstico. A continuación, conecte la alimentación de la batería (con un cable calibre 8 como mínimo) al perno horizontal en el centro de relevadores de fusibles. Los otros dos pernos son para accesorios y tienen fusibles de 50 amps, y la instalación del arnés está completa.

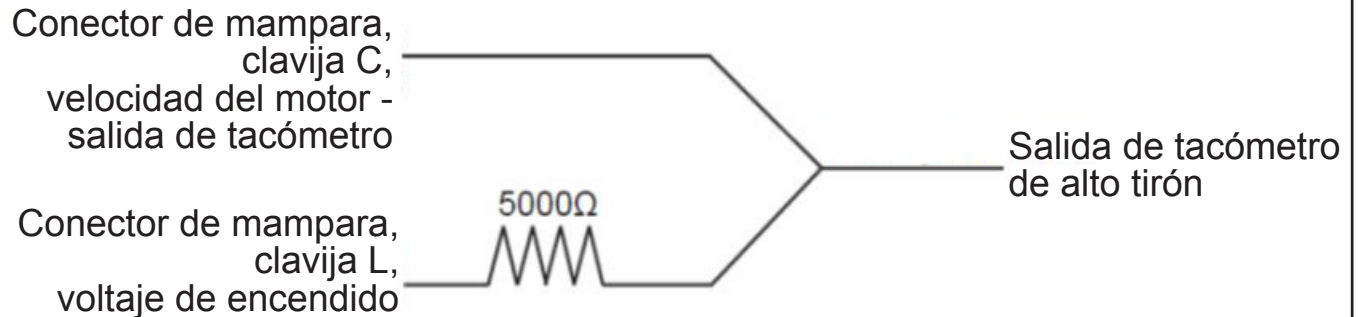
A continuación se incluyen también características adicionales y descripciones del conector para mampara.

#### Características del Sistema

- El centro de fusibles/relevadores contiene todos los fusibles y relevadores necesarios para la correcta operación del motor. Se incluyen aberturas para fusibles y relevadores de repuesto para uso futuro.
- El centro de fusibles/relevadores incluye una luz indicadora de falla (MIL) que se encenderá en caso de un código de falla del motor. Consulte a su concesionario de Chevrolet Performance para recuperar este código en el conector de enlace de diagnóstico en el centro de fusibles/relevadores. También se pueden recuperar los códigos usando una herramienta de exploración de diagnóstico post-venta capaz de leer esta configuración. Observe que la luz de indicación de fallas (MIL) se iluminará al girar la llave del vehículo - esto es normal, y se apagará una vez que el motor encienda si no hay códigos de falla actuales. Se incluye un cable redundante de la MIL en el arnés de cables para permitir que se instale una luz dentro del compartimiento del pasajero. El cable está ubicado en el manojó de cables cerca del conector del pedal y del voltaje de encendido.
- El ECM controla dos ventiladores de enfriamiento. El control se ajusta para encender el primer ventilador de 12 V en temperatura del refrigerante de 97 grados C (207 grados F) y el segundo ventilador en 105 grados C (221 grados F). Los cables de control del ventilador tienen fusibles/relevadores y se pueden conectar directamente a los ventiladores.



- La bomba de combustible es controlada por el FPPM. Los cables de control suministran un ancho de pulso modulado (PWM) de 12 V y se deben conectar directamente a la bomba de combustible.
- El cable gris de la bomba de combustible es para el control de la bomba de combustible, o positivo. El cable amarillo con franja negra es la tierra o referencia. El cable negro sólido delgado es para protección y se debe conectar a la clavija de protección de la bomba de combustible. Si no hay clavija de protección presente, deje este cable sin terminal (corte romo) y adherido con cinta al arnés. La bomba número de parte 19303293 de Chevrolet Performance NO tiene una clavija de protección.
- Se incluye una señal de tacómetro en el conector de mampara (vea a continuación). Ésta es una salida de 4 pulsos/revolución que puede corresponder a una configuración de 8 cilindros en algunos tacómetros o controladores de transmisión. Observe que la señal es una onda cuadrada de bajo voltaje, algunos tacómetros o controladores de transmisión pueden necesitar un resistor de polarización a fin de leer la señal, similar a un resistor de 5000 ohm, ¼ watt – este detalle se deja al usuario. El siguiente circuito ha funcionado para numerosos dispositivos – quizá sea necesario cambiar el valor del resistor si su dispositivo no lee esta salida correctamente.



**NOTA:** Cuando se conecta al Arnés de conexión y crucero Supermatic de CHEVROLET PERFORMANCE no se requiere el resistor de elevación para el Controlador de transmisión.

- Se incluye una salida de velocidad del vehículo en el conector para mampara para usar con velocímetros con ajuste automático de escala. El conector del sensor de velocidad del vehículo en el arnés de cables se debe conectar a un sensor de velocidad de reluctancia variable (típico de la mayoría de transmisiones automáticas GM de modelos recientes) para esta función.

### Salidas del Conector de Mampara

Conector de mampara			Conector de acoplamiento	
<p>Vista de Carga o Vista Trasera</p>			Conector 15326849	Conector 15326854
			Terminal hembra 12191818	Terminal macho 15326269
			Sello 15366021	Sello 15366021
			Tapón 15305171	Tapón 15305171
			TPA 15430903	TPA 15430903
			CPA 15317832	
Circuito #	Posición	Calibre del cable	Color	Descripción
2501B	A	0.5	Blanco	GMLAN Baja velocidad (-)
-	B	-	Tapón	Vacío
C_121	C	0.75	Blanco	Velocidad del motor
C_818	D	0.75	Café	Velocidad del vehículo - Salida
-	E	-	Tapón	Vacío
-	F	-	Tapón	Vacío
2500B	G	0.5	Azul claro	GMLAN Baja velocidad (+)
331B	H	0.5	Amarillo / Café	Señal de presión del aceite
-	J	-	Tapón	Vacío
C_IGN	K	1.0	Naranja	Fusible de energía de la batería
C_IGN	L	0.75	Rosa	Corriente de "encendido"
C_50E	M	1.0	Negro	Tierra



Las salidas del conector para mampara - Terminales para el conector de acoplamiento incluidas, se pueden adquirir en una concesionaria GM con el conjunto de Servicio de Terminales Delphi. Las terminales son No. de parte GM 19167018, y los sellos de cable son No. de parte Delphi 15366021 (sello blanco). En muchos concesionarios esto se puede encontrar en el Departamento de Partes.

- El Enlace de Comunicación GMLAN (BLANCO [+], AZUL CLARO [-]) – Éste proporciona al GMLAN mensajes de comunicación con parámetros de operación del motor para su uso potencial en módulos agregados en el futuro – cualquier integración actual de éste está a la izquierda del usuario. Se puede integrar con un tablero LAN o con una pantalla electrónica de lectura con tablero.
- Señal de tacómetro (BLANCO) – Ésta es una salida de 4 pulsos/rev (ver características anteriormente).
- Velocidad del vehículo (CAFÉ) – Ésta es una salida sin escala para usar con velocímetros con ajuste automático de escala y no funcionará a menos que un sensor de velocidad del vehículo (VSS) esté conectado al Módulo de control del motor (ECM) a través del cable de sensor de velocidad de vehículo (VSS) en el arnés de cables.
- Sensor de presión de aceite (AMARILLO/Franja CAFÉ) – Es la salida del sensor de presión de aceite que puede usarse para monitoreo (presión (psig) = [32\*voltaje del sensor]-16). Use el cable de conexión a tierra en el conector de mampara como la referencia baja (tierra).
- Energía de 12V con Fusible de 10A (NARANJA) – Ésta es una salida de energía y siempre está activada.
- Energía de encendido de 12V con Fusible de 15A (ROSA) – Ésta es una salida de energía y está activada sólo cuando el motor está encendido.
- Tierra (NEGRO) – Se usa como referencia baja (tierra) para completar los circuitos de salida de presión del aceite. También se puede usar para módulos conectados a cualquiera de las salidas de 12V.

NOTA: Si utiliza el Juego de sistema de control de transmisión Supermatic de CHEVROLET PERFORMANCE, #19302405 o 19302410, se debe conectar el conector de mampara en el arnés de conexión y cruceo Supermatic CHEVROLET PERFORMANCE.

#### **Procedimientos de arranque y de asentamiento**

Siga el procedimiento de arranque y asentamiento que venía con las instrucciones del motor.

#### **Información de servicio**

Acuda a su Concesionario de Chevrolet Performance Parts para Servicio o para obtener instrucciones sobre cómo obtener los Manuales de servicio e Información de servicio.

Apéndice:

Consulte [www.chevroletperformance.com](http://www.chevroletperformance.com) para los motores de arranque, embragues y volantes de inercia recomendados para las aplicaciones manuales y accesorios de conducción.



**Diagramas de las terminales de salida de los conectores del ECM:**

Módulo de control del motor (ECM)

Azul  
Artículo J1

<u>Cavidad</u>	<u>Circuito</u>	<u>Tamaño (mm)</u>	<u>Color</u>	<u>Descripción de circuito</u>
2	7446	0.5	LB/WT	Señal de sensor de presión de línea de combustible
4	3200	0.5	YL/WT	Señal de sensor de presión absoluta de entrada de acelerador
5	3201	0.5	WT/RD	Referencia de 5V de sensor de presión absoluta de entrada de acelerador
8	7447	0.5	BK/YL	Referencia baja de sensor de presión de línea de combustible
14	1164	0.5	WT/RD	Referencia de 5 Voltios de posición de pedal de acelerador (1)
15	1161	0.5	YL/WT	Señal de posición de pedal de acelerador (1)
24	7445	0.5	BR/RD	Referencia de 5V de sensor de presión de línea de combustible
30	1271	0.5	BK/LB	Referencia baja de posición de pedal de acelerador (1)
33	1274	0.5	BR/RD	Referencia de 5 Voltios de posición de pedal de acelerador (2)
34	1162	0.5	LG/WT	Señal de posición de pedal de acelerador (2)
36	7493A	0.5	LB/BK	Datos en serie GMLAN de alta velocidad (+)(3)
37	7494A	0.5	WT	Datos en serie GMLAN de alta velocidad (-)(3)
39	2500	0.5	LB	Datos en serie GMLAN de alta velocidad (+)(1)
40	2501	0.5	WT	Datos en serie GMLAN de alta velocidad (-)(1)
41*	2918	0.5	BU/WH	Señal de Sensor de presión del riel de combustible
42	C FN2C	0.5	BL/RD	Control de ventilador 2
43	C 818	0.75	BN	Salida de velocidad de vehículo
44	465	0.5	LG/GY	Control de relevador primario de bomba de combustible
46	419	0.5	BR/WT	Control de indicador de revisión de motor
51	439A	0.5	VT/LG	Voltaje de operación/marcha de ignición 1
52	740	0.5	RD/YL	Batería
53	1272	0.5	BK/VT	Referencia baja de posición de pedal de acelerador (2)
59	2366	0.5	WT/BK	Señal de velocidad de relevador de control de ventilador de enfriamiento
60	5291	0.5	VT/LB	Suministro de fusible de relevador principal de tren motriz (2)
64	C 20	0.5	YE	Parte superior de interruptor de embrague de viaje
67	5292	0.75	VT/LB	Suministro de fusible de relevador principal de tren motriz (3)
72	5991A	0.5	YL	Control de bobina de relevador de tren motriz
73	5290B	2.5	VT/LB	Suministro de fusible de relevador principal de tren motriz (1)

\* Depende del arnés



Módulo de control del motor (ECM)

Negro  
Artículo J2

<u>Cavidad</u>	<u>Circuito</u>	<u>Tamaño (mm)</u>	<u>Color</u>	<u>Descripción de circuito</u>
3	2919	0.5	BK/LG	Referencia baja de sensor de presión de riel de combustible
6	C 821	0.5	PP/WH	Sensor de velocidad de vehículo +
7	C 822	0.5	L-GN/BK	Sensor de velocidad de vehículo -
10	3110	0.5	VT/GY	Sensor de banco 1 de señal alta de sensor de oxígeno caliente (1)
11	3210	0.5	VT/WT	Sensor de banco 2 de señal alta de sensor de oxígeno caliente (1)
15	4008	0.5	BR/GY	Señal de sensor de humedad
16	582	0.5	BR/WT	Cierre de control de actuador de acelerador
18	2917	0.5	BR/RD	Voltaje de referencia de sensor de riel de combustible (5)
19*	2918	0.5	LB/WT	Señal de sensor de presión de riel de combustible
26	3111	0.5	WT/BK	Sensor de banco 1 de señal baja de sensor de oxígeno caliente (1)
27	3211	0.5	YL/WT	Sensor de banco 2 de señal baja de sensor de oxígeno caliente (1)
32	581	0.5	YL	Control abierto de actuador de acelerador
34	2701	0.5	BR/RD	Referencia de 5 voltios de sensor de posición de acelerador
36	496	0.75	VT/GY	Señal de sensor de detonación (1)
37	1876	0.75	WT/GY	Señal de sensor de detonación (2)
41	3113	0.5	GY/WT	Sensor de banco 1 de control bajo de sensor de oxígeno caliente (1)
43	432	0.5	LG/WT	Señal de sensor de presión absoluta de múltiple
44	2704	0.5	GY/RD	Referencia de 5 Voltios de sensor de presión absoluta de múltiple
47	C 121	0.75	WH	Salida de velocidad de motor
49	6289	0.5	WT/LB	Señal de sensor de temperatura de aire de ignición
51	428	0.5	LG/LB	Control de solenoide de purga de depósito de EVAP
52	492	0.5	LG/WT	Señal de sensor de flujo de aire másico
53	25A	0.5	BR	Control de indicador de carga
54	2752	0.5	BK/BR	Referencia baja de sensor de posición de acelerador
55	23A	0.5	GY	Señal de ciclo de servicio de campo de generador
56	1716	0.75	BK/YL	Referencia baja de sensor de detonación (1)
57	2303	0.75	BK/GY	Referencia baja de sensor de detonación (2)
59	179	0.5	LB	Señal de comando de bomba de aceite
61	3212	0.5	LG/YL	Sensor de banco 2 de control bajo de calentador de sensor de oxígeno caliente (1)
63	469	0.5	BK/LG	Referencia baja de sensor de presión absoluta de múltiple
69	2760	0.5	BK/VT	Referencia baja de sensor de temperatura de aire de admisión
70	3630	0.5	LB/WT	Señal de sensor de posición de acelerador (SENT1)
73	451	2.5	BK/WT	Conexión a tierra de señal

\* Depende del arnés



Módulo de control del motor (ECM)

Gris  
Artículo J3

<u>Cavidad</u>	<u>Circuito</u>	<u>Tamaño (mm)</u>	<u>Color</u>	<u>Descripción de circuito</u>
1	331	0.5	YL/BR	Señal de sensor de presión de aceite
2	2705	0.5	WT/RD	Referencia de 5 voltios de sensor de presión de aceite
3*	2161	0.5	BR/YL	Señal de sensor de presión de riel de combustible #2
8	410	0.5	LB	Voltaje de sensor de cigüeñal 60X
10	6270	0.5	VT/LB	Control de ignición (3)
11	2123	0.5	LG/LB	Control de ignición (4)
12	2124	0.5	YL/LB	Control de ignición (5)
13	2125	0.5	LB/GY	Control de ignición (6)
14	2126	0.5	BR/LB	Banco 2 de referencia baja de control de ignición
15	2130	0.5	BK/GY	Actuador alto de bomba de combustible de alta presión - Control
16	7301	0.75	YL	Referencia baja de sensor de presión de aceite
17	2755	0.5	BK/VT	Actuador alto de bomba de combustible de alta presión - Control
24	2761	0.5	YL	Referencia baja de sensor de temperatura de refrigerante
25	6272	0.5	BK/VT	Señal de sensor de cigüeñal 60X
26	6271	0.5	LG	Referencia baja de sensor de cigüeñal 60X
27	2122	0.5	LB/WT	Control de ignición (2)
28	2127	0.5	LG/GY	Control de ignición (7)
29	2128	0.5	VT/WT	Control de ignición (8)
30	2121	0.5	LB/VT	Control de ignición (1)
31	2129	0.5	BK/LB	Banco 1 de referencia baja de control de ignición
32	7300	0.75	VT/BK	Actuador bajo de bomba de combustible de alta presión - Control
33	5275	0.5	YL/VT	Sensor de admisión de posición de árbol de levas (1)
34	5300	0.5	GY/LB	Voltaje de suministro de sensor de admisión de posición de árbol de levas (1)
39	5284	0.5	VT/BR	Solenoide de entrada de corrector de fase de árbol de levas (1)
45	4804	0.5	GY/LB	Cilindro de control de alto voltaje de inyector directo de combustible (DFI) (4)
46	4802	0.5	LB	Cilindro de control de alto voltaje de inyector directo de combustible (DFI) (2)
47	4806	0.5	VT/LG	Cilindro de control de alto voltaje de inyector directo de combustible (DFI) (6)
48	4808	0.5	GY	Cilindro de control de alto voltaje de inyector directo de combustible (DFI) (8)
49	4803	0.5	LG	Cilindro de control de alto voltaje de inyector directo de combustible (DFI) (3)
50	4807	0.5	YL/GY	Cilindro de control de alto voltaje de inyector directo de combustible (DFI) (7)
51	4805	0.5	WT/LG	Cilindro de control de alto voltaje de inyector directo de combustible (DFI) (5)





52	4801	0.5	BR	Cilindro de control de alto voltaje de inyector directo de combustible (DFI) (1)
53	5301	0.5	BK/LG	Referencia baja de sensor de admisión de posición de árbol de levas
59	6753	0.5	BK/BR	Referencia baja de retorno W de corrector de fase de árbol de levas
65	4904	0.5	GY/WT	Cilindro de suministro de alto voltaje de inyector directo de combustible (DFI) (4)
66	4902	0.5	LB/GY	Cilindro de control de alto voltaje de inyector directo de combustible (DFI) (2)
67	4906	0.5	VT/GY	Cilindro de control de alto voltaje de inyector directo de combustible (DFI) (6)
68	4908	0.5	GY/WT	Cilindro de control de alto voltaje de inyector directo de combustible (DFI) (8)
69	4903	0.5	LG/GY	Cilindro de control de alto voltaje de inyector directo de combustible (DFI) (3)
70	4907	0.5	WT/YL	Cilindro de control de alto voltaje de inyector directo de combustible (DFI) (7)
71	4905	0.5	LG/WT	Cilindro de control de alto voltaje de inyector directo de combustible (DFI) (5)
72	4901	0.5	BR/WT	Cilindro de control de alto voltaje de inyector directo de combustible (DFI) (1)
73	451A	2.5	BK/WT	Conexión a tierra de señal

\* Depende del arnés

Se pretende que estas especificaciones sean un complemento para los manuales de servicio GM. No se pretende que estas especificaciones reemplace las prácticas de servicio completas y detalladas explicadas en los manuales de servicio GM.

La información contenida en esta publicación se presenta sin ninguna garantía. El usuario asume completamente todo el riesgo por su uso. El diseño de componentes específicos, los procedimientos mecánicos, y las calificaciones de los lectores están más allá del control del editor, y por lo tanto el editor declina cualquier responsabilidad incurrida en conexión con el uso de la información provista en esta publicación.

Chevrolet, Chevy, el Emblema de Corbatín Chevrolet, General Motors, y GM son marcas comerciales registradas de General Motors Corporation.