



SP350/357 Deluxe Engine Specifications

Specifications Part Number 19367083

This SP350/357 Deluxe Crate Engine documentation should be used in conjunction with the SP350/357 long block instruction sheet. The documentation included within this information packet builds on the SP350/357 long block information. Please locate the SP350/357 long block information and begin there. This is the second section of the instruction for the SP350/357 deluxe engine assembly.

Thank you for choosing Chevrolet Performance as your high performance source. Chevrolet Performance is committed to providing proven, innovative performance technology that is truly.... more than just power. Chevrolet Performance parts are engineered, developed and tested to exceed your expectations for fit and function. Please refer to our catalog for the Chevrolet Performance parts authorized center nearest you or visit our website at www.chevroletperformance.com.

This publication provides general information on components and procedures which may be useful when installing or servicing a SP350/357 Deluxe Engine. Please read this entire publication before starting work. Also, please verify that all of the components listed in the package contents section below were shipped in the kit.

The information below is divided into the following sections: package contents, component information, SP350/357 Deluxe Engine specifications, additional parts that you may need to purchase, torque specifications, and a service parts list.

The SP350/357 Deluxe Engine incorporates modern technology in a package that can be installed in applications where 265-400ci small block Chevrolet V-8's were originally used. This complete engine is assembled using brand new, premium quality components. Due to the wide variety of vehicles in which a SP350/357 Deluxe Engine can be installed; some procedures and recommendations may not apply to specific applications.

The SP350/357 Deluxe Engine is manufactured on production tooling; consequently, you may encounter dissimilarities between the SP350/357 Deluxe Engine assembly and previous versions of the small block V-8. In general, items such as motor mounts, accessory drives, exhaust manifolds, etc. can be transferred to a SP350/357 Deluxe when it is installed in a vehicle originally equipped with a small block V-8 engine. However, as noted in the following sections, there may be minor differences between a SP350/357 Deluxe Engine and an older small block V-8 engine. These differences may require modifications or additional components not included with the SP350/357 Deluxe Engine. When installing a SP350/357 Deluxe Engine in a vehicle not originally equipped with a small block V-8, it may be necessary to adapt or fabricate various components for the cooling, fuel, electrical, and exhaust systems.

It is not the intent of these specifications to replace the comprehensive and detailed service practices explained in the Chevrolet service manuals. For information about warranty coverage, please contact your local Chevrolet Performance dealer.

Observe all safety precautions and warnings in the service manuals when installing a SP350/357 Deluxe Engine in any vehicle. Wear eye protection and appropriate protective clothing. When working under or around the vehicle support it securely with jackstands. Use only the proper tools. Exercise extreme caution when working with flammable, corrosive, and hazardous liquids and materials. Some procedures require special equipment and skills. If you do not have the appropriate training, expertise, and tools to perform any part of this conversion safely, this work should be done by a professional.

The information contained in this publication is presented without any warranty. All the risk for its use is entirely assumed by the user. Specific component design, mechanical procedures, and the qualifications of individual readers are beyond the control of the publisher, and therefore the publisher disclaims all liability incurred in connection with the use of the information provided in this publication.

Legal and Emissions Information

This publication is intended to provide information about the SP350/357 Deluxe Engine and related components. This manual also describes procedures and modifications that may be useful during the installation of a SP350/357 Deluxe Engine. It is not intended to replace the comprehensive service manuals and parts catalogs which cover Chevrolet engines and components. Rather, it is designed to provide supplemental information in areas of interest to "do-it-yourself" enthusiasts and mechanics.

This publication pertains to engines and vehicles which are used off the public highways except where specifically noted otherwise. Federal law restricts the removal of any part of a federally required emission control system on motor vehicles. Further, many states have enacted laws which prohibit tampering with or modifying any required emission or noise control system. Vehicles which are not operated on public highways are generally exempt from most regulations, as are some special interest and pre-emission vehicles. The reader is strongly urged to check all applicable local and state laws.

Many of the parts described or listed in this manual are merchandised for off-highway application only, and are tagged with the "Special Parts Notice" reproduced here:

Special Parts Notice

This part has been specifically designed for Off-Highway application only. Since the installation of this part may either impair your vehicle's emission control performance or be uncertified under current Motor Vehicle Safety Standards, it should not be installed in a vehicle used on any street or highway. Additionally, any such application could adversely affect the warranty coverage of such an on-street or highway vehicle.

Chevrolet, Chevy, the Chevrolet Bow Tie Emblem, General Motors, and GM are all registered trademarks of the General Motors LLC.



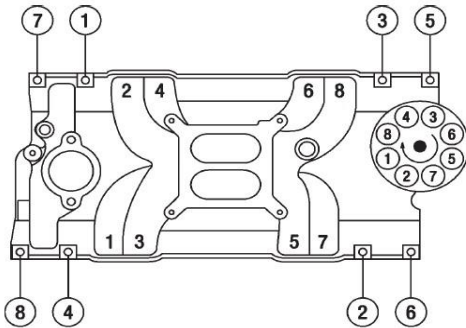
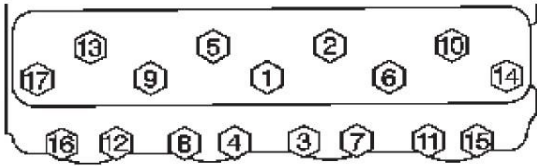
PERFORMANCE

Package contents:

Item	Description	Quantity
1	Engine Assembly	1
2	Long Block Instructions	1
3	Deluxe Instructions	1

SP350/357 Deluxe Engine Torque Specifications:

Camshaft retainer bolt/screw.....	106 in.-lbs. / 12 N·m
Camshaft sprocket bolt/screw.....	18 ft.-lbs. / 25 N·m
Connecting rod nut.....	.006" bolt stretch preferred 20 ft.-lbs. + additional 55° (45 ft.-lbs. if no angle gauge is available)/ 27 N·m + additional 55° (61 N·m if no angle gauge is available)
Crankshaft balancer bolt/screw.....	63 ft.-lbs. / 85 N·m
Crankshaft balancer pulley.....	35 ft.-lbs. / 47 N·m
Crankshaft bearing cap bolt/screw and stud Inner.....	70 ft.-lbs. Outer: 65 ft.-lbs. / Inner: 95 N·m Outer: 88 N·m
Crankshaft rear oil seal housing nut/bolt/screw.....	11 ft.-lbs. / 15 N·m
Cylinder head bolt /screw.....	65 ft.-lbs. / 88 N·m
Distributor bolt/screw.....	25 ft.-lbs. / 34 N·m
Drain plug.....	15 ft.-lbs. / 20 N·m
Engine block oil gallery plug.....	15 ft.-lbs. / 20 N·m
Engine front cover bolt screw.....	97 in.-lbs. / 11 N·m
Flywheel bolt/screw.....	65-70 ft.-lbs. / 88-95 N·m
Intake manifold bolt/screw and stud	
Final Pass.....	11 ft.-lbs. / 15 N·m
Oil filter adapter bolt/screw.....	18 ft.-lbs. / 24 N·m
Oil level indicator tube bolt/screw.....	106 in.-lbs. / 12 N·m
Oil pan assembly	
Corner nut/bolt/screw.....	15 ft.-lbs. / 20 N·m
Side rail bolt/screw.....	97 in.-lbs. / 11 N·m
Oil baffle nut.....	30 ft.-lbs. / 40 N·m
Oil pan drain plug.....	15 ft.-lbs. / 20 N·m
Oil pump bolt/screw to rear crankshaft bearing cap.....	66 ft.-lbs. / 90 N·m
Oil pump cover bolt/screw.....	80 in.-lbs. / 9 N·m
Spark plug.....	15 ft.-lbs. / 20 N·m (tapered seat)
Starter motor bolt/screw.....	35 ft.-lbs. / 48 N·m
Valve lifter guide retainer bolt/screw.....	18 ft.-lbs. / 24 N·m
Water pump bolt/screw.....	30 ft.-lbs. / 40 N·m



FIRING ORDER: 1-8-4-3-6-5-7-2



PERFORMANCE

Component Information:

Cylinder Heads:

The 350 HO Deluxe Engine has Vortec cast iron cylinder heads. These cylinder heads were first used on 1996 trucks with port fuel injection, RPO L31. The intake and exhaust ports are very similar to the Corvette 350 LT1 heads. The heads have 1.94" intake valves and 1.50" exhaust valves with pressed in 3/8" studs. The water passages are the same as the original 1955 small block Chevy design. These cylinder heads have an eight (8) bolt intake manifold mounting pattern, four (4) bolts per cylinder head.

Intake Manifold:

This kit comes with a Chevrolet Performance dual plane intake manifold Chevrolet part number 12676887 designed for use with Vortec cylinder heads. This intake manifold was designed to use a Holley or Quadrajet carburetors. Does not have provisions for a hot air choke.

Ignition System:

The HEI (High Energy Ignition) distributor part number 93440806 included with the SP350/357 Deluxe engine and is a self-contained ignition system that includes a magnetic pickup, a module, a coil, a rotor, and a cap. The HEI's large diameter cap minimizes arcing and cross-firing between adjacent spark plug terminals. The cap's male terminals provide a reliable, positive connection for the spark plug leads. However, the HEI's large diameter cap may interfere with other underhood components in vehicles not originally equipped with HEI ignition systems.

Check for adequate clearance before installation. This HEI distributor has a hardened (melonized) drive gear that is compatible with a steel camshaft. Use of a non-hardened distributor gear will result in excessive wear. The HEI system requires a 12 volt power supply for proper operation. The HEI ignition system should be connected directly to the battery with 10 or 12 gauge wire through a high quality ignition switch. If you are installing an HEI ignition in an early-model vehicle originally equipped with a point-type ignition, be sure to remove or bypass the resistor in the wiring harness to ensure the HEI receives 12 volts continuously. Use distributor connector package Part number 12167658, which includes connectors and wires for the HEI's tachometer and 12 volt terminals.

Set spark timing at 32° before top dead center (BTDC) at 4000 RPM with the vacuum advance line to the distributor disconnected and plugged. This setting will produce 32° of total advance at wide open throttle (WOT). The HEI vacuum advance canister should remain disconnected. This engine is designed to operate using only the internal centrifugal advance to achieve the correct timing curve.

Oil Pan / Filter / Adapter / Dipstick:

The SP350/357 Deluxe engine includes an oil pan part number 12557558 the same pan as the production ZZ5. This is a four quart, right-hand dipstick oil pan and gasket.

The SP350/357 Deluxe engine assembly includes an oil filter adapter but no oil filter element. The SP350/357 uses an AC # PF454 oil filter.

The oil dipstick for the SP350/357 Deluxe engine is on the right-hand (passenger) side of the block and is included with the SP350/357 Deluxe engine.

Carburetor:

A 670 cfm Holley four-barrel carburetor with vacuum operated secondaries and electric choke is included with the SP350/357 Deluxe engine. You may need to change jets and or adjust your carburetor to suit your environment (i.e. altitude, ambient temperature and humidity), exhaust system configuration and driving style.

NOTE: To achieve the best Air/Fuel distribution while conducting the dyno testing at the GM Performance and Racing facility, the main jets and power valve were installed in the carburetor as follows: JETS: 76 in the REAR and 64 in the FRONT. POWER VALVE: 10.5 in. Hg

Spark Plugs / Spark Plug Wires:

The SP350/357 Deluxe engine's cast iron cylinder heads have straight spark plugs. Check for spark plug and wire clearance when using exhaust manifolds or aftermarket headers designed for straight plugs. Sparkplug wires, Chevrolet part number 12361051 are installed on the SP350/357 Deluxe engine. These wires have 90° sparkplug boots, and the Chevrolet Performance logo.

Caution

This engine assembly needs to be filled with oil and primed. You should add the specified oil (see start-up instructions) to your new engine. Check the engine oil level on the dipstick and add accordingly.

Start-up and Break-in Procedures

1. After installing the engine, ensure the crankcase has been filled with 10w30 motor oil (non-synthetic) to the recommended oil fill level on the dipstick. Also check and fill as required any other necessary fluids such as coolant, power steering fluid, etc.
2. The engine should be primed with oil prior to starting. Follow the instructions enclosed with the tool. To prime the engine, first rotate the engine to TDC and remove the distributor to allow access to the oil pump drive shaft. Note the position of the distributor before removal. Install the oil priming tool, 141-955 from our licensed partner www.factoryperformanceparts.com. Using a 1/2" dill motor, rotate the engine oil priming tool clockwise for three minutes. While you are priming the engine, have someone else rotate the crankshaft clockwise to supply oil throughout the engine and to all the bearing surfaces before the engine is initially started. This is the sure way to get oil to the bearings before you start the engine for the first time. Also, prime the engine if it



PERFORMANCE

sits for extended periods of time. Install Distributor as follows: (1) Locate cylinder #1 top dead center (TDC). (2) Rotate engine to 12 degrees before top dead center (BTDC). (3) Align Rotor with the cylinder #1 terminal on the Distributor.

- a. After the engine has been installed in the vehicle, recheck the oil level and add oil as required. It is also good practice to always recheck the ignition timing after removal and reinstallation of the distributor. See step 4 or engine specifications for the proper timing information.
- 3. Safety first. If the vehicle is on the ground, be sure the emergency brake is set, the wheels are chocked and the car cannot fall into gear. Verify everything is installed properly and nothing was missed.
- 4. Start the engine and adjust the initial spark timing. Set spark timing at 32 degrees before top dead center (BTDC) at 4,000 RPM with the vacuum advance line to the distributor disconnected and plugged. The HEI vacuum advance canister should remain disconnected. This engine is designed to operate using only the internal centrifugal advance to achieve the correct timing curve. Rotate the distributor counterclockwise to advance the timing.
- 5. When possible, you should always allow the engine to warm up prior to driving. It is a good practice to allow the oil sump and water temperature to reach 180°F before towing heavy loads or performing hard acceleration runs.
- 6. Once the engine is warm, set the total advance timing to 32° at 4000 RPM.
- 7. The engine should be driven at varying loads and conditions for the first 30 miles or one hour without wide open throttle (WOT) or sustained high RPM accelerations.
- 8. Run five or six medium throttle (50%) accelerations to about 4000 RPM and back to idle (0% throttle) in gear.
- 9. Run two or three hard throttle (WOT 100%) accelerations to about 4000 RPM and back to idle (0% throttle) in gear.
- 10. Change the oil and filter. Replace with 10w30 motor oil (non synthetic) and a PF454 AC Delco oil filter. Inspect the oil and the oil filter for any foreign particles to ensure that the engine is functioning properly.
- 11. Drive the next 500 miles under normal conditions or 12 to 15 engine hours. Do not run the engine at its maximum rated engine speed. Also, do not expose the engine to extended periods of high load.
- 12. Change the oil and filter. Again, inspect the oil and oil filter for any foreign particles to ensure that the engine is functioning properly.
- 13. Do not use synthetic oil for break-in. It would be suitable to use synthetic motor oil after the second recommended oil change and mileage accumulation. In colder regions, a lower viscosity oil may be required for better flow characteristics.
- 14. Mobil 1 5w30 synthetic motor oil was used for dyno and durability testing.

SP350/357 Deluxe Engine Specifications:

Displacement.....	350 cubic inches
Bore x Stroke.....	4.00 inch x 3.48 inch
Compression.....	9.1:1
Block.....	Cast iron, four-bolt intermediate mains
Cylinder Head.....	Cast iron, 23° valve angle
Valve Diameter (Intake/Exhaust)...	1.94"/1.50"
Chamber Volume.....	64cc
Crankshaft.....	Nodular iron, 1 piece rear seal
Connecting Rods.....	Forged, powdered metal, 3/8" bolts
Pistons.....	Cast aluminum
Camshaft.....	Hydraulic Roller Follower
Lift.....	0.473" intake, 0.473" exhaust
Duration.....	215° intake, 223° exhaust @.050" tappet lift
Centerline.....	109° ATDC intake, 107° BTDC exhaust
Rocker Arm Ratio.....	1.5:1 (flat tappet)
Timing Chain.....	Heavy Duty Roller
Oil Pan.....	4-quart
Oil Pressure (Normal).....	40 psi @ 2000 RPM
Oil Filter.....	AC Delco part # - 25324052 or PF454
Fuel.....	Premium unleaded
Maximum Engine Speed.....	5600 RPM
Spark Plugs.....	AC Delco part # R43LTS
Spark Timing.....	32 degrees BTDC @ 4000 RPM
Firing Order.....	1-8-4-3-6-5-7

Note: Information may vary with application. All specifications listed are based on the latest production information available at the time of printing.



PERFORMANCE

Additional parts that may be needed:

Flywheel / Flexplate:

Like all small block V-8 engines produced since 1986, the SP350/357 Deluxe engine has a 3.00" diameter flywheel flange bolt pattern. Small block V-8 engines produced from 1958 through 1985 had a 3.58" diameter flywheel flange bolt pattern. This change in bolt circle diameter was made to accommodate a leak-resistant one-piece rear main seal. Due to revisions in the crankshaft design, a SP350/357 Deluxe engine must have a counterweighted flywheel (or flexplate) for proper balance. The SP350/357 Deluxe engine includes a flexplate part number 14088765. Additional flywheels and flexplates are available from the chart below.

SP350/357 Deluxe Engine - Manual Transmission Flywheels

<u>Part Number</u>	<u>Outside Diameter</u>	<u>Clutch Diameter</u>	<u>Starter Ring Gear Teeth</u>	<u>Notes</u>
14088648	14"	11.0, 11.85"	168	For one-piece crank seal
14088646	12 3/4"	10.4	153	Lightweight nodular iron flywheel, weighs approximately 16 lbs.; for one-piece crank seal
14088650	12 3/4"	10.4"	153	Standard weight flywheel; for one-piece crank seal

SP350/357 Deluxe Engine - Automatic Transmission Flexplates

<u>Part Number</u>	<u>Outside Diameter</u>	<u>Torque Converter Pattern</u>	<u>Starter Ring Gear Teeth</u>	<u>Notes</u>
14088765	12 3/4"	10.75"	153	For one-piece crank seal
12554824	14"	11.50"	168	Heavy-duty flexplate with increased thickness for one-piece crank seal
14088761	14"	10.75, 11.50"	168	For one-piece crank seal

Pilot Bearing:

You must install a pilot bearing in the rear of the crankshaft if the engine will be used with a manual transmission. The pilot bearing aligns the transmission input shaft with the crankshaft centerline. A worn or misaligned pilot bearing can cause shifting problems and rapid clutch wear. A roller pilot bearing part number 14061685 is recommended for this engine. This heavy-duty bearing adds an extra margin of reliability to a high performance drivetrain.

Starter:

The starter must be matched to flywheel (or flexplate) diameter when installing a SP350/357 engine assembly. Small diameter flywheels are 12 3/4" diameter, and have starter ring gears with 153 teeth. Large diameter flywheels are 14" in diameter, and have 168 teeth on the starter ring gear. This difference in flywheel diameters requires two different starter housings. Starter noses used with 14" diameter flywheels have two offset bolt holes; starters used with 12 3/4" diameter flywheels have bolt holes that are straight across from each other.

NOTE: Chevrolet starter motors use special shouldered mounting bolts, which register the starter on the block.

The following starters and hardware can be used with the SP350/357 engine assembly:

- 10496870 Heavy-duty, remanufactured starter for 12 3/4" diameter flywheel/flexplate
- 1876552 Heavy-duty starter for 14" diameter flywheel/flexplate
- 14097278 Bolt, starter mounting, long, for heavy-duty starter
- 14097279 Bolt, starter mounting, short, for heavy-duty starter
- 10455709 Remanufactured permanent magnet gear reduction (PMGR) starter for 12 3/4" diameter flywheel/flexplate (10 lb.)
- 19302919 Permanent magnet gear reduction (PMGR) starter for 14" diameter flywheel/flexplate (10 lb.)
- 14037733 Bolt, starter mounting, inner for 12 3/4" PMGR starter
- 12338064 Bolt, starter mounting, outer for 12 3/4" PMGR starter; also for 14" PMGR starter (2 required)

Fuel Pump:

The SP350/357 Deluxe engine does not include a fuel pump. However, it does have a mechanical fuel pump boss with a block off plate installed. The fuel system must be capable of supplying adequate fuel volume at a minimum of 6 psi pressure when the engine is operating at wide open throttle (WOT). A high volume in-line electric fuel pump is available from Chevrolet Performance part number 25115899. This heavy duty pump flows 72 gallons per hour at 6-8 psi outlet pressure.

Headers:

A SP350/357 Deluxe engine can be equipped with a header exhaust system for maximum performance in applications where a nonproduction exhaust system is legal. For street performance and limited competition applications, the recommended header configuration is 1 3/4" diameter primary pipes, 32 to 36 inches long, with 3" diameter collectors. Use 2 1/2" diameter tailpipes with a balance tube ("H" pipe) and low restriction mufflers.

Accessory Drive Brackets:

Two Accessory Drive Kits are available from Chevrolet Performance to fit the SP350/357 engine. Please see your Chevrolet Performance dealer or visit us on the web at www.chevroletperformance.com.



PERFORMANCE

Spark Plugs / Spark Plug Wires:

The SP350/357 Deluxe engine comes with spark plugs part number 19300749 (AC # R44LTS).

When installing the engine in a vehicle originally equipped with a small block V-8 with HEI ignition, standard replacement spark plug wires can be used. The recommended high performance 8 mm diameter spark plug wire set Chevrolet Bowtie Logo wires part numbers are 12361051 (90° spark plug boots) and GM Racing wires 24502521 (135° spark plug boots). The 135° spark plug boot sets are recommended when routing the spark plug wires over the valve covers, 90° spark plug boot sets are recommended when routing the spark plug wires under the exhaust headers.

Rocker Covers:

The SP350/357 Deluxe engine comes equipped with black painted stamped steel, center hold-down bolt rocker covers. A wide variety of valve cover choices are available at your Chevrolet Performance dealer or visit us on the web at www.chevroletperformance.com.

Part Number	QTY	Name
19367082	1	Engine Asm,350cid/357hp Vortec
12676887	1	Manifold Pkg,Int
89017465	1	Gasket Kit,Int Manif
10202456	1	Thermostat Asm-Eng Cool
10108470	1	Outlet-Wat
10105135	1	Gasket-Wtr Otlt
93440806	1	Distributor Asm
19301706	1	Balancer Asm-Cr/Shf
09440024	1	Bolt, Balancer
12594364	1	Washer-Cr/Shf Pul Hub
14088765	1	Flexplate
14088764	6	Bolt/Screw-Flywhl
6487779	1	Valve Asm Unit-Cr/Case Vent
19300749	8	Spark Plug
12361051	1	Wire Kit,Sp/Plug Sb/V8 90 De
12342011	1	Tab, Engine Timing Chrome
19170092	1	Carburetor Pkg,670 Cfm 4bbl
12342080	1	Air Cleaner Kit, Chrome
12453170	1	Bearing,Cm/Shf #1
12453171	2	BEARING,CM/SHF #2 And #5
12453172	2	BEARING,CM/SHF #3 And #4
3956686	3	Cap,Cr/Shf Brg
12561388	10	Bolt/Screw,Cr/Shf Brg C
3877669	6	Bolt/Screw,Cr/Shf Brg C
10120990	3	Bearing-Cr/Shf Upr/Lwr
89060460	1	Bearing-Cr/Shf Upr/Lwr (Thrust)
10168527	16	Bolt/Screw-Cyl Hd (Short)
10168526	4	Bolt/Screw-Cyl Hd (Med)
10168525	14	Bolt/Screw-Cyl Hd (Long)
10105117	2	Gasket-Cyl Hd
12551154	1	Tube Asm-Oil Lvl Ind
12551144	1	Dipstick (Indicator Asm-Oil Lvl)
10046089	2	Gasket-Vlv Rkr Arm Cvr
10243070	1	Crankshaft,
14061685	1	Bearing-Clu Pilot
14080362	1	Stud-Cr/Shf Rr Oil Seal Ret
106751	2	Key-Crankshaft
10108688	8	Rod Asm-Conn
12514101	8	Piston Asm (W/Pin And Rings)
88894219	8	Ring Kit
12493713	8	Bearing Kit, Conn Rod
12561389	3	Stud-Cr/Shf Brg Cap
12557558	1	Pan,Oil
12553058	1	Reinforcement-Oil Pan
12553059	1	Reinforcement-Oil Pan
10108676	1	Gasket-Oil Pan
12550042	1	Screen Asm,O/Pmp
93442037	1	Pump Asm,Oil
10168528	1	Cover Asm,O/Pmp
3998287	1	Shaft-O/Pmp Drv



PERFORMANCE

Part Number	QTY	Name
3764554	1	Retainer-O/Pmp Drv Shf
12554816	1	Deflector-Cr/Shf Oil
12558060	2	Head Asm-Cyl (W/ Valves)
10241743	8	Valve,Int
12550909	8	Valve Asm,Exh
10212811	16	Spring,Vlv
3814692	AR	Stud,Vlv Rkr Arm Ball (.003" Os)
3815892	AR	Stud,Vlv Rkr Arm Ball (.013" Os)
24503856	32	Key,Vlv Stem
10212810	8	Seal,Int Vlv Stem Oil
12564852	8	Seal,Exh Vlv Stem Oil
10241744	16	Cap,Vlv Spr
12342089	1	Cover, Engine Front - Chrome
10108435	1	Gasket-Eng Frt Cvr
14088784	1	Sprocket-Cr/Shf
12552129	1	Sprocket-Cm/Shf
14088783	1	Chain Asm-Tmg
12677151	1	Camshaft,Hyd Roller Lifter
10241740	16	Rod Asm-Vlv Push
17120735	16	Lifter Asm-Vlv
10066063	16	Arm-Vlv Rkr
10144053	16	Ball-Vlv Rkr Arm
12557390	16	Nut-Vlv Rkr Arm
12555289	1	Cover Kit, valve Cover - Black
12550002	8	Guide, Valve Lifter
14101116	1	Retainer, Valve Lifter Guide
14093637	5	Bolt/Screw, Valve Lifter Guide
10168501	1	Retainer, Camshaft
9424877	3	Bolt, Cam Sprocket

Note: All components may vary due to running changes.

SP350-357 Deluxe Engine

REV 190C20

PART No.

19367083

SHEET

7 of 24

ALL INFORMATION WITHIN ABOVE BORDER TO BE PRINTED EXACTLY AS SHOWN ON 8.5 x 11 WHITE 16 POUND NON-BOND RECYCLABLE PAPER. PRINT ON BOTH SIDES. EXCLUDING TEMPLATES. TO BE UNITIZED IN ACCORDANCE WITH GMCCA SPECIFICATIONS.

Date	Revision	Auth	DR
30MR17	Init Rel – Jim Covey	NA	
190C20	Rev – Alin Dragoiu	NA	

**Title Installation Instructions
SP350-357 Deluxe Engine**

PART No. **19367083**

SHEET **7 of 24**



Caractéristiques techniques du moteur de luxe SP350/357

Numéro de référence des spécifications : 19367083

Le présent document du moteur en caisse de luxe SP350/357 doit être utilisé conjointement avec la fiche d'instruction du moteur à bloc long SP350/357. Le document inclus dans cet ensemble informatif se base sur les renseignements du moteur à bloc long SP350/357. Veuillez repérer les informations relatives au bloc long SP350/357 et commencer à cet endroit. Ceci est la deuxième section des instructions de montage du moteur de luxe SP350/357.

Nous vous remercions d'avoir choisi Chevrolet Performance comme source de haute performance. Chevrolet Performance s'est engagée à offrir une technologie de rendement éprouvée et novatrice qui est réellement... beaucoup plus que de la puissance. Les pièces de Chevrolet Performance ont été conçues, élaborées et mises à l'essai de manière à dépasser vos attentes de réglage précis et de fonction. Veuillez vous reporter à notre catalogue pour connaître le centre Chevrolet Performance Parts autorisé le plus près de chez vous ou visitez notre site Web à www.chevroletperformance.com.

La présente publication offre de l'information d'ordre général sur les composants et les procédures pouvant s'avérer utile lors de l'installation ou de l'entretien du moteur de luxe SP350/357. Veuillez lire en entier la présente publication avant de commencer à travailler. Veuillez également vérifier que tous les composants énumérés dans la section de contenu de l'ensemble ci-dessous ont été envoyés avec la trousse.

L'information ci-dessous est divisée dans les sections suivantes : contenu de l'ensemble, renseignements sur les composants, spécifications du moteur de luxe SP350/357, pièces supplémentaires qu'il faut peut-être acheter, spécifications de couple et une liste de pièces de rechange.

Le moteur de luxe SP350/357 bénéficie d'une technologie moderne dans un ensemble qui peut être monté dans la plupart des applications où le V8 à bloc compact Chevrolet 265-400ci était précédemment utilisé. Ce moteur complet est monté en utilisant des composants neufs de première qualité. En raison du grand nombre de véhicules sur lesquels le moteur de luxe SP350/357 peut être monté, certaines procédures et recommandations peuvent ne pas s'appliquer aux applications particulières.

Le moteur SP350/357 Deluxe est fabriqué sur l'outillage de production actuel ; par conséquent, il est possible de rencontrer des dissemblances entre le moteur SP350/357 Deluxe et les précédentes versions du V8 à bloc compact. En général, les éléments tels que les fixations du moteur, les entraînements d'accessoires, les collecteurs d'échappement, etc. peuvent être transférés sur un SP350/357 Deluxe lorsqu'il est monté sur un véhicule équipé à l'origine d'un moteur V8 à bloc compact. Toutefois, comme l'indiquent les sections suivantes, il peut exister de petites différences entre un moteur de luxe SP350/357 et un moteur V8 à bloc compact plus ancien. Ces différences peuvent nécessiter des modifications ou des composants supplémentaires non compris dans le moteur de luxe SP350/357. Lors du montage d'un moteur de luxe SP350/357 sur un véhicule non équipé à l'origine d'un V8 à bloc compact, il peut être nécessaire d'adapter ou de fabriquer divers composants pour les systèmes de refroidissement, de carburant, électriques et d'échappement.

Ces caractéristiques techniques ne sont pas destinées à remplacer les pratiques d'entretien complètes et détaillées expliquées dans les manuels d'entretien Chevrolet.

Pour obtenir de l'information sur l'étendue de la garantie, prière de communiquer avec le concessionnaire Chevrolet Performance local.

Respecter toutes les précautions et tous les avertissements en matière de sécurité présentés dans les manuels d'entretien au moment de monter un moteur de luxe SP350/357 dans n'importe quel véhicule. Porter un protecteur pour la vue et des vêtements de protection appropriés. Lorsqu'on travaille sous ou autour d'un véhicule, le soutenir solidement à l'aide de chandelles. Utiliser seulement les outils appropriés. Faire preuve d'extrême prudence lors de travaux avec des liquides ou des matériaux inflammables, corrosifs ou dangereux. Certaines procédures nécessitent l'utilisation d'un équipement spécial et des habiletés particulières. Si vous ne possédez pas la formation, l'expertise et les outils nécessaires pour effectuer toute partie de cette conversion en toute sécurité, ce travail devrait être réalisé par un professionnel.

Les renseignements contenus dans cette publication sont présentés sans aucune garantie. Tout risque encouru pendant l'utilisation de cette publication est entièrement assumé par l'utilisateur. La conception de composant spécial, les procédures mécaniques et les qualifications de chaque lecteur sont hors du contrôle de l'éditeur et c'est pourquoi il décline toute responsabilité afférente en lien avec l'utilisation des renseignements fournis dans cette publication.

SP350-357 Deluxe Engine

REV 190C20

PART No.

19367083

SHEET

8 of 24

ALL INFORMATION WITHIN ABOVE BORDER TO BE PRINTED EXACTLY AS SHOWN ON 8.5 x 11 WHITE 16 POUND NON-BOND RECYCLABLE PAPER. PRINT ON BOTH SIDES, EXCLUDING TEMPLATES. TO BE UNITIZED IN ACCORDANCE WITH GMCCA SPECIFICATIONS.

Date	Revision	Auth	DR
30MR17	Init Rel – Jim Covey	NA	
190C20	Rev – Alin Dragoiu	NA	

Title Installation Instructions
SP350-357 Deluxe Engine

PART No. 19367083

SHEET 8 of 24



Information juridique et relative aux émissions

La présente publication a pour objet d'offrir des renseignements relatifs au moteur de luxe SP350/357 et les composants connexes. Le présent manuel décrit également les procédures et les modifications pouvant être utiles pendant la pose d'un moteur de luxe SP350/357. Ces renseignements ne sont pas destinés à remplacer les manuels de réparation complets et les catalogues de pièces en matière de moteurs et de composants de Chevrolet. Plutôt, cette publication a été conçue pour offrir des renseignements supplémentaires sur les matières pouvant intéresser les « bricoleurs » et les mécaniciens.

Cette publication s'applique aux moteurs et aux véhicules qui sont utilisés hors des voies publiques, sauf indication contraire expresse. Les règlements fédéraux restreignent la dépose des véhicules automobiles de toute partie d'un système antipollution exigé par la loi fédérale. En outre, de nombreux États ont établi des lois qui interdisent le traficage ou la modification de tout système antipollution ou antibruit exigé par la loi. En règle générale, les véhicules qui ne roulent pas sur les voies publiques, tout comme certains véhicules d'intérêt spécial et pré-émissions, sont exempts de la plupart de la réglementation. On suggère fortement au lecteur de consulter tous les règlements municipaux et provinciaux applicables.

Plusieurs des pièces qui sont décrites ou énumérées dans le présent manuel sont commercialisées pour des application hors route seulement et elles portent l'étiquette « Avis sur les pièces spéciales » (Special Parts Notice) qui est reproduite ici.

Avis sur les pièces spéciales

Cette pièce a été conçue spécifiquement pour une application hors route seulement. Puisque la pose de cette pièce pourrait nuire au rendement antipollution du véhicule ou donner lieu à son manque d'homologation en vertu des normes de sécurité actuelles des véhicules automobiles, celle-ci ne doit pas être posée dans un véhicule qui sera utilisé sur une voie publique ou une autoroute. En outre, une telle application pourrait donner lieu à l'annulation de la garantie d'un tel véhicule sur route ou autoroute.

Chevrolet, Chevy, l'emblème Chevrolet, General Motors et GM sont des marques déposées de General Motors LLC.

Contenu de l'emballage :

Article	Description	Quantité
1	Ensemble moteur	1
2	Instructions pour bloc long	1
3	Instructions Deluxe	1

Spécifications de couple de serrage du moteur de luxe SP350/357

Boulon/vis de maintien d'arbre à cames	106 lb po / 12 N·m
Boulon/vis de pignon d'arbre à cames	18 lb pi / 25 N·m
Écrou de bielle	Allongement de boulon de 0,006 po préféré à 20 lb pi + 55° de plus (45 lb pi si aucun indicateur d'angle n'est disponible) / 27 N·m + 55° de plus (61 N·m si aucun indicateur d'angle n'est pas disponible)
Boulon/vis d'amortisseur de vibrations du vilebrequin	63 lb pi / 85 N·m
Poulie d'amortisseur de vibrations du vilebrequin	35 lb pi / 47 N·m
Goujon, boulon/vis à chapeau de palier de vilebrequin intérieur	70 lb pi Extérieur : 65 lb pi / Intérieur : 95 N·m Extérieur : 88 N·m
Écrou/boulon/vis de carter de joint à huile arrière de vilebrequin	11 lb pi / 15 N·m
Boulon/vis de culasse	65 lb pi / 88 N·m
Boulon/vis d'allumeur	25 lb pi / 34 N·m
Bouchon de vidange	15 lb pi / 20 N·m
Bouchon de passage d'huile du bloc moteur	15 lb pi / 20 N·m
Boulon/vis de couvercle avant du moteur	97 lb po / 11 N·m
Boulon/vis de volant moteur	65-70 lb pi / 88-95 N·m
Goujon et boulon/vis de tubulure d'admission	
Dernier passage	11 lb pi / 15 N·m
Boulon/vis d'adaptateur du filtre à huile	18 lb pi / 24 N·m
Boulon/vis du tube indicateur de niveau d'huile	106 lb po / 12 N·m
Ensemble carter d'huile	
Écrou/boulon/vis de coin	15 lb pi / 20 N·m
Boulon/vis de rail latéral	97 lb po / 11 N·m
Écrou de déflecteur d'huile	30 lb pi / 40 N·m
Bouchon de vidange du carter d'huile	15 lb pi / 20 N·m
Boulon/vis de pompe à huile sur chapeau de palier arrière de vilebrequin	66 lb pi / 90 N·m
Boulon/vis du couvercle de pompe à huile	80 lb po / 9 N·m
Bougie d'allumage	15 lb pi / 20 N·m (siège conique)
Boulon/vis de démarreur	35 lb pi / 48 N·m
Boulon/vis de retenue de guide de poussoir de soupape	18 lb pi / 24 N·m
Boulon/vis de pompe à eau	30 lb pi / 40 N·m

SP350-357 Deluxe Engine

REV 190C20

PART No.

19367083

SHEET

9 of 24

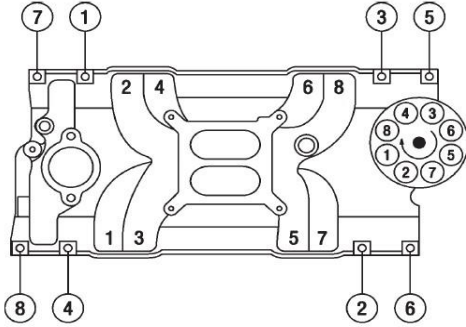
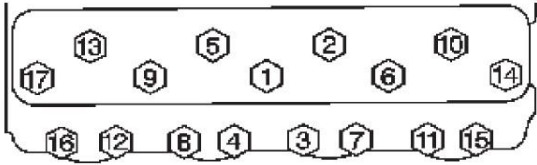
ALL INFORMATION WITHIN ABOVE BORDER TO BE PRINTED EXACTLY AS SHOWN ON 8.5 x 11 WHITE 16 POUND NON-BOND RECYCLABLE PAPER. PRINT ON BOTH SIDES EXCLUDING TEMPLATES. TO BE UTILIZED IN ACCORDANCE WITH GMCCA SPECIFICATIONS.

Date	Revision	Auth	DR
30MR17	Init Rel – Jim Covey	NA	
190C20	Rev – Alin Dragoiu	NA	

Title Installation Instructions	
SP350-357 Deluxe Engine	
PART No. 19367083	SHEET 9 of 24



PERFORMANCE



ORDRE D'ALLUMAGE : 1-8-4-3-6-5-7-2

Renseignements sur les composants :

Culasses :

Le moteur 350HO Deluxe est équipé de culasses en fonte Vortec. Ces culasses ont été utilisées en premier sur les camions 1996 dotés de l'injection de carburant par point (PFI), EFC L31. Les ports d'admission et d'échappement sont très similaires à ceux des culasses 350 LT1 de la Corvette. Les culasses contiennent des soupapes d'admission de 1,94 po et des soupapes d'échappement de 1,50 po avec goujons emmanchés à la presse de 3/8 po. Les passages d'eau sont les mêmes que ceux de la Chevy à bloc compact originale de 1955. Ces culasses sont montées avec une tubulure d'admission à huit (8) boulons, quatre (4) boulons par culasse.

Tubulure d'admission :

Cette trousse comprend une tubulure d'admission deux plans de Chevrolet Performance, numéro de pièce Chevrolet 12676887, conçue pour une utilisation avec les culasses Vortec. Cette tubulure d'admission a été conçue pour utiliser des carburateurs Holley ou Quadrajét. Il ne comporte pas de dispositions pour un étrangleur à air chaud.

Système d'allumage :

L'allumeur HEI (allumage à haute énergie), numéro de pièce 93440806, inclus dans le moteur de luxe SP350/357 est un système d'allumage autonome comprenant un capteur magnétique, un module, une bobine, un rotor et un chapeau. Le grand diamètre du capot du HEI réduit les arcs électriques et l'allumage croisé entre les bornes des bougies adjacentes. Les bornes mâles du capot permettent le branchement fiable et positif des fils de bougies. Toutefois, le grand diamètre du capot du HEI peut gêner les autres composants sous le capot dans des véhicules non équipés à l'origine de systèmes d'allumage HEI.

Vérifier le bon espacement avant la pose. L'allumeur HEI comporte un pignon d'entraînement durci (mélonisé) compatible avec un arbre à cames en acier. L'utilisation d'une roue d'allumeur non trempé entraîne une usure excessive. Le système HEI nécessite une alimentation électrique en 12 V pour fonctionner correctement. Le système d'allumage HEI doit être directement raccordé à la batterie avec du câble de calibre 10 ou 12, par un contacteur d'allumage de haute qualité. Si l'on pose un allumage HEI sur un ancien modèle de véhicule équipé à l'origine d'un allumage à point d'allumage, veiller à déposer ou à by-passer la résistance du faisceau de câbles pour s'assurer que le HEI reçoit 12 volts en permanence. Utiliser l'ensemble de connecteur d'allumeur, numéro de pièce 12167658, qui comprend des connecteurs et des câbles pour le compte-tours de l'allumeur HEI et les bornes 12 volts.

Régler le point d'allumage à 32° avant le point mort haut (AvPMH) à 4 000 tr/min, avec la conduite d'avance à dépression vers l'allumeur débranchée et bouchée. Ce réglage donne 32° d'avance totale avec le papillon grand ouvert (pleins gaz). Le boîtier d'avance à dépression du système d'allumage à haute énergie (HEI) doit rester débranché. Ce moteur est conçu pour fonctionner uniquement avec l'avance centrifuge interne, pour obtenir la bonne courbe de distribution.

Carter d'huile / Filtre / Adaptateur / Jauge d'huile :

Le moteur de luxe SP350/357 comprend un carter d'huile numéro de pièce 12557558; il s'agit du même carter que la pièce d'origine Z25. Il s'agit d'un carter d'huile à jauge de niveau d'huile droite de quatre pintes et d'un joint.

Le moteur de luxe SP350/357 comprend un adaptateur de filtre à huile, mais aucun élément de filtre à huile. Le moteur de luxe SP350/357 utilise un filtre à huile AC n° PF454.

La jauge d'huile du moteur de luxe SP350/357 est située sur le côté droit (passager) du bloc et est incluse dans le moteur de luxe SP350/357.

SP350-357 Deluxe Engine

REV 190C20

PART No.

19367083

SHEET

10 of 24

ALL INFORMATION WITHIN ABOVE BORDER TO BE PRINTED EXACTLY AS SHOWN ON 8.5 x 11 WHITE 16 POUND NON-BOND RECYCLABLE PAPER. PRINT ON BOTH SIDES. EXCLUDING TEMPLATES. TO BE UTILIZED IN ACCORDANCE WITH GMCCA SPECIFICATIONS.

Date	Revision	Auth	DR
30MR17	Init Rel – Jim Covey	NA	
190C20	Rev – Alin Dragoiu	NA	

**Title Installation Instructions
SP350-357 Deluxe Engine**

PART No. **19367083**

SHEET 10 of 24



Carburateur :

Un carburateur quatre corps Holley de 670 cfm avec secondaires à dépression et étrangleur électrique est inclus dans le moteur de luxe SP350/357. Il se peut qu'on doive modifier les gicleurs et/ou régler le carburateur pour l'adapter à l'environnement (par ex. altitude, température ambiante et humidité), à la configuration du système d'échappement et au style de conduite.

REMARQUE : Pour obtenir la meilleure répartition air/carburant pendant l'exécution du test dynamométrique à l'installation de performance et de course GM, les jets principaux et les soupape de puissance ont été posés dans le carburateur de la façon suivante : JETS : 76 à l'ARRIÈRE et 64 à l'AVANT. ROBINET ÉLECTRIQUE : 10,5 po Hg.

Bougies d'allumage / Câbles de bougies :

Les culasses en fonte du moteur de luxe SP350/357 sont équipées de bougies droites. Contrôler le jeu des bougies et des fils lors de l'utilisation de collecteurs d'échappement ou de collecteurs tubulaires du marché secondaire conçus pour des bougies droites. Des fils de bougie, numéro de pièce Chevrolet 12361051, sont installés sur le moteur de luxe SP350/357. Ces fils comportent des coiffes de bougie de 90° et portent le logo Chevrolet Performance.

Mise en garde

Ce moteur doit être rempli d'huile et amorcé. Il vous faut ajouter de l'huile spécifiée (voir les instructions au démarrage) à votre moteur neuf. Vérifier le niveau d'huile moteur sur la jauge d'huile et compléter au besoin.

Procédures de démarrage et de rodage

- Après avoir posé le moteur, s'assurer que le carter de vilebrequin a été rempli avec de l'huile moteur 10W30 (non synthétique) jusqu'au niveau de remplissage d'huile recommandé sur la jauge graduée. Vérifier et ajouter tout autre liquide nécessaire, comme du liquide de refroidissement, du liquide de direction assistée, etc.
- Le moteur doit être amorcé avec de l'huile avant de démarrer. Suivre les instructions fournies avec l'outil. Pour amorcer le moteur, commencer par le tourner au PMH et déposer l'allumeur pour permettre l'accès à l'arbre d'entraînement de la pompe à huile. Noter la position du distributeur avant de le déposer. Installer l'outil d'amorçe d'huile no 141-955 de notre partenaire agréé www.factoryperformanceparts.com. À l'aide d'un moteur de perceuse de 1/2 po, faire tourner l'outil d'amorçage d'huile moteur dans le sens horaire pendant trois minutes. Pendant l'amorçage du moteur, demander à quelqu'un d'autre de faire tourner le vilebrequin dans le sens horaire pour alimenter tout le moteur et toutes les surfaces des roulements en huile avant de faire démarrer le moteur. C'est la façon la plus sûre de faire parvenir l'huile aux roulements avant de faire démarrer le moteur pour la première fois. Amorcer également le moteur s'il n'a pas tourné pendant une longue période. Poser le distributeur comme suit : (1) Repérer le point mort haut (PMH) du cylindre n° 1. (2) Faire tourner le moteur sur 12 degrés avant le point mort haut (AvPMH). (3) Aligner le rotor sur la borne du cylindre n° 1 du distributeur.
 - Après avoir monté le moteur sur le véhicule, revérifier le niveau d'huile et ajouter de l'huile au besoin. Il est également conseillé de toujours revérifier le calage de d'allumage après avoir déposé et reposé le distributeur. Voir l'Étape 4 ou les caractéristiques techniques du moteur pour se renseigner sur le calage correct.
- La sécurité d'abord. Si le véhicule est sur le sol, s'assurer que le frein de stationnement est engagé, que les roues sont calées et que le véhicule ne peut s'engager dans un rapport. Vérifier si tout est installé adéquatement et que rien ne manque.
- Démarrer le moteur et procéder au calage du point d'allumage initial. Régler le calage de l'allumage à 32 degrés avant le point mort haut (AvPMH) à 4 000 tr/min, avec la tringle de correcteur d'avance à dépression du distributeur débranchée et branchée. L'absorbeur d'avance à dépression HEI doit demeurer débranché. Ce moteur est conçu pour fonctionner uniquement avec l'avance centrifuge interne, pour obtenir la bonne courbe de distribution. Faire tourner le distributeur dans le sens antihoraire pour avancer l'allumage.
- Lorsque cela est possible, vous devriez toujours permettre au moteur de se réchauffer avant de conduire. Une bonne pratique est de permettre à la température du carter d'huile et de l'eau d'atteindre 180°F avant de tirer de lourdes charges ou de faire des courses à accélération brusque.
- Une fois que le moteur est chaud, régler l'avance totale de l'allumage à 32° à 4 000 tr/min.
- Le moteur devrait être entraîné à différentes charges et dans différentes conditions les 30 premiers milles ou pendant une heure sans être au régime maximal (WOT) ou sans subir d'accélération brusques du nombre de tours par minute.
- Effectuer cinq ou six accélérations à gaz moyens (50 %) jusqu'à environ 4 000 tr/min puis retourner à la marche au ralenti (0 % des gaz) en prise.
- Effectuer deux ou trois accélérations dures (pleins gaz à 100 %) jusqu'à environ 4 000 tr/min puis retourner à la marche au ralenti (0 % des gaz) en prise.
- Vidanger l'huile et remplacer le filtre. Remplacer l'huile par une huile moteur 10w30 (non synthétique) et remplacer le filtre à huile par un filtre PF454 AC Delco. Vérifier l'huile et le filtre à huile afin de repérer toute particule étrangère pour s'assurer que le moteur fonctionne correctement.
- Rouler pendant les 500 milles suivants en conditions normales ou pendant 12 à 15 heures de moteur. Ne pas faire tourner le moteur à sa vitesse nominale maximale. De plus, ne pas exposer le moteur à des périodes prolongées de charge élevée.
- Vidanger l'huile et remplacer le filtre. Vérifier l'huile et le filtre à huile de nouveau afin de repérer toute particule étrangère pour s'assurer que le moteur fonctionne correctement.
- Ne pas utiliser d'huile synthétique pour le rodage. Il est conseillé d'utiliser de l'huile moteur synthétique après la deuxième vidange d'huile et le kilométrage recommandé. Dans les régions plus froides, une viscosité inférieure de l'huile peut être nécessaire pour un meilleur écoulement de l'huile.
- L'huile moteur synthétique Mobil 1 5w30 a été utilisée pour les essais dynamométriques et de résistance.

SP350-357 Deluxe Engine

REV 190C20

PART No.

19367083

SHEET

11 of 24

ALL INFORMATION WITHIN ABOVE BORDER TO BE PRINTED EXACTLY AS SHOWN ON 8.5 x 11 WHITE 16 POUND NON-BOND RECYCLABLE PAPER. PRINT ON BOTH SIDES. EXCLUDING TEMPLATES. TO BE UTILIZED IN ACCORDANCE WITH GMCCA SPECIFICATIONS.

Date

30MR17

Revision

Init Rel – Jim Covey

Auth

NA

DR

190C20

Rev – Alin Dragoiu

NA

**Title Installation Instructions
SP350-357 Deluxe Engine**

PART No. **19367083**

SHEET 11 of 24



PERFORMANCE

Caractéristiques techniques du moteur de luxe SP350/357

Cylindrée	350 pouces cubes
Alésage x course	4,00 pouces x 3,48 pouces
Compression	9.1:1
Bloc	Fonte, boîtier intermédiaire à quatre boulons
Culasse	Fonte, angle de soupape de 23°
Diamètre des soupapes (admission et échappement).....	1,94 po/1,50 po
Volume de chambre	64 cc
Vilebrequin	Fonte nodulaire, joint arrière en 1 parties
Bielles	Métal fritté forgé, boulons 3/8 po
Pistons	Fonte d'aluminium
Arbre à cames	Galet suiveur hydraulique
Levée	0,473 po admission, 0,473 po échappement
Durée	Admission 215°, échappement 223° à levée de poussoir de 0,050 po
Ligne médiane	Admission ApPMH 109°, échappement AvPMH 107°
Rapport des culbuteurs	1.5:1 (poussoir plat)
Chaîne de distribution	Galet robuste
Carter d'huile	4 pintes
Pression d'huile (normal)	40 psi à 2 000 tr/min
Filtre à l'huile	Numéro de pièce AC Delco - 25324052 ou PF454
Carburant	Premium sans plomb
Régime maximal du moteur	5 600 tr/min
Bougies d'allumage	AC Delco n° R43LTS
Timing des étincelles	PMH de 32 degrés à 4 000 tr/min
Ordre d'allumage	1-8-4-3-6-5-7

Remarque : L'information peut varier selon l'application. Toutes les spécifications énumérées sont basées sur les plus récentes données de production disponibles à la date d'impression

Pièces supplémentaires pouvant être requises :

Volant moteur / tôle d'entraînement :

Comme tous les moteurs V8 à bloc compact produits depuis 1986, le moteur de luxe SP350/357 présente un schéma de boulonnage de bride de volant moteur de 3,00 po de diamètre. Les moteurs V8 à petit bloc produits entre 1958 et 1985 ont des boulons de flasque de volant moteur de 3,58 po de diamètre. Cette modification du diamètre du cercle de boulonnage a permis de poser un joint d'étanchéité de vilebrequin arrière monobloc. En raison des modifications techniques du vilebrequin, un moteur de luxe SP350/357 doit posséder un volant moteur ou une tôle d'entraînement à contrepoids pour assurer un bon équilibrage. Le moteur de luxe SP350/357 comprend une tôle d'entraînement numéro de pièce 14088765. Les volants moteur et les plateaux d'entraînement flexibles supplémentaires sont indiqués dans le tableau ci-dessous.

Moteur de luxe SP350/357 - Volants moteurs de boîte de vitesse manuelle

Numéro de pièce	Diamètre extérieur	Diamètre d'embrayage	Dents de couronne de démarreur	Remarques
14088648	14 po	11,0, 11,85 po	168	Pour joint de vilebrequin monopieèce
14088646	12 3/4 po	10.4	153	Volant moteur en fonte ductile légère, poids approximatif de 16 lb; pour joint de vilebrequin monopieèce
14088650	12 3/4 po	10,4 po	153	Volant moteur de poids standard; pour joint de vilebrequin monopieèce

Moteur de luxe SP350/357 - Tôles d'entraînement de boîte de vitesse automatique

Numéro de pièce	Diamètre extérieur	Convertisseur de couple	Dents de couronne de démarreur	Remarques
14088765	12 3/4 po	10,75 po	153	Pour joint de vilebrequin monopieèce
12554824	14 po	11,50 po	168	Tôle d'entraînement robuste à épaisseur accrue pour joint de vilebrequin monopieèce
14088761	14 po	10,75, 11,50 po	168	Pour joint de vilebrequin monopieèce

SP350-357 Deluxe Engine

REV 190C20

PART No.

19367083

SHEET

12 of 24

ALL INFORMATION WITHIN ABOVE BORDER TO BE PRINTED EXACTLY AS SHOWN ON 8.5 x 11 WHITE 16 POUND NON-BOND RECYCLABLE PAPER. PRINT ON BOTH SIDES. EXCLUDING TEMPLATES. TO BE UNITIZED IN ACCORDANCE WITH GMCCA SPECIFICATIONS.

Date	Revision	Auth	DR
30MR17	Init Rel – Jim Covey	NA	
190C20	Rev – Alin Dragoiu	NA	

Title **Installation Instructions**
SP350-357 Deluxe Engine

PART No. 19367083

SHEET 12 of 24



Roulement-guide :

On doit installer un roulement-guide derrière le vilebrequin si l'on prévoit utiliser le moteur conjointement avec une boîte manuelle. Le roulement-guide aligne l'arbre primaire de la boîte de vitesses avec l'axe central du vilebrequin. Un roulement-guide usé ou désaligné peut provoquer des anomalies de changement de vitesse et une usure rapide de l'embrayage. Un roulement-guide à rouleaux numéro de pièce 14061685 est recommandé pour ce moteur. Ce roulement hautement résistant donne une marge de fiabilité supplémentaire à la transmission à hautes performances.

Démarrreur :

Le démarreur doit correspondre au diamètre du volant moteur (ou de la tôle d'entraînement) pour le montage de l'ensemble moteur SP350/357. Les petits volants moteur ont un diamètre de 12 3/4 po et des couronnes de démarreur à 153 dents. Les grands volants moteur ont un diamètre de 14 po et ont 168 dents sur la couronne du démarreur. Cette différence de diamètre des volants moteur nécessite deux boîtiers de démarreur différents. Les nez de démarreur utilisés avec des volants moteur de 14 po de diamètre ont deux orifices de boulons décalés; les démarreurs utilisés avec des volants moteur de 12 3/4 po de diamètre ont des orifices de boulons en ligne droite.

REMARQUE : Les démarreurs Chevrolet utilisent des boulons de fixation à épaulement spéciaux, qui indiquent le démarreur sur le bloc.

Les démarreurs et le matériel suivants peuvent être utilisés avec l'ensemble moteur SP350/357 :

- 10496870 Démarreur haute résistance, remis à neuf pour volant moteur/plateau d'entraînement flexible de 12 3/4 po de diamètre
- 1876552 Démarreur haute résistance pour volant moteur/tôle d'entraînement de 14 po de diamètre
- 14097278 Boulon, fixation du démarreur, long, pour démarreur haute résistance
- 14097279 Boulon, fixation du démarreur, court, pour démarreur haute résistance
- 10455709 Démarreur, démultiplication à aimant permanent (PMGR) remis à neuf pour volant moteur/plateau d'entraînement flexible de 12 po 3/4 de diamètre (10 lb)
- 19302919 Démarreur, démultiplication à aimant permanent (PMGR) pour volant moteur/tôle d'entraînement de 14 po (10 lb)
- 14037733 Boulon, fixation du démarreur, intérieur pour démarreur PMGR de 12 3/4 po
- 12338064 Boulon, fixation du démarreur, extérieur pour démarreur PMGR de 12 3/4 po; également pour démarreur PMGR de 14 po (2 nécessaires)

Pompe à carburant :

Le moteur de luxe SP350/357 ne comporte pas de pompe à carburant. Il est cependant doté d'un bossage de pompe à carburant mécanique recouvert d'une plaque d'obturation de bloc. Le circuit d'alimentation en carburant doit être en mesure de fournir un volume de carburant adéquat à une pression minimale de 6 psi lorsque le moteur fonctionne à plein gaz (WOT). Une pompe à carburant électrique à haut volume est offerte par Chevrolet Performance (numéro de pièce 25115899). Le débit de cette pompe à haut rendement est de 72 gallons par heure à une pression de sortie de 6-8 psi.

Collecteurs d'échappement :

Un moteur de luxe SP350/357 peut être équipé d'un système de collecteur d'échappement pour des performances maximales dans des applications pour lesquelles un système ne produisant pas d'échappement est légal. Pour des performances en vile et des applications limitées en compétition, la configuration recommandée pour le collecteur d'échappement est faite de tuyaux primaires de 1 3/4 po de diamètre, de 32 à 36 pouces de long, avec des collecteurs de 3 po de diamètre. Utiliser des tuyaux d'échappement arrière de 2 po 1/2 avec un tube d'équilibrage (tuyau en « H ») et des silencieux à faible obstruction.

Supports d'entraînement des accessoires :

Des trousseaux d'entraînement d'accessoires adaptables au moteur de luxe SP350/357 sont disponibles chez Chevrolet Performance. Veuillez visiter le concessionnaire Chevrolet Performance ou visiter le site Web à l'adresse www.chevroletperformance.com.

Bougies d'allumage / Câbles de bougies :

Le moteur de luxe SP350/357 est livré avec des bougies d'allumage numéro de pièce 19300749 (AC n° R44LTS). Pour monter le moteur sur un véhicule équipé à l'origine d'un V8 à bloc compact avec allumage HEI, il est possible d'utiliser des fils de bougies standard de rechange. Les jeux de câbles haute performance de bougies d'allumage d'un diamètre de 8 mm recommandés sont les câbles portant le logo de nœud papillon Chevrolet numéro de pièce 12361051 (coiffes de bougies de 90°) et les câbles GM Racing numéro de pièce 24502521 (coiffes de bougies de 135°). Les ensembles d'amorçage de bougie d'allumage de 135° sont conseillés lors de l'acheminement des fils de bougie sur les cache-culbuteurs; les ensembles d'amorçage de bougie d'allumage de 90° sont conseillés pour l'acheminement des fils de bougie sous les collecteurs d'échappement.

Cache-culbuteurs :

Le moteur de luxe SP350/357 est doté de cache-culbuteurs en acier estampé à boulon de fixation central peint en noir. Un large choix de cache-soupapes est disponible chez votre concessionnaire Chevrolet Performance ou consulter le site web www.chevroletperformance.com.

SP350-357 Deluxe Engine

REV 190C20

PART No.

19367083

SHEET

13 of 24

ALL INFORMATION WITHIN ABOVE BORDER TO BE PRINTED EXACTLY AS SHOWN ON 8.5 x 11 WHITE 16 POUND NON-BOND RECYCLABLE PAPER. PRINT ON BOTH SIDES, EXCLUDING TEMPLATES. TO BE UNITIZED IN ACCORDANCE WITH GMCCA SPECIFICATIONS.

Date	Revision	Auth	DR
30MR17	Init Rel – Jim Covey	NA	
190C20	Rev – Alin Dragoiu	NA	

**Title Installation Instructions
SP350-357 Deluxe Engine**

PART No. 19367083

SHEET 13 of 24



PERFORMANCE

Numéro de pièce	QTÉ	Nom
19367082	1	Ens Moteur Vortec cyl. 350/357 HP
12676887	1	Ens. tubulure d'admission
89017465	1	Trousse de joint, tubulure d'admission
10202456	1	Ens. thermostat-Refroidissement moteur
10108470	1	Sortie d'eau
10105135	1	Joint-Sortie d'eau
93440806	1	Ens. allumeur
19301706	1	Ens. amortisseur de vibrations de torsion
09440024	1	Boulon, arbre d'équilibrage
12594364	1	Rondelle de moyeu de poulie de vilebrequin
14088765	1	Tôle d'entraînement
14088764	6	Boulon/vis, volant moteur
6487779	1	Ens. soupape d'aération de carter moteur
19300749	8	Bougie d'allumage
12361051	1	Trousse de fils, bougie d'allumage V8 à bloc compact 90°
12342011	1	Languette chromée d'avance à l'allumage
19170092	1	Ens. carburateur 4 corps, 670 cfm
12342080	1	Ensemble de filtre à air, chromée
12453170	1	Palier, arbre à cames n° 1
12453171	2	Palier, arbre à cames n° 2 et n° 5
12453172	2	Palier, arbre à cames n° 3 et n° 4
3956686	3	Chapeau, palier de vilebrequin
12561388	10	Boulon/vis, chapeau de palier de vilebrequin
3877669	6	Boulon/vis, chapeau de palier de vilebrequin
10120990	3	Palier-vilebrequin sup/inf
89060460	1	Palier (de butée) supérieur/inférieur de vilebrequin
10168527	16	Boulon/vis, culasse (court)
10168526	4	Boulon/vis, culasse (moyen)
10168525	14	Boulon/vis, culasse (long)
10105117	2	Joint-culasse
12551154	1	Ens. tube indicateur de niveau d'huile
12551144	1	Jauge d'huile (indicateur de niveau d'huile)
10046089	2	Joint de couvercle de culbuteur de soupape
10243070	1	Vilebrequin
14061685	1	Roulement-guide d'embrayage
14080362	1	Goujon de retenue de bague d'étanchéité arrière de vilebrequin
106751	2	Clavette, vilebrequin
10108688	8	Ensemble-bielle
12514101	8	Ens. piston (avec axe et segments)
88894219	8	Trousse de segments
12493713	8	Trousse de palier, bielle
12561389	3	Goujon, chapeau de palier de vilebrequin
12557558	1	Carter d'huile
12553058	1	Renfort, carter d'huile
12553059	1	Renfort, carter d'huile
10108676	1	Joint-carter d'huile
12550042	1	Ens. tamis de pompe à huile

SP350-357 Deluxe Engine

REV 190C20

PART No.

19367083

SHEET

14 of 24

ALL INFORMATION WITHIN ABOVE BORDER TO BE PRINTED EXACTLY AS SHOWN ON 8.5 x 11 WHITE 16 POUND NON-BOND RECYCLABLE PAPER. PRINT ON BOTH SIDES EXCLUDING TEMPLATES. TO BE UNITIZED IN ACCORDANCE WITH GMCCA SPECIFICATIONS.

Date	Revision	Auth	DR
30MR17	Init Rel – Jim Covey	NA	
190C20	Rev – Alin Dragoiu	NA	

**Title Installation Instructions
SP350-357 Deluxe Engine**

PART No. **19367083**

SHEET 14 of 24



PERFORMANCE

93442037	1	Ens. pompe à huile
10168528	1	Ens. couvercle de pompe à huile
3998287	1	Arbre-entraînement de pompe à huile
3764554	1	Support de maintien-arbre d'entraînement de la pompe à huile
12554816	1	Déflexeur d'huile de vilebrequin
12558060	2	Ens. culasse (avec soupapes)
10241743	8	Soupape, admission
12550909	8	Ens soupape, Échappement
10212811	16	Ressort, soupape
3814692	Selon le besoin	Pivot à rotule de culbuteur (0,003 po Os)
3815892	Selon le besoin	Pivot à rotule de culbuteur (0,013 po Os)
24503856	32	Clavette, tige de soupape
10212810	8	Bague d'étanchéité d'huile de tige de soupape d'admission
12564852	8	Bague d'étanchéité d'huile de tige de soupape d'échappement
10241744	16	Bouchon, Ressort de soupape
12342089	1	Couvercle avant du moteur - Chromé
10108435	1	Joint-Couvercle de distribution avant
14088784	1	Pignon-vilebrequin
12552129	1	Pignon-arbre à cames
14088783	1	Ensemble de chaîne-de distribution
12677151	1	Arbre à cames, poussoir à galet hydraulique
10241740	16	Ens. tige de poussoir de soupape
17120735	16	Ensemble de poussoir-de soupape
10066063	16	Culbuteur de soupape
10144053	16	Rotule, Culbuteur de soupape
12557390	16	Écrou, Culbuteur de soupape
12555289	1	Trousse de couvercle, cache-soupapes - noir
12550002	8	Guide, poussoir de soupape
14101116	1	Retenue, guide de poussoir de soupape
14093637	5	Boulon/vis, guide de poussoir de soupape
10168501	1	Retenue, arbre à cames
9424877	3	Boulon, pignon d'arbre à cames

Remarque : Tous les composants peuvent varier en fonction des modifications en cours.

SP350-357 Deluxe Engine

REV 190C20

PART No.

19367083

SHEET

15 of 24

ALL INFORMATION WITHIN ABOVE BORDER TO BE PRINTED EXACTLY AS SHOWN ON 8.5 x 11 WHITE 16 POUND NON-BOND RECYCLABLE PAPER. PRINT ON BOTH SIDES, EXCLUDING TEMPLATES. TO BE UNITIZED IN ACCORDANCE WITH GMCCA SPECIFICATIONS.

Date	Revision	Auth	DR
30MR17	Init Rel – Jim Covey	NA	
190C20	Rev – Alin Dragoiu	NA	

**Title Installation Instructions
SP350-357 Deluxe Engine**

PART No. **19367083**

SHEET 15 of 24



Especificaciones de motor SP350/357 Deluxe

Número de parte de especificaciones 19367083

Esta documentación de Motor armado SP350/357 Deluxe se debe usar junto con la hoja de instrucciones de bloque largo SP350/357. La documentación incluida dentro de este paquete de información constituye la información del bloque largo SP350/357. Por favor localice la información de bloque largo SP350/357 y comience ahí. Ésta es la segunda sección de la instrucción para el ensamble de motor SP350/357 deluxe.

Gracias por elegir Chevrolet Performance como su fuente de alto desempeño. Chevrolet Performance está comprometido a proporcionar tecnología de desempeño comprobada e innovadora que en realidad... sea más que sólo potencia. Las partes de Chevrolet Performance están diseñadas, desarrolladas y probadas para exceder sus expectativas de ajuste y función. Por favor consulte nuestro catálogo respecto al centro autorizado de Chevrolet Performance Parts más cercano a usted o visite nuestra página en Internet www.chevroletperformance.com.

Esta publicación brinda información general sobre los componentes y procedimientos que pueden ser útiles al instalar o dar servicio a un motor SP350/357 Deluxe. Por favor lea esta publicación completa antes de comenzar el trabajo. Además, por favor verifique que todos los componentes indicados en la sección de contenido de paquete a continuación se enviaran en el juego.

La siguiente información se divide en las siguientes secciones: contenido del paquete, información de componente, especificaciones de Motor de SP350/357 Deluxe, partes adicionales que puede necesitar comprar, especificaciones de apriete, y una lista de partes de servicio.

El motor SP350/357 Deluxe incorpora tecnología moderna en un paquete que se puede instalar en aplicaciones donde se usaba originalmente un motor V-8 de bloque pequeño Chevrolet de 265-400ci. Este motor completo se ensambla utilizando componentes nuevos de primera calidad. Debido a la amplia variedad de vehículos en los que se puede instalar un motor SP350/357 Deluxe; algunos procedimientos y recomendaciones pueden no aplicar a aplicaciones específicas.

El motor SP350/357 Deluxe está fabricado en herramientas de producción actuales; en consecuencia, puede encontrar diferencias entre el ensamble de motor SP350/357 Deluxe y versiones previas del V-8 de bloque pequeño. En general, elementos tales como los montajes de motor, transmisiones auxiliares, múltiples de escape, etc. se puede transferir a un SP350/357 Deluxe cuando esté instalado en un vehículo equipado originalmente con un motor V-8 de bloque pequeño. Sin embargo, como se observa en las siguientes secciones, puede haber diferencias menores entre un motor SP350/357 Deluxe y un motor V-8 de bloque pequeño anterior. Estas diferencias pueden requerir modificaciones o componentes adicionales no incluidos con el motor SP350/357 Deluxe. Cuando instale un motor SP350/357 Deluxe en un vehículo no equipado originalmente con un V-8 de bloque pequeño, puede ser necesario adaptar o fabricar varios componentes para los sistemas de enfriamiento, combustible, eléctrico y de escape.

No se pretende que estas especificaciones reemplacen las prácticas de servicio completas y detalladas explicadas en los manuales de servicio de Chevrolet. Para información sobre cobertura de la garantía, por favor póngase en contacto con su concesionario local de Chevrolet Performance.

Observe todas las precauciones de seguridad y advertencias de los manuales de servicio durante la instalación de un motor SP350/357 Deluxe en cualquier vehículo. Utilice protección para los ojos y ropa de protección adecuada. Cuando trabaje debajo o alrededor del vehículo, apóyelo firmemente con soportes de gato. Sólo use las herramientas adecuadas. Tenga mucha precaución cuando trabaje con líquidos y materiales inflamables, corrosivos y peligrosos. Algunos procedimientos requieren equipo y habilidades especiales. Si no tiene la capacitación, experiencia, y herramientas apropiadas para realizar cualquier parte de esta conversión con seguridad, este trabajo debe ser realizado por un profesional.

La información contenida en esta publicación se presenta sin ninguna garantía. El usuario asume completamente todo el riesgo por su uso. El diseño de componentes específicos, los procedimientos mecánicos, y las calificaciones de los lectores están más allá del control del editor, y por lo tanto el editor declina cualquier responsabilidad incurrida en conexión con el uso de la información provista en esta publicación.

SP350-357 Deluxe Engine

REV 190C20

PART No.

19367083

SHEET

16 of 24

ALL INFORMATION WITHIN ABOVE BORDER TO BE PRINTED EXACTLY AS SHOWN ON 8.5 x 11 WHITE 16 POUND NON-BOND RECYCLABLE PAPER. PRINT ON BOTH SIDES, EXCLUDING TEMPLATES. TO BE UNITIZED IN ACCORDANCE WITH GMCCA SPECIFICATIONS.

Date	Revision	Auth	DR
30MR17	Init Rel – Jim Covey	NA	
190C20	Rev – Alin Dragoiu	NA	

Title Installation Instructions
SP350-357 Deluxe Engine

PART No. 19367083

SHEET 16 of 24



Información legal y sobre emisiones

Esta publicación ha sido diseñada para proporcionar información acerca del motor SP350/357 Deluxe y componentes relacionados. Este manual también describe los procedimientos y modificaciones que pueden ser útiles durante la instalación de un motor SP350/357 Deluxe. No está diseñada para sustituir a los exhaustivos manuales de servicio y catálogos de partes que cubren los motores y componentes Chevrolet. Más bien, está diseñada para brindar información complementaria en áreas de interés para los entusiastas del "hágalo usted mismo" y los mecánicos.

Esta publicación concierne a motores y vehículos que se utilizan fuera de las carreteras públicas, excepto cuando se indica específicamente lo contrario. La ley federal restringe el retiro de cualquier parte de un sistema de control de emisiones requerido por orden federal de los vehículos de motor. Más aún, muchos estados han promulgado leyes que prohíben alterar o modificar cualquier sistema de control de emisiones o ruidos. Los vehículos que no son operados en carreteras públicas generalmente están exentos de la mayoría de las normas, al igual que algunos vehículos de interés especial y pre-emisiones. Se le exhorta atentamente al lector verificar todas las leyes locales y estatales aplicables.

Muchas de las partes descritas o indicadas en este manual se comercializan para su aplicación fuera de carretera únicamente, y están etiquetadas con el "Aviso sobre Partes Especiales" que se reproduce aquí:

Aviso sobre Partes Especiales

Esta parte ha sido diseñada específicamente para aplicación fuera de carretera únicamente. Debido que la instalación de esta parte puede afectar el desempeño del control de emisiones de su vehículo o dejarlo fuera de certificación según los Estándares de seguridad de vehículos de motor, no se debe instalar en un vehículo que se utilice en cualquier calle o carretera. Adicionalmente, cualquier aplicación tal puede afectar adversamente la cobertura de la garantía de tales vehículos para aplicación en calles o carreteras.

Chevrolet, Chevy, el Emblema de Corbatín Chevrolet, General Motors, y GM son marcas comerciales registradas de General Motors LLC.

Contenido del paquete:

Ítem	Descripción	Cantidad
1	Conjunto del motor	1
2	Instrucciones de bloque largo	1
3	Instrucciones Deluxe	1

Especificaciones de apriete de motor SP350/357 Deluxe:

Perno/tornillo de retenedor de árbol de levas.....	106 pulg. lb. / 12 N·m
Perno/tornillo de rueda dentada de árbol de levas.....	18 pies lb. / 25 N·m
Tuerca de biela006" perno estirado preferido 20 pies lb. + 55° adicionales (45 pies lb. si no hay un indicador de ángulo disponible)/ 27 N·m + 55° adicionales (61 N·m si no hay indicador de ángulo disponible)
Perno/tornillo de balanceador de cigüeñal	63 pies lb. / 85 N·m
Polea de balanceador de cigüeñal.....	35 pies lb. / 47 N·m
Perno prisionero/tornillo y perno de cojinete de cigüeñal Interno.....	70 pies lb. Externo: 65 pies lb. / Interno: 95 N·m Externo: 88 N·m
Tuerca/perno/tornillo de alojamiento de sello de aceite trasero de cigüeñal	11 pies lb. / 15 N·m
Perno/tornillo de culata de cilindro	65 pies lb. / 88 N·m
Perno/tornillo de distribuidor	25 pies lb. / 34 N·m
Tapón de drenaje	15 pies lb. / 20 N·m
Tapón de galería de aceite de bloque de motor.....	15 pies lb. / 20 N·m
Perno/tornillo de cubierta delantera de motor.....	97 pulg. lb. / 11 N·m
Perno/tornillo de volante de inercia	65-70 pies lb. / 88-95 N·m
Perno/tornillo y pasador de múltiple de admisión Apriete final.....	11 pies lb. / 15 N·m
Perno/tornillo de adaptador de filtro de aceite	18 pies lb. / 24 N·m
Perno/tornillo de tubo de indicador de nivel de aceite. Ensamble de cárter de aceite	106 pulg. lb. / 12 N·m
Tuerca/perno/tornillo de esquina	15 pies lb. / 20 N·m
Perno/tornillo de riel lateral.....	97 pulg. lb. / 11 N·m
Tuerca de deflector de aceite.....	30 pies lb. / 40 N·m
Tapón de drenaje de cárter de aceite.....	15 pies lb. / 20 N·m
Perno/tornillo de bomba de aceite a tapa de cojinete de cigüeñal trasero	66 pies lb. / 90 N·m
Perno/tornillo de cubierta de bomba de aceite	80 pulg. lb. / 9 N·m
Bujía	15 pies lb. / 20 N·m (asiento cónico)
Perno/tornillo de motor de arranque.....	35 pies lb. / 48 N·m
Perno/tornillo de retenedor de guía de elevador de válvula	18 pies lb. / 24 N·m
Perno/tornillo de bomba de agua	30 pies lb. / 40 N·m

SP350-357 Deluxe Engine

REV 190C20

PART No.

19367083

SHEET

17 of 24

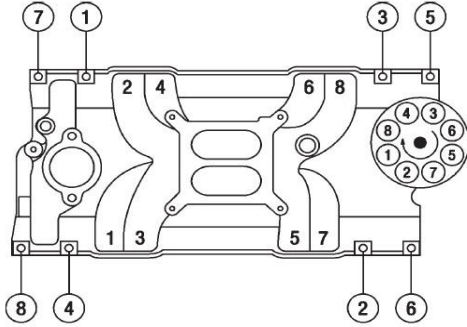
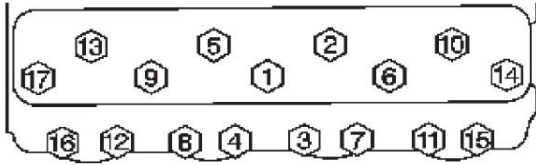
ALL INFORMATION WITHIN ABOVE BORDER TO BE PRINTED EXACTLY AS SHOWN ON 8.5 x 11 WHITE 16 POUND NON-BOND RECYCLABLE PAPER. PRINT ON BOTH SIDES EXCLUDING TEMPLATES. TO BE UNITIZED IN ACCORDANCE WITH GMCCA SPECIFICATIONS.

Date	Revision	Auth	DR
30MR17	Init Rel – Jim Covey	NA	
190C20	Rev – Alin Dragoiu	NA	

Title **Installation Instructions**
SP350-357 Deluxe Engine

PART No. 19367083

SHEET 17 of 24



ORDEN DE ENCENDIDO: 1-8-4-3-6-5-7-2

Información sobre los componentes:

Culatas de cilindro:

El motor 350HO Deluxe tiene culatas de cilindro de hierro fundido Vortec. Estas culatas de cilindro se usaron primero en camionetas 1996 con inyección de combustible de puerto, RPO L31. Los puertos de admisión y escape son muy similares a las culatas del Corvette 350 LT1. Las culatas tienen válvulas de admisión de 1.94" y válvulas de escape de 1.50" con pernos de 3/8" prensados. Los pasajes de agua son los mismos que el diseño original de Chevy de bloque pequeño de 1955. Estas culatas de cilindro tienen un patrón de montaje de múltiple de admisión de ocho (8) pernos, cuatro (4) pernos por culata de cilindro.

Múltiple de admisión:

Este juego viene con un múltiple de admisión de plano dual de Chevrolet Performance número de parte Chevrolet 12676887 diseñado para uso con culatas de cilindro Vortec. Este múltiple de admisión se diseñó para usar carburadores Holley o Quadrajét. No tiene provisiones para estrangulador de aire caliente.

Sistema de ignición:

El distribuidor HEI (Ignición de alta energía) número de parte 93440806 incluido con el motor SP350/357 Deluxe es un sistema de ignición auto-contenido que incluye un sensor magnético, un módulo, una bobina, un rotor y una tapa. La tapa de diámetro grande de HEI minimiza el arco y encendido cruzado entre las terminales de bujía adyacentes. Las terminales macho de la tapa proporcionan una conexión positiva confiable para los conductores de la bujía. Sin embargo, la tapa de diámetro grande de HEI puede interferir con otros componentes debajo del cofre en vehículos no equipados originalmente con sistemas de ignición HEI.

Revise el espacio adecuado antes de la instalación. Este distribuidor HEI tiene un mecanismo de impulso endurecido que es compatible con el árbol de levas de acero. El uso de un mecanismo de distribuidor no endurecido resultará en desgaste excesivo. El sistema HEI requiere un suministro de energía de 12 voltios para operación adecuada. El sistema de ignición HEI se debe conectar directamente a la batería con alambre calibre 10 o 12 a través de un interruptor de ignición de alta calidad. Si instala una ignición HEI en un vehículo de modelo anterior equipado originalmente con una ignición de tipo punto, asegúrese de retirar o derivar el resistor en el arnés de cableado para asegurar que el HEI reciba 12 voltios continuamente. Use el paquete de conector de distribuidor, número de parte 12167658, que incluye conectores y cables para el tacómetro y terminales de 12 voltios de HEI.

Ajuste la sincronización de chispa en 32° antes del centro muerto superior (BTDC) en 4,000 RPM con la línea de avance de vacío al distribuidor desconectado y conectado. Este ajuste producirá 32° de avance total en acelerador completamente abierto (WOT). El depósito de avance de vacío HEI debe permanecer desconectado. Este motor está diseñado para operar usando sólo el avance centrífugo interno para lograr la curva de sincronización correcta.

Cárter de aceite / Filtro / Adaptador / Varilla de medición:

El motor SP350/357 Deluxe incluye un cárter de aceite número de parte 12557558, el mismo cárter que el ZZ5 de producción. Éste es un cárter de aceite de varilla de medición a la derecha de cuatro cuartos y empaque.

El ensamble del motor SP350/357 Deluxe incluye un adaptador de filtro de aceite pero no un elemento de filtro de aceite. El SP350/357 usa un filtro de aceite AC # PF454.

La varilla de medición para el motor SP350/357 Deluxe está en el lado derecho (pasajero) del bloque y se incluye con el motor SP350/357 Deluxe.

SP350-357 Deluxe Engine

REV 190C20

PART No.

19367083

SHEET

18 of 24

ALL INFORMATION WITHIN ABOVE BORDER TO BE PRINTED EXACTLY AS SHOWN ON 8.5 x 11 WHITE 16 POUND NON-BOND RECYCLABLE PAPER. PRINT ON BOTH SIDES. EXCLUDING TEMPLATES. TO BE UTILIZED IN ACCORDANCE WITH GMCCA SPECIFICATIONS.

Date	Revision	Auth	DR
30MR17	Init Rel – Jim Covey	NA	
190C20	Rev – Alin Dragoiu	NA	

**Title Installation Instructions
SP350-357 Deluxe Engine**

PART No. 19367083

SHEET 18 of 24

**Carburador:**

Se incluye un carburador de cuatro barriles Holley de 670 cfm con secundarios operados por vacío y estrangulador eléctrico con el motor SP350/357 Deluxe. Puede necesitar cambiar los inyectores y/o ajustar su carburador para adaptarse a su ambiente (es decir, altitud, temperatura y humedad ambiente), configuración de sistema de escape y estilo de conducción.

NOTA: Para lograr la mejor distribución de Aire/Combustible mientras realiza la prueba de dinamómetro en la instalación de Desempeño y Carreras de GM, los chorros principales y la válvula eléctrica se instalaron en el carburador como sigue: CHORROS: 76 en PARTE TRASERA y 64 en la PARTE DELANTERA.
VÁLVULA ELÉCTRICA: 10.5 pulg. Hg

Bujías / Cables de bujías:

Las culatas de cilindro de hierro fundido del motor SP350/357 Deluxe tienen bujías rectas. Revise el espacio de la bujía y el cable cuando use múltiples de escape o cabezales post-venta diseñados para bujías rectas. Los cables de bujía, número de parte Chevrolet 12361051 se instalan en el motor SP350/357 Deluxe. Estos cables tienen fundas de bujía de 90°, y el logotipo de Chevrolet Performance.

Precaución

Este ensamble de motor necesita llenarse con aceite y cebarse. Debe agregar el aceite especificado (vea las instrucciones de arranque) a su nuevo motor. Revise el nivel de aceite del motor en la varilla de medición y agregue de manera acorde.

Procedimientos de arranque y de asentamiento.

1. Después de instalar el motor, asegúrese de que el cárter se haya llenado con el aceite para motor 10w30 (no sintético) hasta el nivel de llenado de aceite recomendado en la varilla de medición. Además, verifique y rellene conforme se requiera cualquier otro fluido necesario tal como refrigerante, líquido de dirección asistida, etc.
2. El motor se debe cebar con aceite antes de arrancar. Siga las instrucciones incluidas con la herramienta. Para cebar el motor, primero gire el motor al centro muerto superior (TDC) y retire el distribuidor para permitir acceso al eje de transmisión de la bomba de aceite. Observe la posición del distribuidor antes de la desinstalación. Instale la herramienta de cebado de aceite, 141-955 a partir de nuestro socio autorizado www.factoryperformanceparts.com. Con un motor de taladro de 1/2", gire la herramienta de cebado de aceite de motor durante tres minutos. Mientras está cebando el motor, pida que alguien más gire el cigüeñal en sentido contrario a las manecillas del reloj para suministrar aceite a través del motor y a todas las superficies de cojinete antes que se arranque inicialmente el motor. Ésta es la manera segura de que llegue el aceite a los cojinetes antes de arrancar el motor por primera vez. Además, cebe el motor si permanece asentado por periodo extendidos de tiempo. Instale el Distribuidor como sigue: (1) Localice el centro muerto superior (TDC) del cilindro #1. (2) Gire el motor a 12 grados antes del centro muerto superior (BTDC). (3) Alinee el rotor con la terminal del cilindro #1 en el Distribuidor.
 - a. Después que el motor se haya instalado en el vehículo, vuelva a verificar el nivel de aceite y agregue aceite conforme se requiera. También es una buena práctica volver a verificar la sincronización de ignición después de la desinstalación y reinstalación del distribuidor. Vea el paso 4 o las especificaciones del motor respecto a la información de sincronización correcta.
3. La seguridad primero. Si el vehículo está en el suelo, asegúrese de poner el freno de emergencia y de que las ruedas y la transmisión estén bloqueadas. Verifique que todo esté instalado correctamente y que no falte nada.
4. Arranque el motor y ajuste la sincronización de chispa inicial. Ajuste la sincronización de chispa en 32 grados antes del centro muerto superior (BTDC) en 4,000 RPM con la línea de avance de vacío al distribuidor desconectado y conectado. El depósito de avance de vacío HEI debe permanecer desconectado. Este motor está diseñado para operar usando sólo el avance centrífugo interno para lograr la curva de sincronización correcta. Gire el distribuidor en sentido contrario a las manecillas del reloj para avanzar la sincronización.
5. Cuando sea posible, siempre debe permitir que el motor se caliente antes de empezar a conducir. Es una buena práctica dejar que la temperatura del cárter del aceite y del agua llegue a 180°F antes de levantar cargas pesadas o de acelerar a fondo.
6. Una vez que el motor esté caliente, ajuste la sincronización de avance total a 32° en 4,000 RPM.
7. El motor se debe conducir con diversas cargas y en diferentes condiciones las primeras 30 millas o una hora sin acelerador completamente abierto (WOT) o sin aceleraciones sostenidas a RPM altas.
8. Acelere cinco o seis veces a la mitad (50%) hasta unas 4,000 RPM y regrese a marcha en vacío (0% aceleración) con la velocidad puesta.
9. Acelere dos o tres veces a fondo (100% acelerador completamente abierto) hasta unas 4,000 RPM y regrese a marcha en vacío (0% aceleración) con la velocidad puesta.
10. Cambie el aceite y el filtro. Reemplace con aceite de motor 10w30 (no sintético) y un filtro de aceite AC Delco PF454. Revise si el aceite o el filtro tiene partículas extrañas para asegurar que el motor funcione correctamente.
11. Conduzca las siguientes 500 millas bajo condiciones normales o 12 a 15 horas. No opere el motor a su capacidad de velocidad máxima. De igual manera, no exponga el motor a periodos largos de carga pesada.
12. Cambie el aceite y el filtro. Nuevamente, revise si el aceite y filtro de aceite tienen partículas extrañas para asegurar que el motor funcione correctamente.
13. No use aceite sintético para asentamiento. Será adecuado usar aceite de motor sintético después del segundo cambio de aceite recomendado y acumulación de kilometraje. En regiones más frías, se puede requerir un aceite de menor viscosidad para mejores características de flujo.
14. Se usó aceite de motor sintético Mobil 1 5w30 para la prueba de dinamómetro y durabilidad.

SP350-357 Deluxe Engine**REV 190C20**

PART No.

19367083

SHEET

19 of 24

ALL INFORMATION WITHIN ABOVE BORDER TO BE PRINTED EXACTLY AS SHOWN ON 8.5 x 11 WHITE 16 POUND NON-BOND RECYCLABLE PAPER. PRINT ON BOTH SIDES. EXCLUDING TEMPLATES. TO BE UNFITTED IN ACCORDANCE WITH GMCCA SPECIFICATIONS.

Date	Revision	Auth	DR
30MR17	Init Rel – Jim Covey	NA	
190C20	Rev – Alin Dragoiu	NA	

Title Installation Instructions
SP350-357 Deluxe Engine

PART No. **19367083**SHEET **19 of 24**



PERFORMANCE

Especificaciones de motor SP350/357 Deluxe:

Desplazamiento	350 pulgadas cúbicas
Orificio x Carrera	4.00 pulg. x 3.48 pulg.
Compresión	9.1:1
Bloque	Hierro fundido, principal intermedio de cuatro pernos
Culata de cilindro	Hierro fundido, ángulo de válvula de 23°
Diámetro de válvula (Admisión/Escape)	1.94"/1.50"
Volumen de cámara	64cc
Cigüeñal	Hierro nodular, sello trasero de 1 pieza
Bielas	Forjado, metal en polvo, pernos de 3/8"
Pistones	Aluminio fundido
Árbol de levas	Seguidor de rodillo hidráulico
Elevación	0.473" admisión, 0.473" escape
Duración	215° admisión, 223° escape @ .050" de elevación del levantador
Línea central	109° ATDC admisión, 107° BTDC escape
Proporción del brazo balancín	1.5:1 (levantador plano)
Cadena de distribución	Rodillo de servicio pesado
Cárter de aceite	4 cuartos
Presión de aceite (Normal)	40 psi @ 2,000 RPM
Filtro de aceite	AC Delco parte # - 25324052 o PF454
Combustible	Premium sin plomo
Velocidad máxima del motor	5,600 RPM
Bujías	Parte AC Delco # R43LTS
Sincronización de chispa	32 grados BTDC @ 4,000 RPM
Orden de explosión	1-8-4-3-6-5-7

Nota: La información puede variar según la aplicación. Todas las especificaciones enumeradas están basadas en la información sobre la última producción disponible al momento de la impresión.

Partes adicionales que se pueden necesitar:

Volante de inercia / Placa flexible:

Como todos los motores V-8 de bloque pequeño producidos desde 1986, el motor SP350/357 Deluxe tiene un patrón de perno de brida de volante de inercia de 3.00" de diámetro. Los motores V-8 de bloque pequeño producidos desde 1958 hasta 1985 tenían un patrón de perno de brida de volante de inercia de 3.58". Esta cambio en el diámetro del círculo de perno se hizo para acomodar un sello principal trasero de una pieza resistente a fugas. Debido a revisiones en el diseño del cigüeñal, un motor SP350/357 Deluxe debe tener un volante de inercia con contrapeso (o placa flexible) para el balance adecuado. El motor SP350/357 Deluxe incluye una placa flexible número de parte 14088765. Los volantes de inercia y placas flexibles adicionales están disponibles a partir de la gráfica siguiente.

Motor SP350/357 Deluxe - Volantes de inercia de transmisión manual

SP350-357 Deluxe Engine		REV 190C20		PART No.	19367083	SHEET	20 of 24
ALL INFORMATION WITHIN ABOVE BORDER TO BE PRINTED EXACTLY AS SHOWN ON 8.5 x 11 WHITE 16 POUND NON-BOND RECYCLABLE PAPER. PRINT ON BOTH SIDES. EXCLUDING TEMPLATES. TO BE UNITIZED IN ACCORDANCE WITH GMCCA SPECIFICATIONS.	Date	Revision	Auth	DR	Title Installation Instructions SP350-357 Deluxe Engine		
	30MR17	Init Rel – Jim Covey	NA				
	190C20	Rev – Alin Dragoiu	NA		PART No. 19367083	SHEET 20 of 24	



PERFORMANCE

Número de parte	Diámetro externo	Diámetro de embrague	Dientes de corona dentada de motor de arranque	Notas
14088648	14"	11.0, 11.85"	168	Para sello de marcha de una pieza
14088646	12 3/4"	10.4	153	Volante de inercia de hierro nodular de peso ligero, pesa aproximadamente 16 libras; para sello de marcha de una pieza
14088650	12 3/4"	10.4"	153	Volante de inercia de peso estándar; para sello de marcha de una pieza

Motor SP350/357 Deluxe - Placas flexibles de transmisión automática

Número de parte	Diámetro externo	Patrón de convertidor de par	Dientes de corona dentada de motor de arranque	Notas
14088765	12 3/4"	10.75"	153	Para sello de marcha de una pieza
12554824	14"	11.50"	168	Placa flexible de servicio pesado con espesor incrementado para sello de marcha de una pieza
14088761	14"	10.75, 11.50"	168	Para sello de marcha de una pieza

Cojinete piloto:

Debe instalar un cojinete piloto en la parte trasera del cigüeñal si el motor se va a usar con una transmisión manual. El cojinete piloto alinea el eje de entrada de la transmisión con la línea central del cigüeñal. Un cojinete piloto gastado o mal alineado puede causar problemas con los cambios y un desgaste rápido del embrague. Se recomienda un cojinete piloto de rodillo número de parte 14061685 para este motor. Este cojinete de servicio pesado agrega un margen adicional de confiabilidad a un tren motriz de alto desempeño.

Motor de arranque:

El motor de arranque se debe empatar al diámetro del volante de inercia (o placa flexible) cuando se instale un ensamble de motor SP350/357. Los volantes de inercia de diámetro pequeño tienen 12-3/4" de diámetro, y tienen coronas dentadas de motor de arranque con 153 dientes. Los volantes de inercia de diámetro grande tienen 14" en diámetro, y tienen 168 dientes en la corona dentada del motor de arranque. Esta diferencia en diámetros de volante de inercia requiere dos alojamientos de motor de arranque diferentes. Las puntas de motor de arranque usadas con los volantes de inercia de 14" de diámetro tienen dos orificios de perno de compensación; los motores de arranque usados con volantes de inercia de 12 3/4" de diámetro tienen orificios de perno que son rectos y cruzan entre sí.

NOTA: Los motores de arranque Chevrolet usan pernos de montaje con reborde especial, que registran en motor de arranque sobre el bloque.

Los siguientes motores de arranque y hardware se pueden usar con el ensamble de motor SP350/357:

- 10496870 Motor de arranque refabricado de servicio pesado para volante de inercia/placa flexible de 12-3/4" de diámetro
- 1876552 Motor de arranque de servicio pesado para volante de inercia/placa flexible de 14" de diámetro
- 14097278 Perno, montaje de motor de arranque, largo, para motor de arranque de servicio pesado
- 14097279 Perno, montaje de motor de arranque, corto, para motor de arranque de servicio pesado
- 10455709 Motor de arranque de reducción de velocidad de imán permanente refabricado (PMGR) para volante de inercia/placa flexible de 12-3/4" (10 lbs.)
- 19302919 Motor de arranque de reducción de velocidad de imán permanente (PMGR) para volante de inercia/placa flexible de 14" (10 lbs.)
- 14037733 Perno, montaje de motor de arranque, interno para motor de arranque PMGR de 12 3/4"
- 12338064 Perno, montaje de motor de arranque, externo para motor de arranque PMGR de 12 3/4"; también para motor de arranque PMGR de 14" (se requieren 2)

Bomba de combustible:

El motor SP350/357 Deluxe no incluye una bomba de combustible. Sin embargo, tiene un cubo de bomba de combustible mecánica con una placa de bloqueo instalada. El sistema de combustible debe ser capaz de suministrar un volumen de combustible adecuado en una presión mínima de 6 psi cuando el motor está en operación en acelerador completamente abierto (WOT). Una bomba de combustible eléctrica en línea de alto volumen está disponible a partir de Chevrolet Performance, número de parte 25115899. Esta bomba de servicio pesado hace fluir 72 galones por hora en una presión de salida de 6-8 psi.

Cabezales:

Un motor SP350/357 Deluxe puede estar equipado con un sistema de escape de cabezal para desempeño máximo en aplicaciones donde un sistema de escape que no sea de producción sea legal. Para aplicaciones de desempeño en calle y competencia limitada, la configuración de cabezal recomendada es de tubos primarios de 1 3/4" de diámetro, 32 a 36 pulgadas de largo, con colectores de 3" de diámetro. Use tubos de escape de 2 1/2" de diámetro con un tubo de balance (tubo "H") y silenciadores de baja restricción.

Soportes de transmisión auxiliar:

Dos juegos de transmisión auxiliar están disponibles a partir de Chevrolet Performance para instalarse al motor SP350/357. Por favor consulte a su concesionario Chevrolet Performance o visítenos en Internet en www.chevroletperformance.com.

Bujías / Cables de bujías:

El motor SP350/357 Deluxe viene con bujías número de parte 19300749 (AC # R44LTS).

SP350-357 Deluxe Engine

REV 190C20

PART No.

19367083

SHEET

21 of 24

ALL INFORMATION WITHIN ABOVE BORDER TO BE PRINTED EXACTLY AS SHOWN ON 8.5 x 11 WHITE 16 POUND NON-BOND RECYCLABLE PAPER. PRINT ON BOTH SIDES. EXCLUDING TEMPLATES. TO BE UNITIZED IN ACCORDANCE WITH GMCCA SPECIFICATIONS.

Date	Revision	Auth	DR
30MR17	Init Rel – Jim Covey	NA	
190C20	Rev – Alin Dragoiu	NA	

Title **Installation Instructions**
SP350-357 Deluxe Engine

PART No. 19367083

SHEET 21 of 24



PERFORMANCE

Cuando se instale el motor en un vehículo equipado originalmente con un bloque V-8 pequeño con ignición HEI, se pueden usar cables de bujía de reemplazo estándar. Los números de parte de cables de Logotipo de Corbatín Chevrolet del juego de cables de bujía de 8 mm de diámetro de alto desempeño recomendados son 12361051 (fundas de bujía de 90°) y cable de Carreras GM 24502521 (fundas de bujía de 135°). Se recomiendan juegos de funda de la bujía de 135° cuando enrute los cables de la bujía sobre las cubiertas de válvula, se recomiendan juegos de funda de bujía de 90° cuando enrute los cables de bujía debajo de los cabezales de escape.

Cubiertas de estribo:

El motor SP350/357 Deluxe está equipado con cubiertas de balancín de perno de sujeción central de acero estampado pintadas de negro. Una amplia variedad de cubiertas de válvula está disponible en su concesionario Chevrolet Performance o visítenos en Internet en www.chevroletperformance.com.

SP350-357 Deluxe Engine**REV 190C20**

PART No.

19367083

SHEET

22 of 24

ALL INFORMATION WITHIN ABOVE BORDER TO BE PRINTED EXACTLY AS SHOWN ON 8.5 x 11 WHITE 16 POUND NON-BOND RECYCLABLE PAPER. PRINT ON BOTH SIDES, EXCLUDING TEMPLATES. TO BE UNITIZED IN ACCORDANCE WITH GMCCA SPECIFICATIONS.

Date	Revision	Auth	DR
30MR17	Init Rel – Jim Covey	NA	
190C20	Rev – Alin Dragoiu	NA	

**Title Installation Instructions
SP350-357 Deluxe Engine**

PART No. **19367083**

SHEET 22 of 24



PERFORMANCE

Número de parte	CANT.	Nombre
19367082	1	Ensamble de motor, 350cid/357hp Vortec
12676887	1	Paquete de múltiple, admisión
89017465	1	Juego de empaque, múltiple de admisión
10202456	1	Ensamble de termostato-Enfriamiento de motor
10108470	1	Salida-Agua
10105135	1	Empaque-Salida de agua
93440806	1	Ensamble de distribuidor
19301706	1	Ensamble de balanceador-Cigüeñal
09440024	1	Tornillo, Balanceador
12594364	1	Arandela-Cubo de polea de cigüeñal
14088765	1	Plato flexible
14088764	6	Perno/tornillo-Volante de inercia
6487779	1	Unidad de ensamble de válvula-Ventilación de cigüeñal
19300749	8	Bujía
12361051	1	Juego de cable, Bujía Sb/V8 90 De
12342011	1	Lengüeta, cromo de sincronización de motor
19170092	1	Paquete de carburador, 670 Cfm 4bb1
12342080	1	Juego de depurador de aire, Cromado
12453170	1	Cojinete, Árbol de levas #1
12453171	2	COJINETE, ÁRBOL DE LEVAS #2 y #5
12453172	2	COJINETE, ÁRBOL DE LEVAS #3 y #4
3956686	3	Tapa, cojinete de cigüeñal
12561388	10	Perno/Torillo, Cojinete de cigüeñal C
3877669	6	Perno/Torillo, Cojinete de cigüeñal C
10120990	3	Cojinete-Cigüeñal superior/inferior
89060460	1	Cojinete-Cigüeñal superior/inferior (empuje)
10168527	16	Perno/Tornillo-Culata de cilindro (corto)
10168526	4	Perno/Tornillo-Culata de cilindro (medio)
10168525	14	Perno/Tornillo, culata de cilindro (largo)
10105117	2	Empaque-Culata de cilindro
12551154	1	Ensamble de tubo-Indicador de nivel de aceite
12551144	1	Varilla de medición (Ensamble de indicador-Nivel de aceite)
10046089	2	Empaque-Cubierta de brazo de balancín de válvula
10243070	1	Cigüeñal
14061685	1	Cojinete, piloto de embrague
14080362	1	Perno-Retenedor de sello de aceite trasero de cigüeñal
106751	2	Cuña-Cigüeñal
10108688	8	Ensamble de biela
12514101	8	Ensamble de pistón (con pasador y anillos)
88894219	8	Juego de anillo
12493713	8	Juego de cojinete, Biela
12561389	3	Perno-Tapa de cojinete de cigüeñal
12557558	1	Cárter, aceite
12553058	1	Refuerzo-Cárter de aceite
12553059	1	Refuerzo-Cárter de aceite
10108676	1	Empaque-Cárter de aceite

SP350-357 Deluxe Engine

REV 190C20

PART No.

19367083

SHEET

23 of 24

ALL INFORMATION WITHIN ABOVE BORDER TO BE PRINTED EXACTLY AS SHOWN ON 8.5 x 11 WHITE 16 POUND NON-BOND RECYCLABLE PAPER. PRINT ON BOTH SIDES EXCLUDING TEMPLATES. TO BE UNITIZED IN ACCORDANCE WITH GMCCA SPECIFICATIONS.

Date	Revision	Auth	DR
30MR17	Init Rel – Jim Covey	NA	
190C20	Rev – Alin Dragoiu	NA	

Title Installation Instructions
SP350-357 Deluxe Engine

PART No. **19367083**

SHEET 23 of 24



PERFORMANCE

12550042	1	Ensamble de pantalla, Bomba de aceite
93442037	1	Ensamble de bomba, Aceite
10168528	1	Ensamble de cubierta, Bomba de aceite
3998287	1	Eje-Impulso de bomba de aceite
3764554	1	Retenedor-Eje de impulso de bomba de aceite
12554816	1	Deflector-Aceite de cigüeñal
12558060	2	Ensamble de culata, cilindro (con válvulas)
10241743	8	Válvula, Admisión
12550909	8	Ensamble de válvula, escape
10212811	16	Resorte, válvula
3814692	Conforme se requiera	Perno, bolsa de brazo de balancín de válvula (.003" Os)
3815892	Conforme se requiera	Perno, bolsa de brazo de balancín de válvula (.013" Os)
24503856	32	Cuña, vástago de válvula
10212810	8	Sello, Aceite de vástago de válvula de admisión
12564852	8	Sello, Aceite de vástago de válvula de escape
10241744	16	Tapa, Resorte de válvula
12342089	1	Cubierta, frente de motor - Cromo
10108435	1	Empaque-Cubierta delantera de motor
14088784	1	Rueda dentada-Cigüeñal
12552129	1	Rueda dentada-Árbol de levas
14088783	1	Ensamble de cadena-Sincronización
12677151	1	Árbol de levas, Elevador de rodillo hidráulico
10241740	16	Ensamble de biela-Empuje de válvula
17120735	16	Ensamble de elevador-Válvula
10066063	16	Brazo-Balancín de válvula
10144053	16	Bola-Brazo de balancín de válvula
12557390	16	Tuerca-Brazo de balancín de válvula
12555289	1	Juego de cubierta, Cubierta de válvula - Negra
12550002	8	Guía, elevador de válvula
14101116	1	Retenedor, guía de elevador de válvula
14093637	5	Perno/tornillo, Guía de elevador de válvula
10168501	1	Retenedor, árbol de levas
9424877	3	Perno, Rueda dentada de leva

Nota: Todos los componentes pueden variar debido a los cambios actuales.

SP350-357 Deluxe Engine

REV 190C20

PART No.

19367083

SHEET

24 of 24

ALL INFORMATION WITHIN ABOVE
BORDER TO BE PRINTED EXACTLY
AS SHOWN ON 8.5 x 11 WHITE 16
POUND NON-BOND RECYCLABLE
PAPER. PRINT ON BOTH SIDES,
EXCLUDING TEMPLATES. TO BE
UTILIZED IN ACCORDANCE WITH
GMCCA SPECIFICATIONS.

Date	Revision	Auth	DR
30MR17	Init Rel – Jim Covey	NA	
190C20	Rev – Alin Dragoiu	NA	

**Title Installation Instructions
SP350-357 Deluxe Engine**

PART No. 19367083

SHEET 24 of 24